

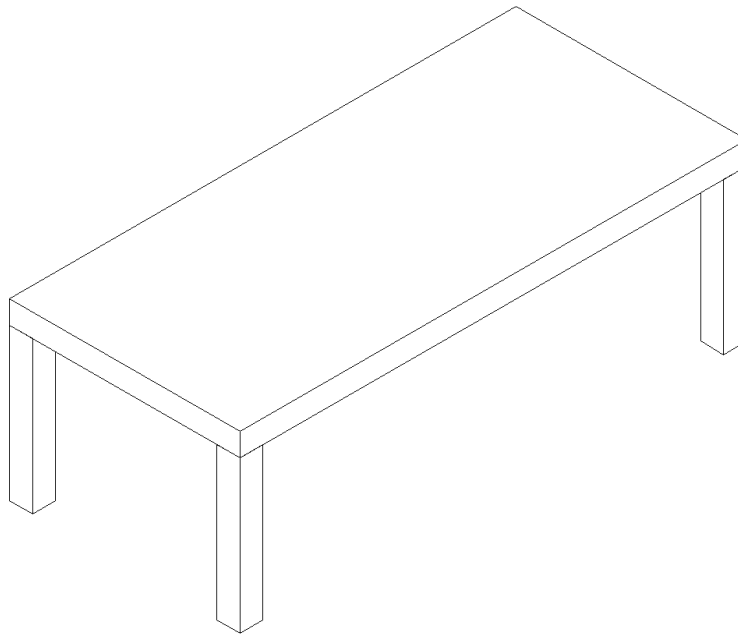
# MOE'S

home collection

## **ASSEMBLY INSTRUCTIONS.**

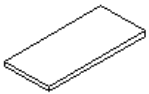

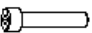


EVANDER DINING TABLE AGED OAK

**VL-1068-24**



THANK YOU FOR YOUR PURCHASE!

## PARTS AND HARDWARE.

NO.	DESCRIPTION	IMAGE	Q'TY
①	BODY		1
②	LEGS		4
③	BOLT M8x50		8
④	FLAT WASHER φ8-16		8
⑤	ALLEN KEY		1

## NOTES.

Thank you for purchasing this quality product! Be sure to check all packing material carefully for small part that may have come loose inside the carton during shipping.

**Caution:** The item is heavy, assembly should be performed by two people.

## STEP 1.

