

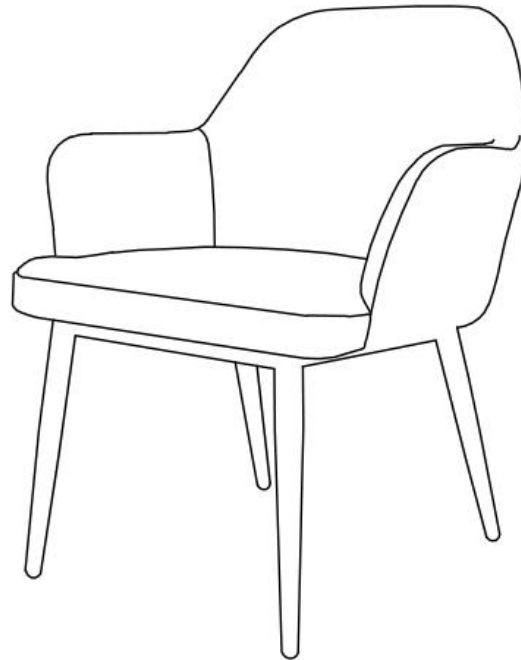
MOE'S

h o m e c o l l e c t i o n

ASSEMBLY INSTRUCTIONS.

BERLIN ACCENT CHAIR

UU-1019-39

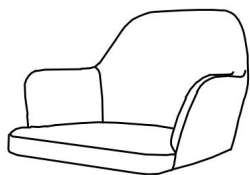


THANK YOU FOR YOUR PURCHASE!

PARTS AND HARDWARE.

① SEAT

② FRAME



③ SCREW

④ WRENCH



6*20=4

4MM=1

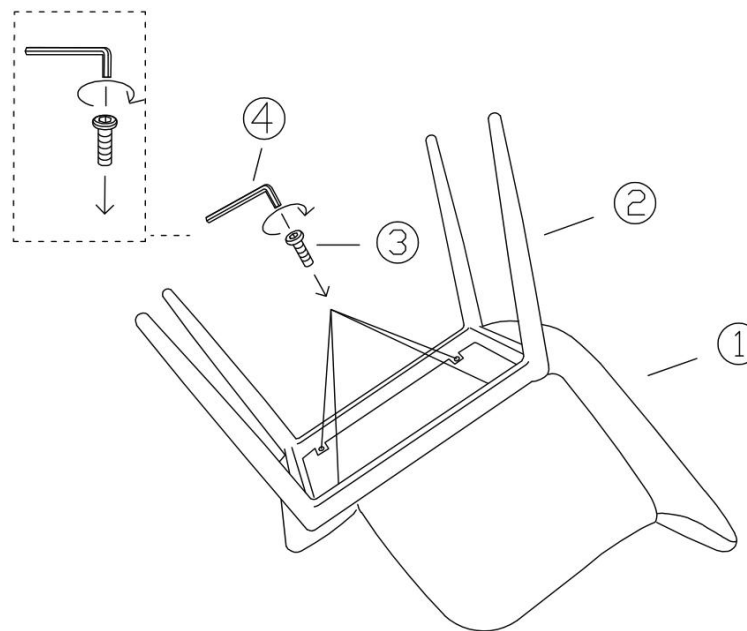
NOTES.

Thank you for purchasing this quality product ! Be Sure to check all packing material carefully for hardware that may have come loose inside the carton during shipping.

CAUTION:

The item is heavy, assembly should be performed by two people.

STEP 1.



STEP 2.

