

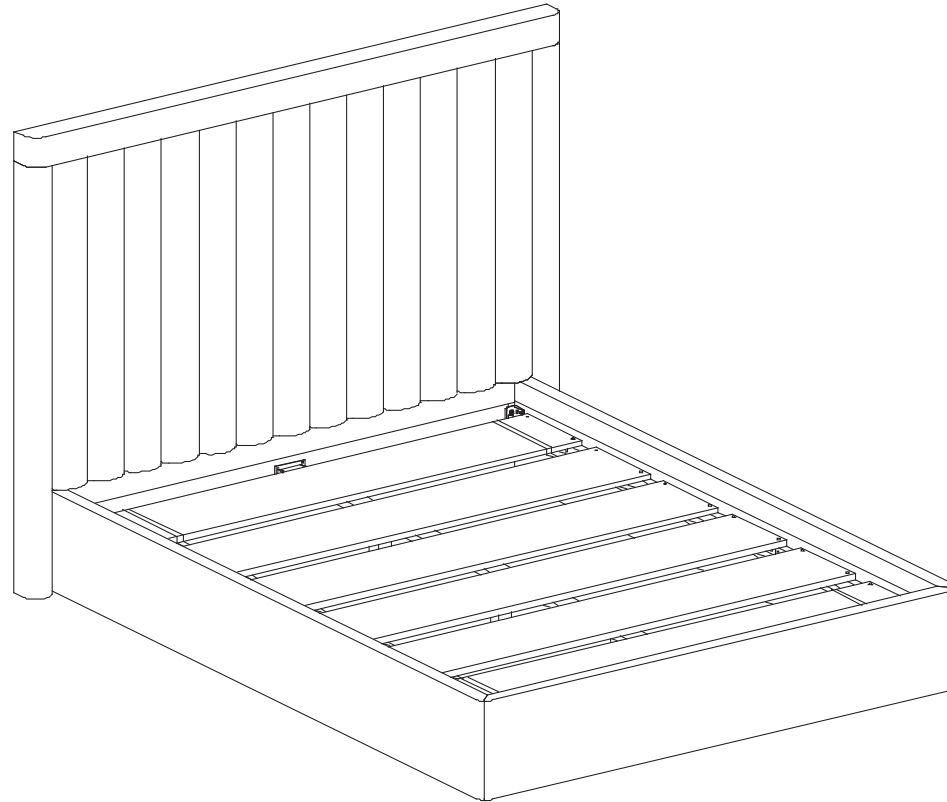
MOE'S

home collection

ASSEMBLY INSTRUCTIONS.

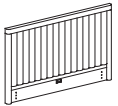

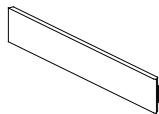





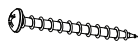



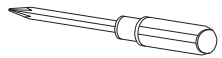
NINA KING BED GREY MIST

UT-1004-15



THANK YOU FOR YOUR PURCHASE!

PARTS AND HARDWARE.

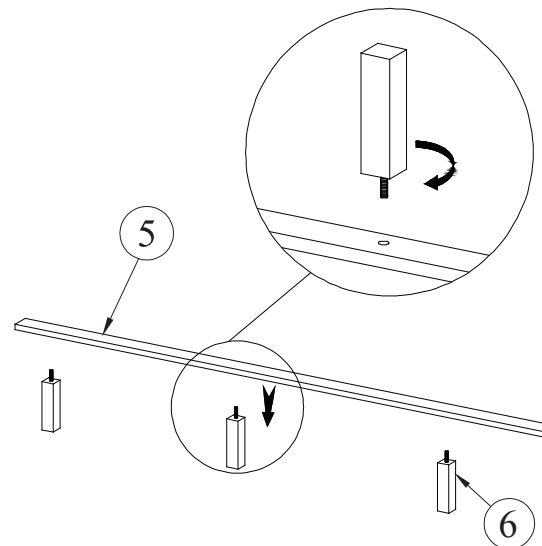
| | | |
|--|--|--|
| 1. HEADBOARD x 1  | 2. FOOTBOARD x 1  | 3. LEFT SIDE RAIL x 1  |
| 4. RIGHT SIDE RAIL x 1  | 5. CENTER RAIL x 1  | 6. LEG x 3  |
| 7. SLATS x1  | | |
| A. BOLT M8-25 x 12  | B. SCREW M4-30 x 24  | C. SPRING WASHER x 12  |
| D. FLAT WASHER x 12  | E. ALLEN KEY M4 X1  | |
| F. SCREW DRIVER (NOT PROVIDE)  | | |

NOTES.

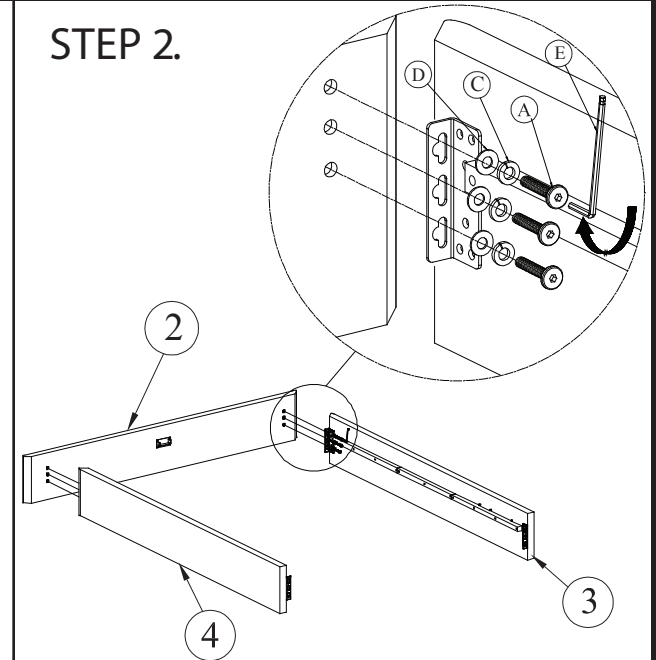
Thank you for purchasing this quality product! Be sure to check all packing material carefully for small part that may have come loose inside the carton during shipping.

CAUTION: The item is heavy, assembly should be performed by two people.

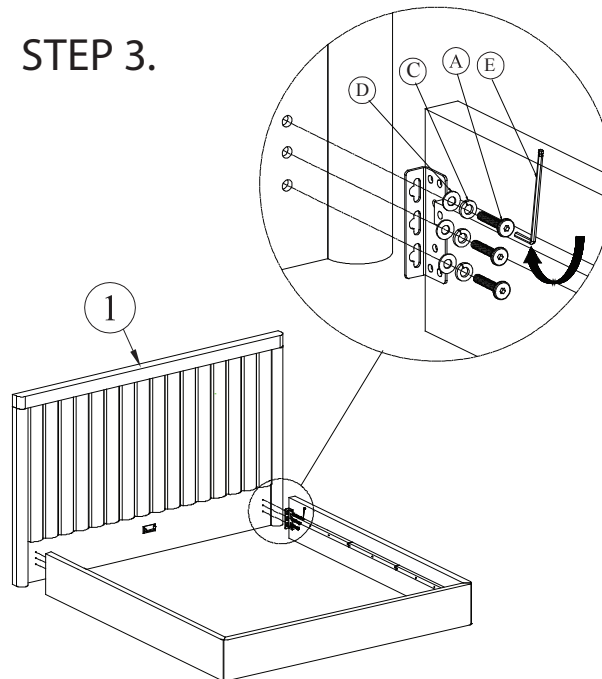
STEP 1.



STEP 2.



STEP 3.



STEP 4.

