

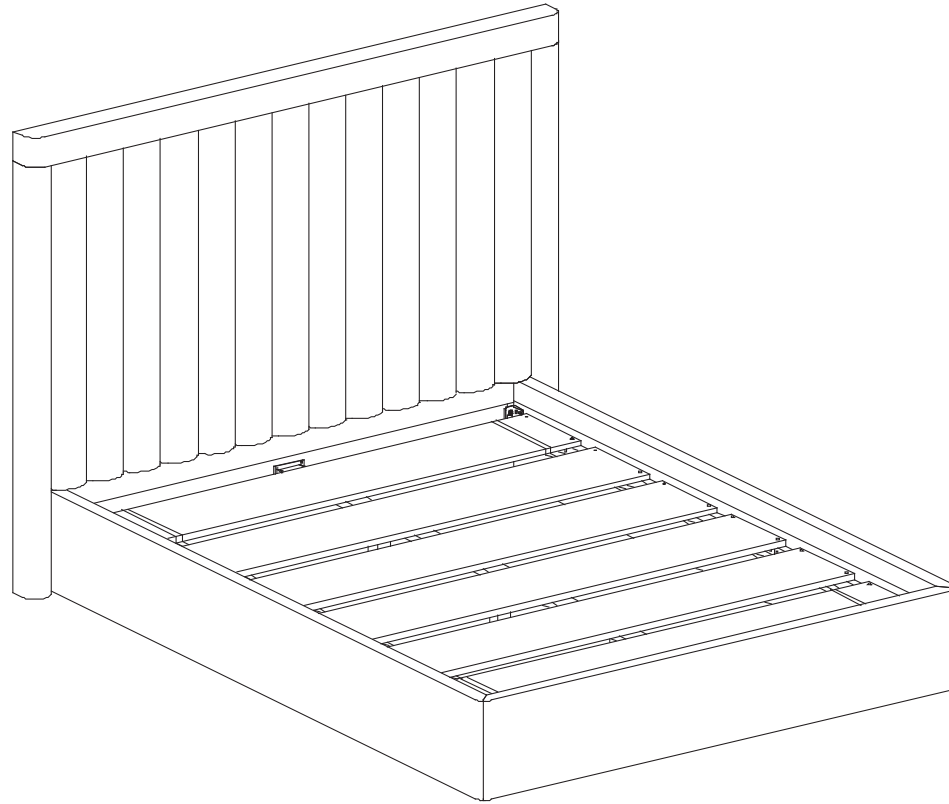
MOE'S

home collection

ASSEMBLY INSTRUCTIONS.

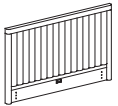

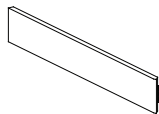





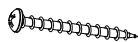



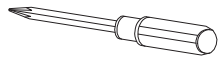
NINA QUEEN BED FOREST GREEN

UT-1003-16



THANK YOU FOR YOUR PURCHASE!

PARTS AND HARDWARE.

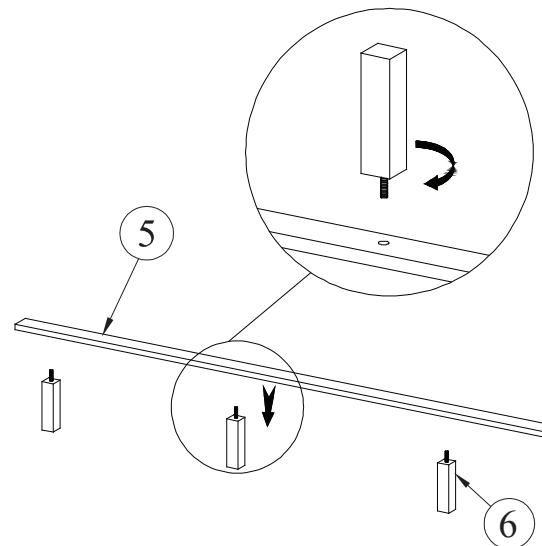
1. HEADBOARD x 1 	2. FOOTBOARD x 1 	3. LEFT SIDE RAIL x 1 
4. RIGHT SIDE RAIL x 1 	5. CENTER RAIL x 1 	6. LEG x 3 
7. SLATS x1 		
A. BOLT M8-25 x 12 	B. SCREW M4-30 x 24 	C. SPRING WASHER x 12 
D. FLAT WASHER x 12 	E. ALLEN KEY M4 X1 	
F. SCREW DRIVER (NOT PROVIDE) 		

NOTES.

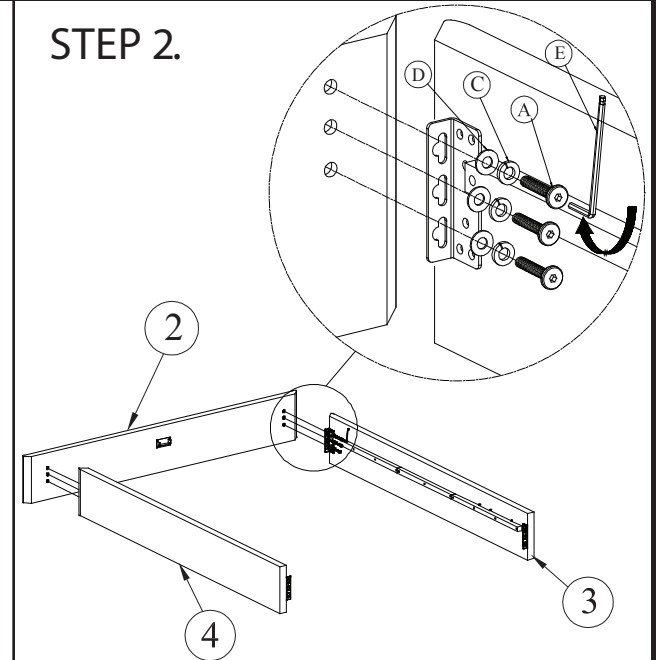
Thank you for purchasing this quality product! Be sure to check all packing material carefully for small part that may have come loose inside the carton during shipping.

CAUTION: The item is heavy, assembly should be performed by two people.

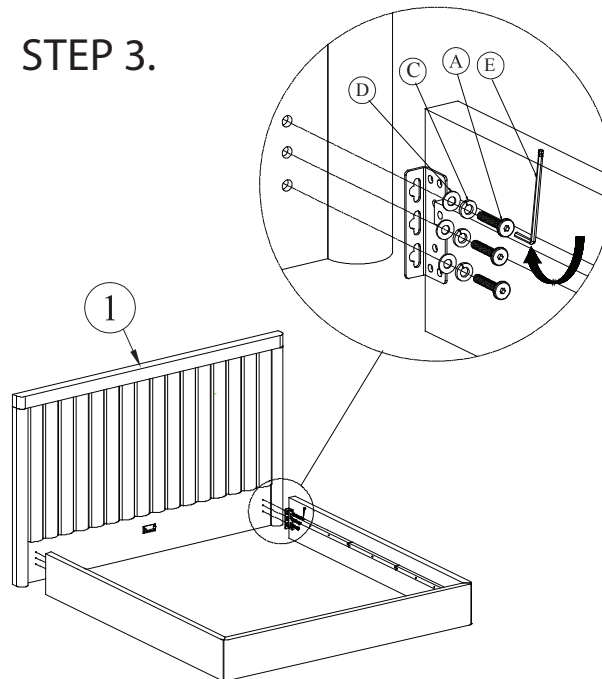
STEP 1.



STEP 2.



STEP 3.



STEP 4.

