

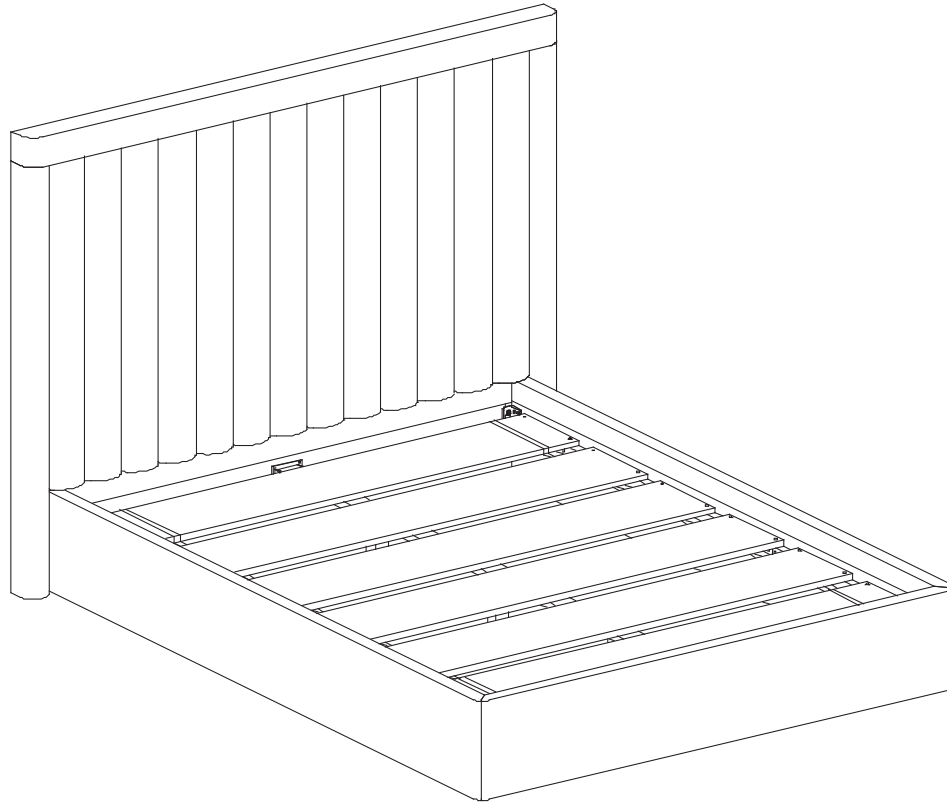
# MOE'S

home collection

## ASSEMBLY INSTRUCTIONS.

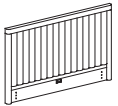

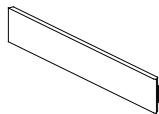




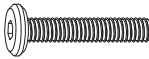
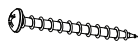


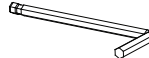
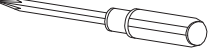
NINA QUEEN BED GREY MIST

UT-1003-15



THANK YOU FOR YOUR PURCHASE!

## PARTS AND HARDWARE.

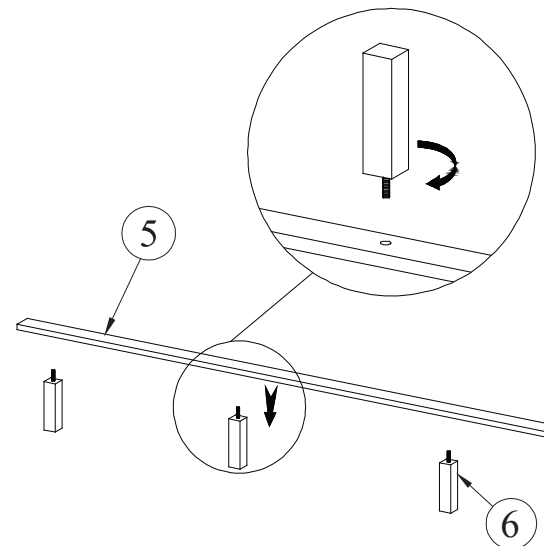
|  |  |  |
|--|--|--|
| 1. HEADBOARD x 1<br>              | 2. FOOTBOARD x 1<br>    | 3. LEFT SIDE RAIL x 1<br> |
| 4. RIGHT SIDE RAIL x 1<br>        | 5. CENTER RAIL x 1<br>  | 6. LEG x 3<br>            |
| 7. SLATS x1<br>                   |  |  |
| A. BOLT M8-25 x 12<br>            | B. SCREW M4-30 x 24<br> | C. SPRING WASHER x 12<br> |
| D. FLAT WASHER x 12<br>           | E. ALLEN KEY M4 X1<br>  |  |
| F. SCREW DRIVER (NOT PROVIDE)<br> |  |  |

## NOTES.

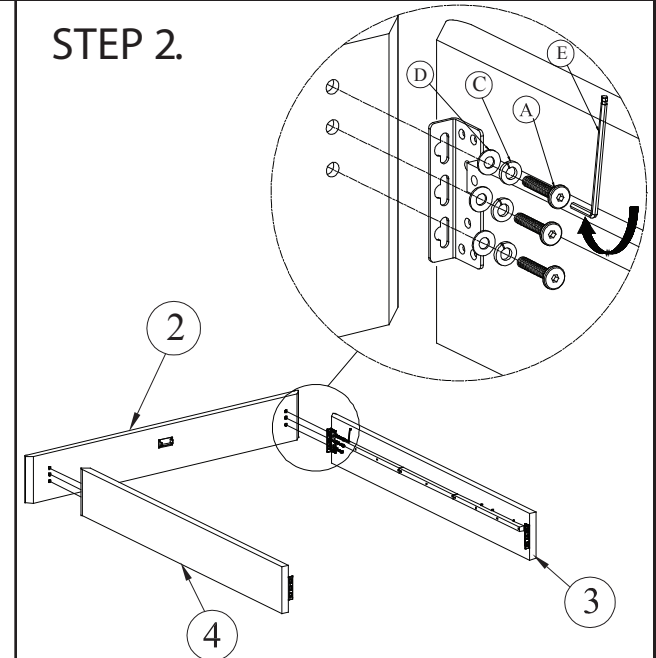
Thank you for purchasing this quality product! Be sure to check all packing material carefully for small part that may have come loose inside the carton during shipping.

**CAUTION:** The item is heavy, assembly should be performed by two people.

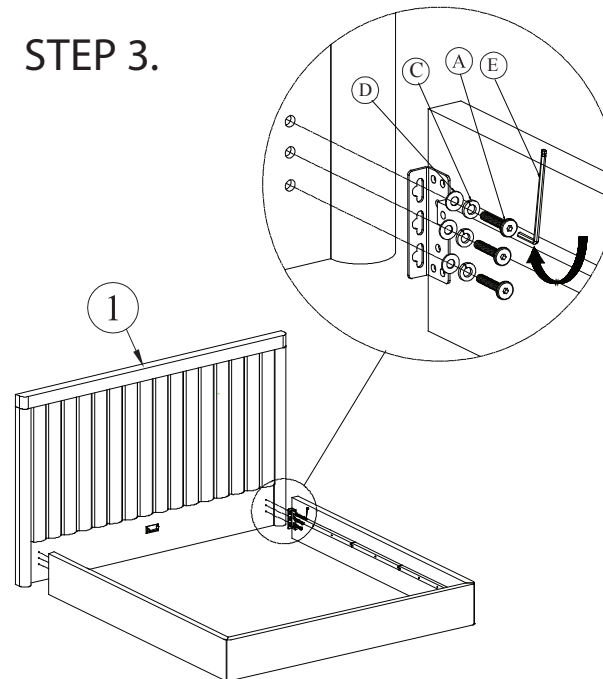
## STEP 1.



## STEP 2.



## STEP 3.



## STEP 4.

