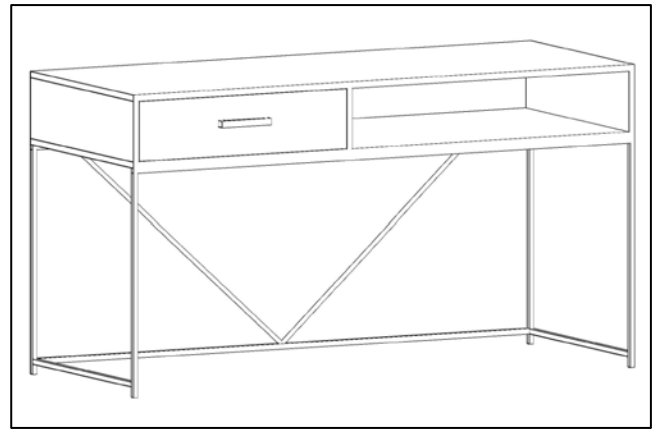


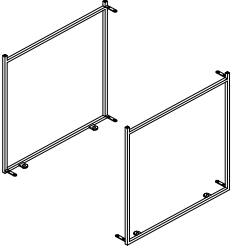
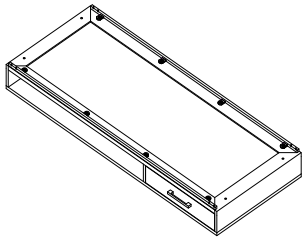
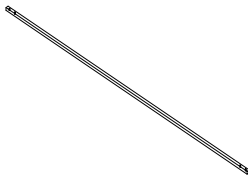
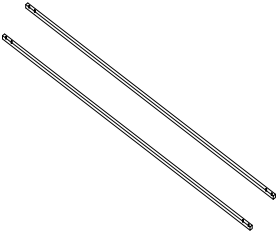
MOE'S

home collection

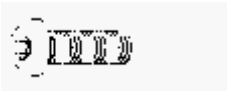
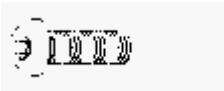


COLVIN DESK
SR-1030-24
Assembly Instruction



Component List:

<p>(A) Metal Frame, 2x</p> 	<p>(B) Desk Top, 1x</p> 	<p>(C) Metal Bottom Rail, 1x</p> 	<p>(D) Metal Back Rail, 2x</p> 
---	--	--	---

Tools List:

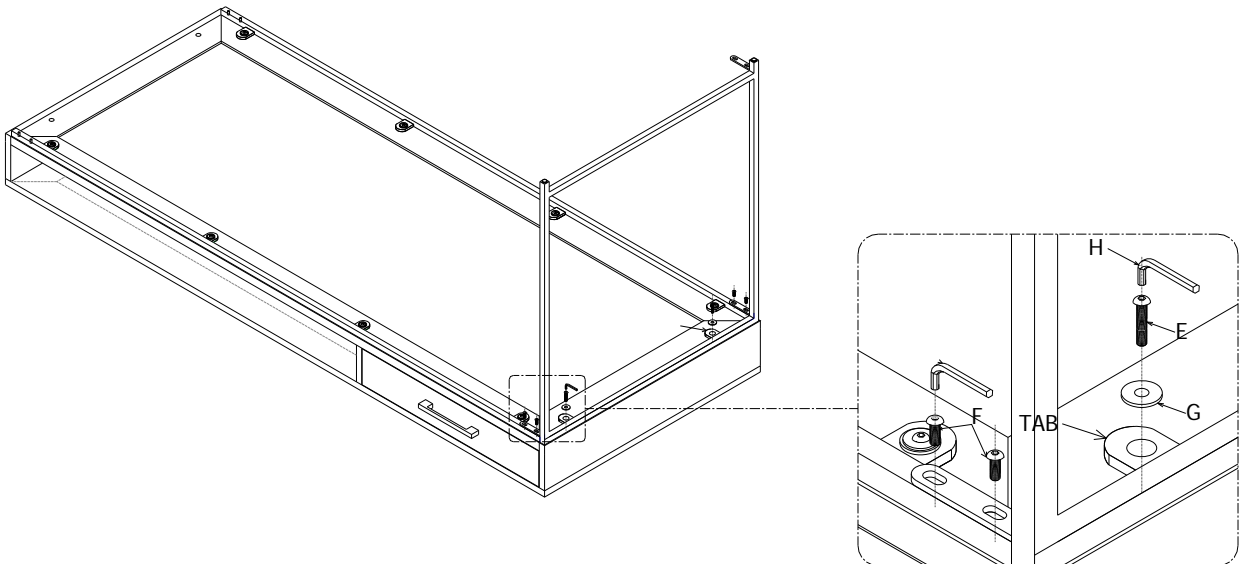
<p>(E) Allen Bolt M6, 22mm, 4 x</p> 	<p>(F) Allen Bolt M6, 15mm, 2 x</p> 	<p>(G) Allen Bolt M6, 10mm, 12x</p> 	<p>(H) Allen Key 4mm, 1 x</p> 
---	---	--	---

Before beginning:

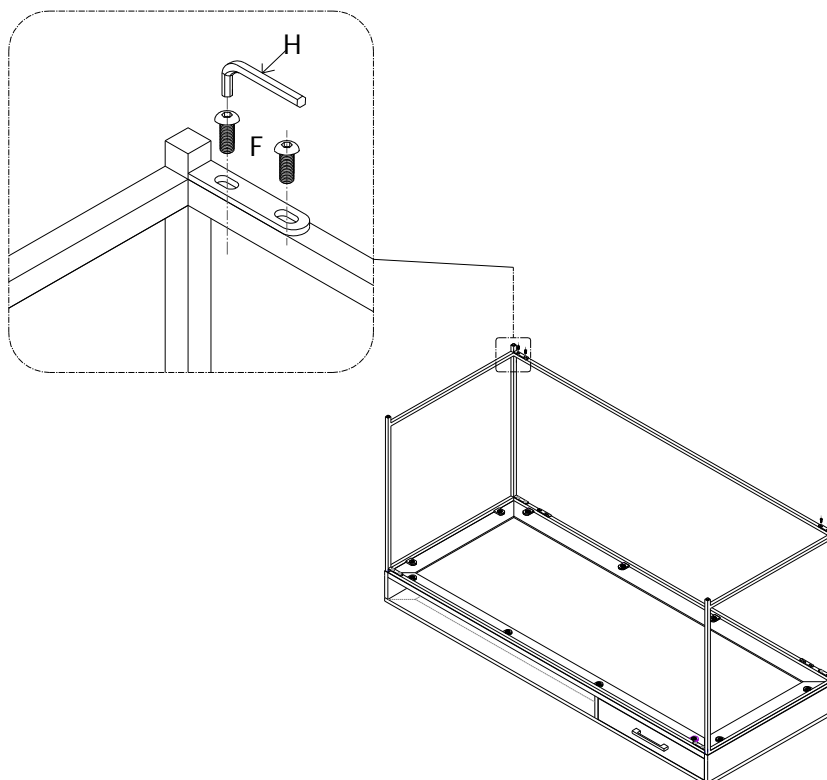
- Unpack all parts and hardware to ensure you have all needed components for assembly.
- Read this guide cover to cover before beginning assembly.
- Have 2 adults on hand for assembly.
- Assemble on a padded, non-marring surface.
- Save all packaging until finished

Assembly:

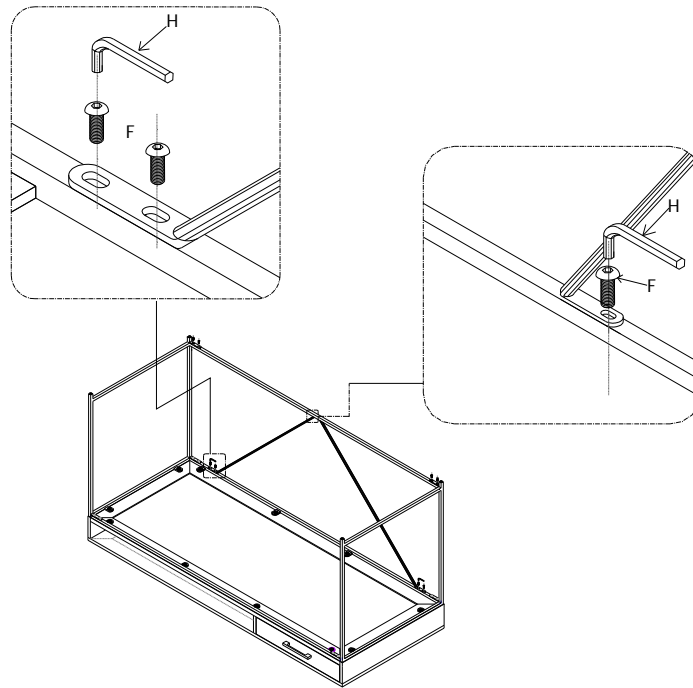
Step 1: Align Tabs of Metal Frame (A) onto Slots of the Frame which is attached with the Bottom of the Desk Frame (B) as shown below in diagram, Insert Allen Bolt (F) and tighten with Allen Key (H). & also align the Metal Clip on the Metal with the Fasteners Inserted into the Desk Bottom Frame (B) Now, Insert Allen Bolt (E), Washer (G) and tighten with Allen Key (H). Repeat the same process to secure other end. Do not tighten Allen Bolts fully.



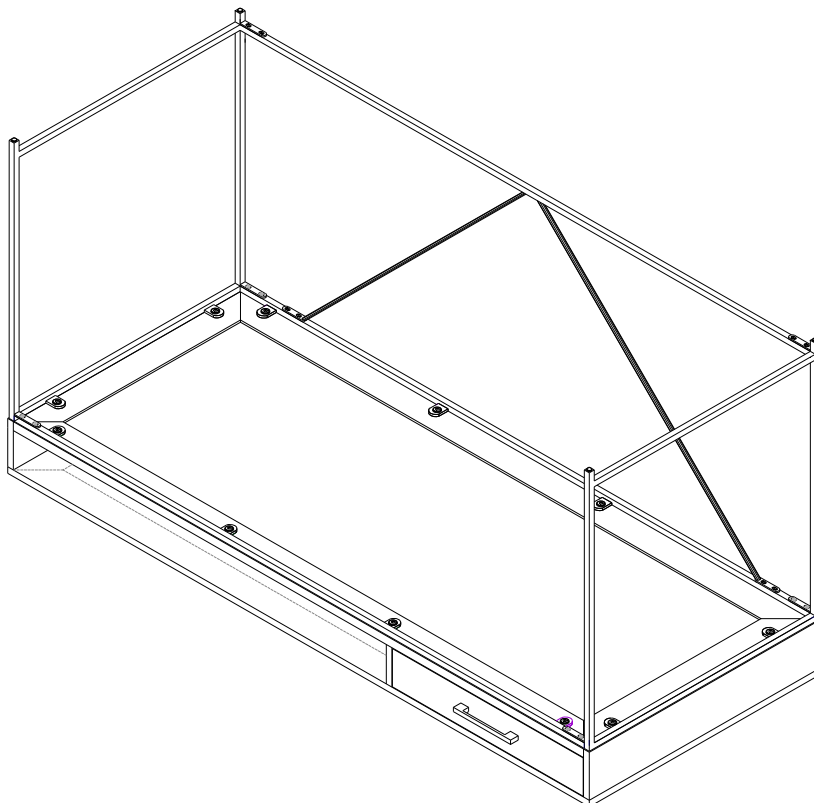
Step 2: Align Tabs of Metal Bottom Rail (C) onto Slots on Metal frame assembly (A) on both ends as shown below in diagram. Insert Allen Bolt (F) and tighten with Allen Key (H). Repeat the same process on other end. Now fully tighten all Connections.



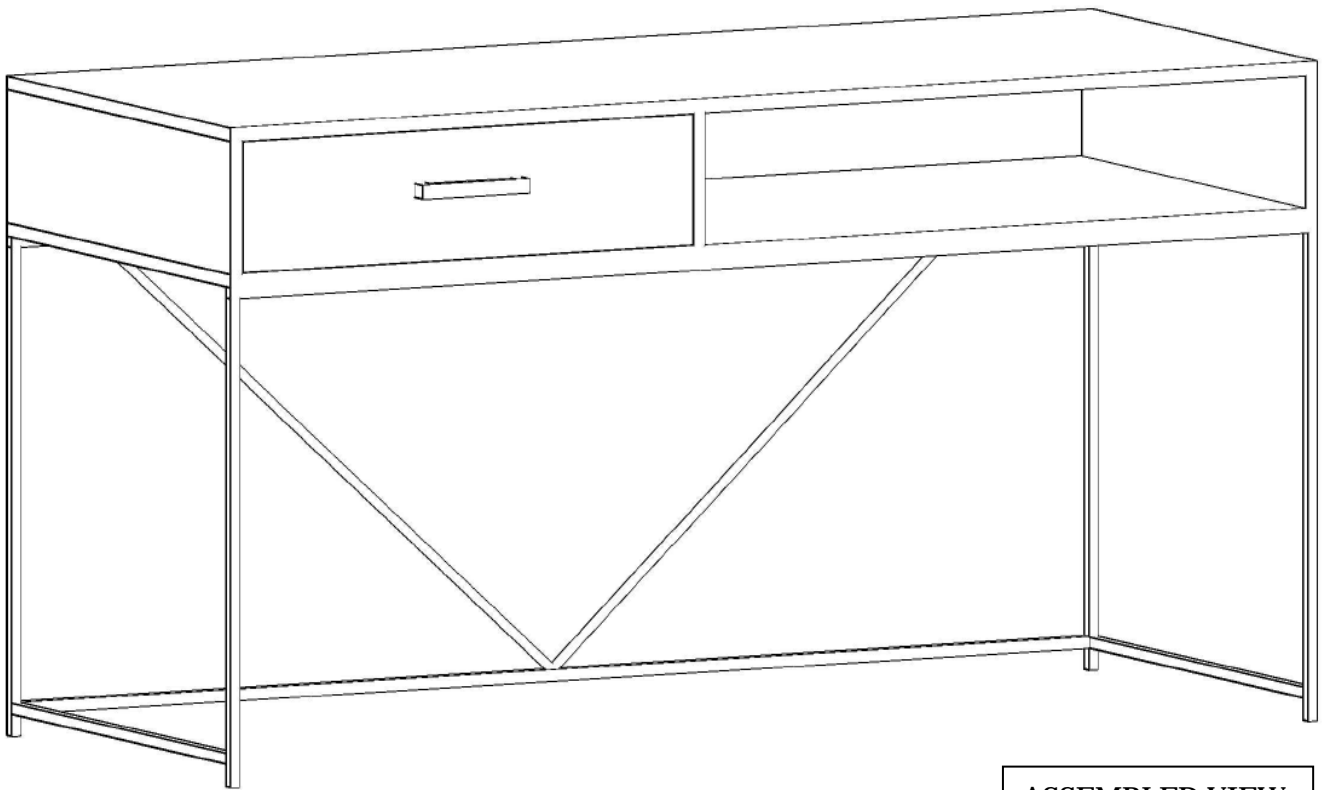
Step 3: Now, align the tabs of Back Rail (D) with the frame attached to the bottom of the Desk, and with the Bottom Rail (C) as shown in below fig. Insert Allen Bolt (F) and Tighten with Allen Key (H).



Step 4: Once all connections are fully tighten, Turn the table in upright position.



Step 5: Product is ready to use.



ASSEMBLED VIEW

Care:

Do not clean furniture with harsh cleansers or polish.

Do not put hot items directly on furniture surface.

Do not put furniture in direct sunlight.

Not for commercial use. For residential use only.

Dust and pick up spills with a clean, non-colored, lint-free cloth.

Stains may be removed with mild soap and damp cloth.

Thank you.