

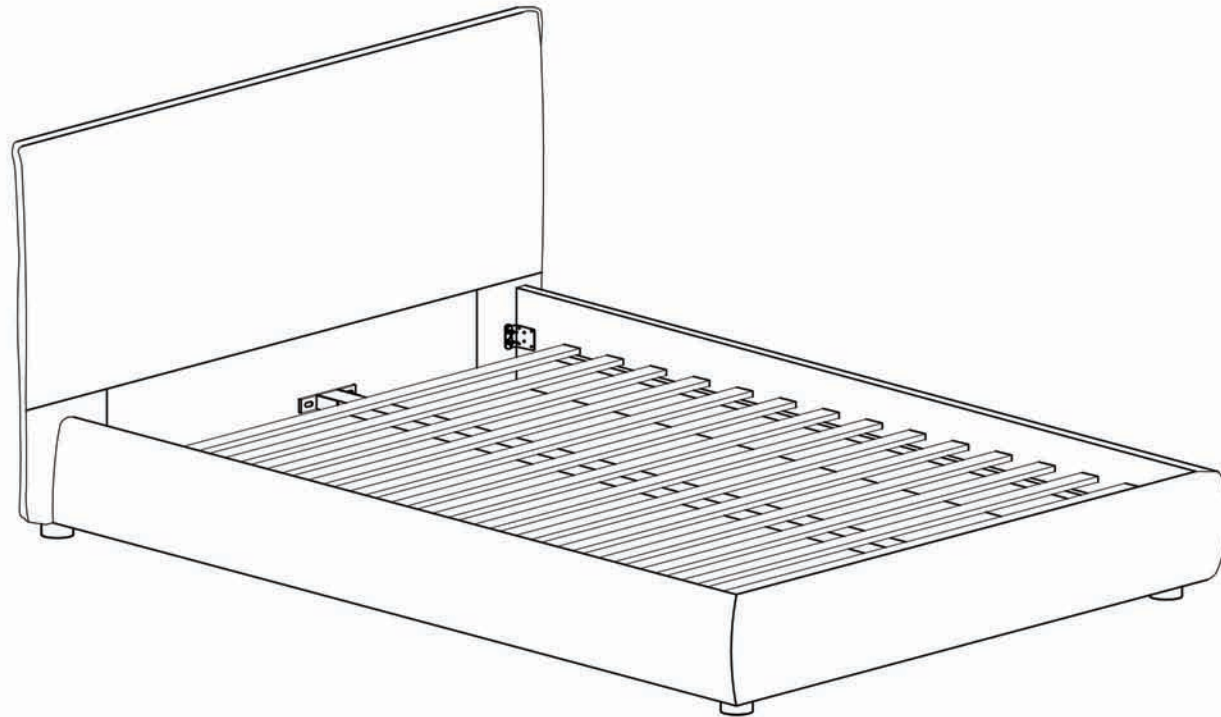
# MOE'S

home collection

## **ASSEMBLY INSTRUCTIONS.**





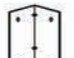





RECHARGE KING BED

**RN-1143-18**



THANK YOU FOR YOUR PURCHASE!

## PARTS AND HARDWARE.

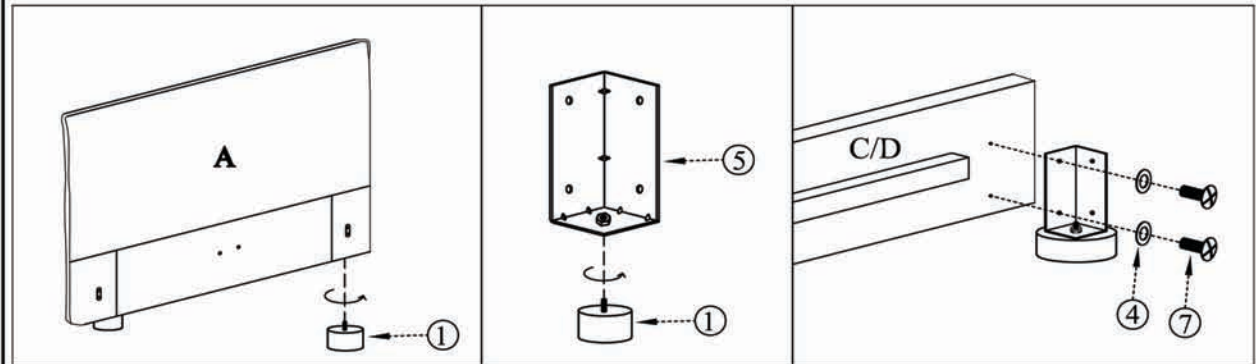
	
Foot	Gold Bolt (m8*18)
① X 4	② X 4
	
Allen Key	Washers (m8)
③ X 1	④ X 8
	
Bracket	Bolt (m8*20)
⑤ X 2	⑦ X 8
	
Headboard	Footboard
A X 1	B X 1
	
Right Side Rail	Left Side Rail
C X 1	D X 1

## NOTES.

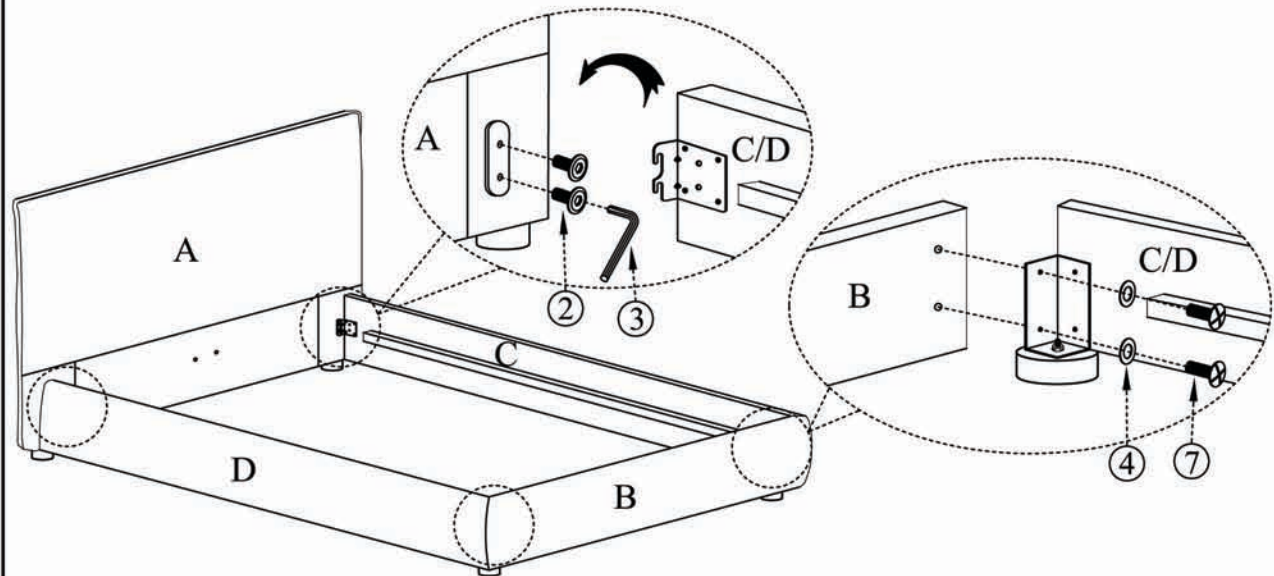
Thank you for purchasing this quality product! Be sure to check all packing material careful for small part that may have come loose inside the carton during shipping.

**CAUTION:** The item is heavy, assembly should be performed by two people.



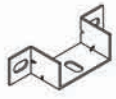



## STEP 1.



## STEP 2.



## PARTS AND HARDWARE.

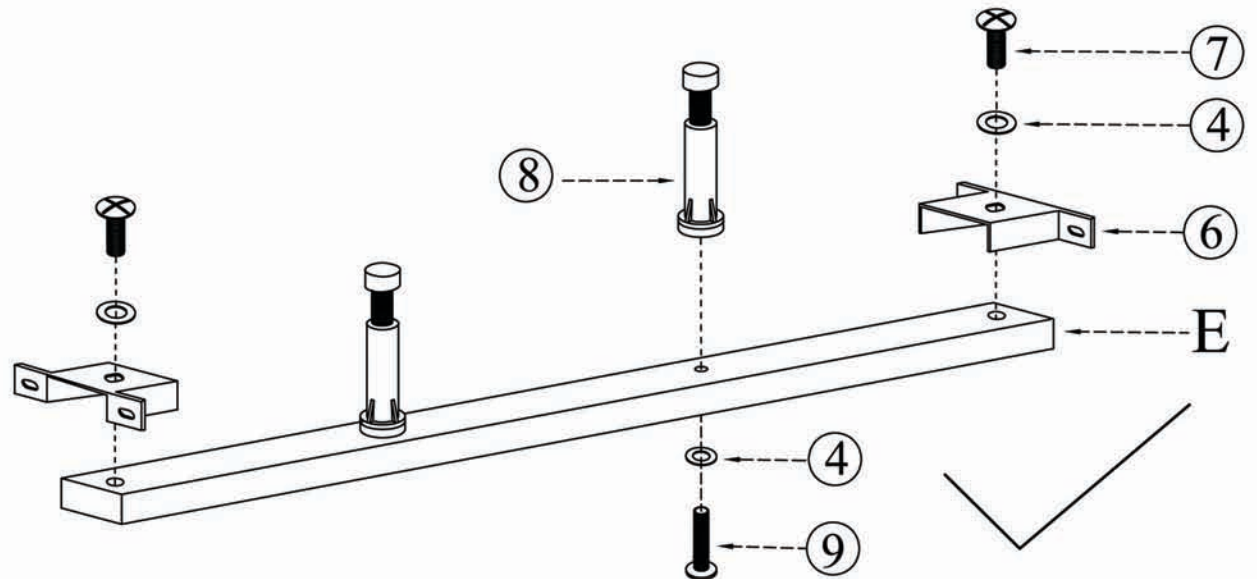
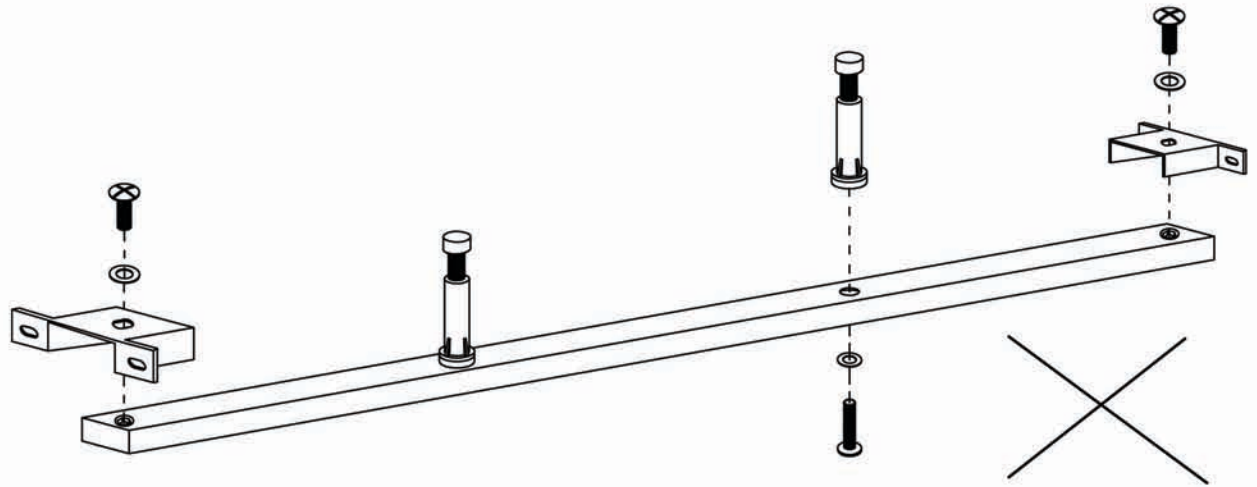
	
Center Rail E X 1	Washers ④ X 4
	
Brackets ⑥ X 2	Bolts (M8*20) ⑦ X 2
	
Plastic Support legs ⑧ X 2	Bolts (M8*40) ⑨ X 2

## NOTES.





Thank you for purchasing this quality product! Be sure to check all packing material careful for small part that may have come loose inside the carton during shipping.

**CAUTION:** The item is heavy, assembly should be performed by two people.

## STEP 3.



## PARTS AND HARDWARE.

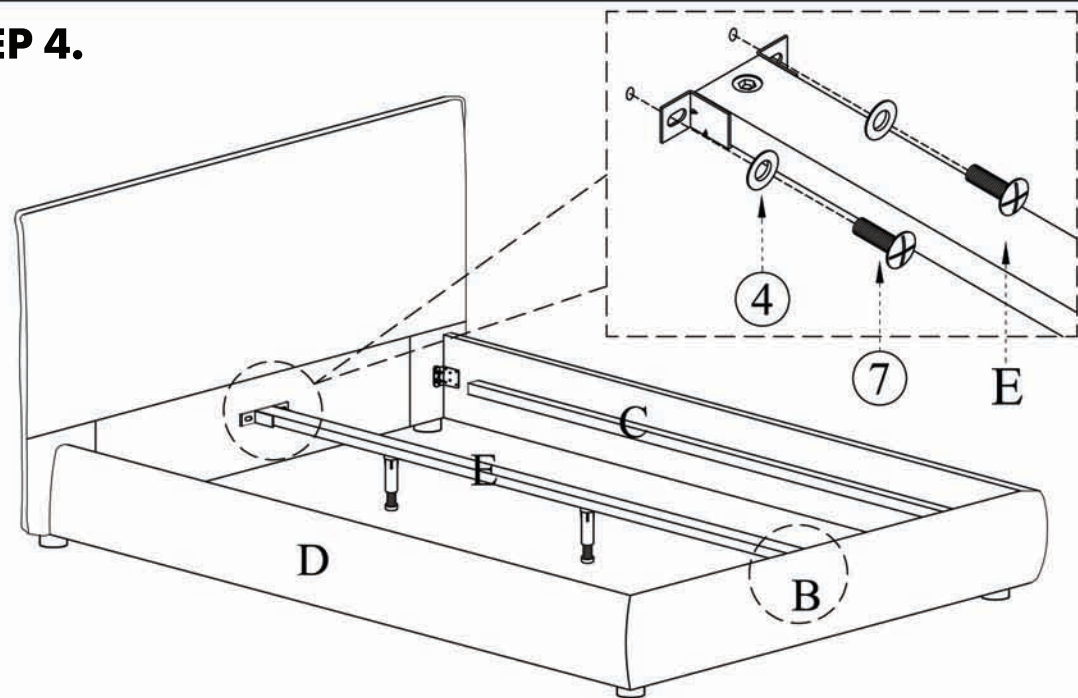
 Washers ④ X 4	 Bolts (M8*20) ⑦ X 4
 Screws(m8*32) ⑩ X 42	 Slats F X 1

## NOTES.

Thank you for purchasing this quality product!  
Be sure to check all packing material careful  
for small part that may have come loose  
inside the carton during shipping.

**CAUTION:**The item is heavy, assembly  
should be performed by two people.

## STEP 4.



## STEP 5.

