

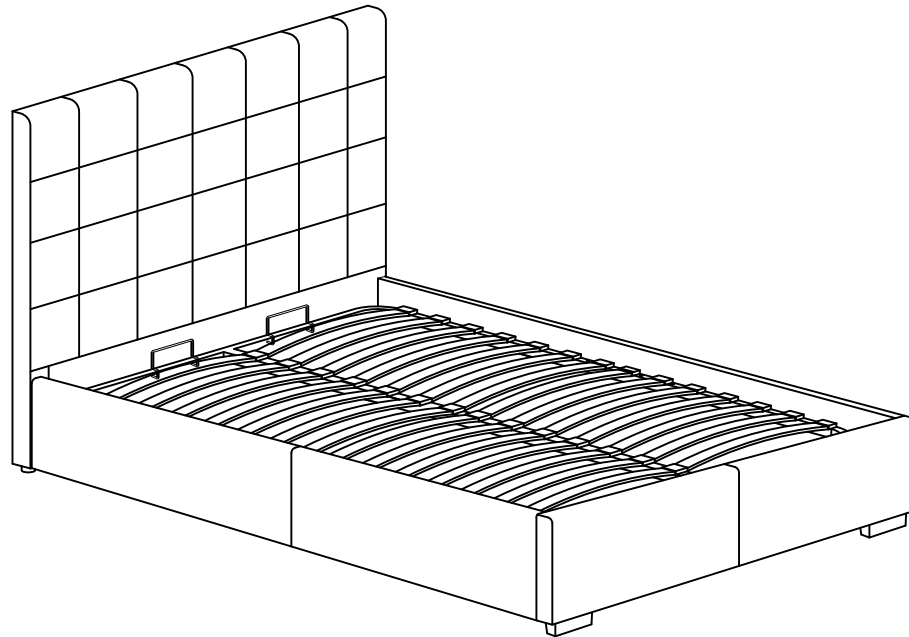
MOE'S

home collection

ASSEMBLY INSTRUCTIONS.

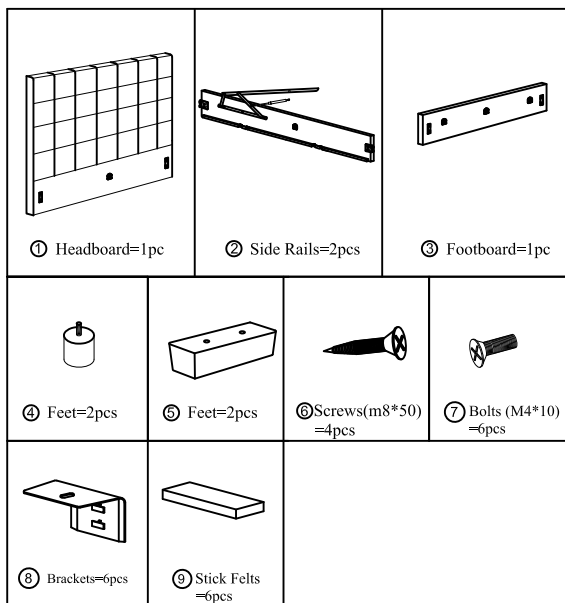
BELLE STORAGE BED QUEEN LIGHT GREY FABRIC

RN-1000-29-0

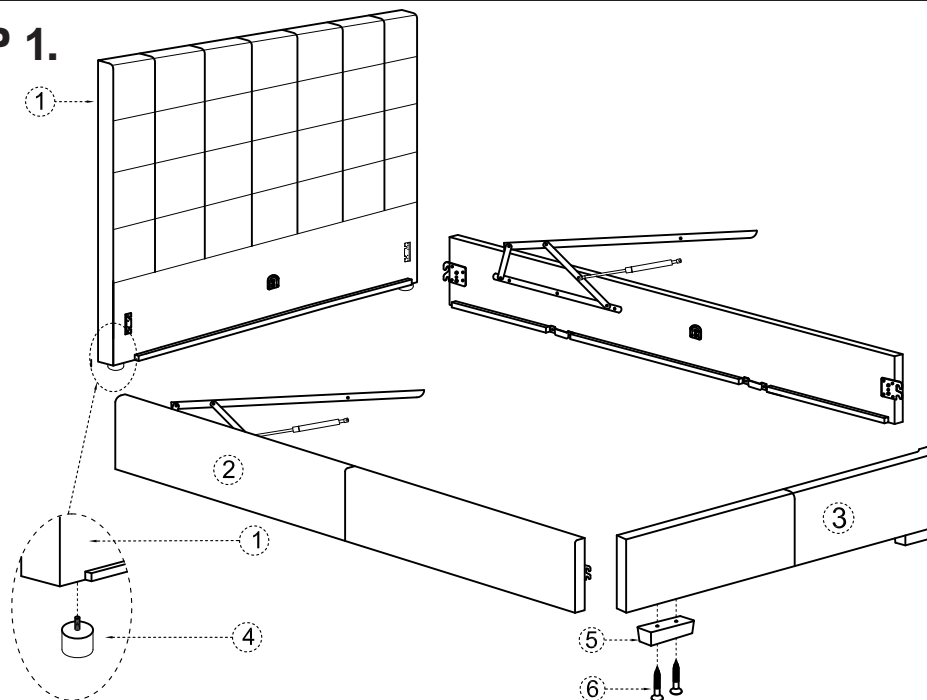


THANK YOU FOR YOUR PURCHASE!

PARTS AND HARDWARE.

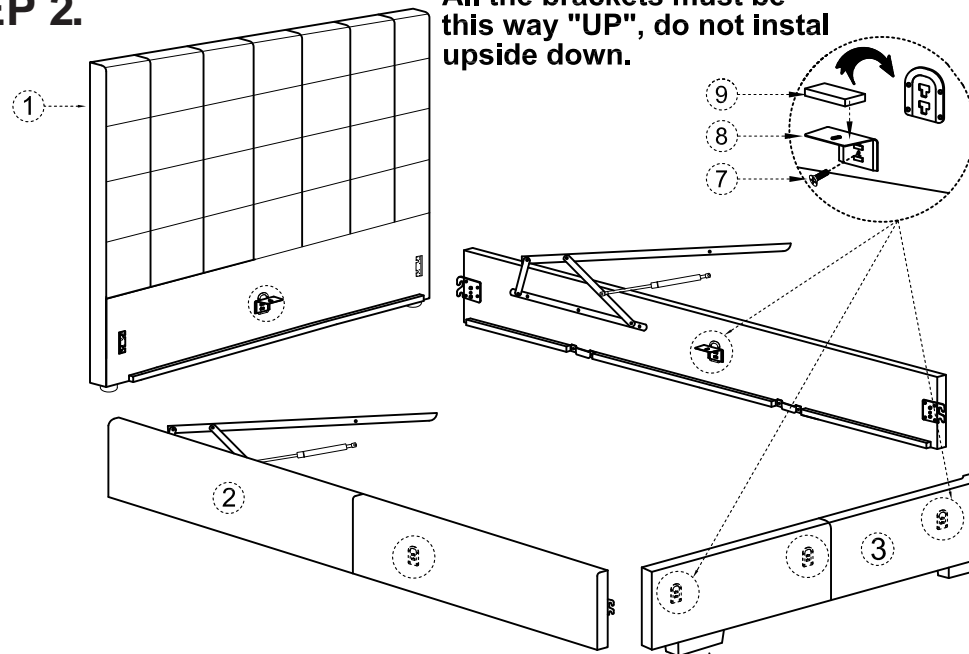


STEP 1.



STEP 2.

All the brackets must be this way "UP", do not instal upside down.

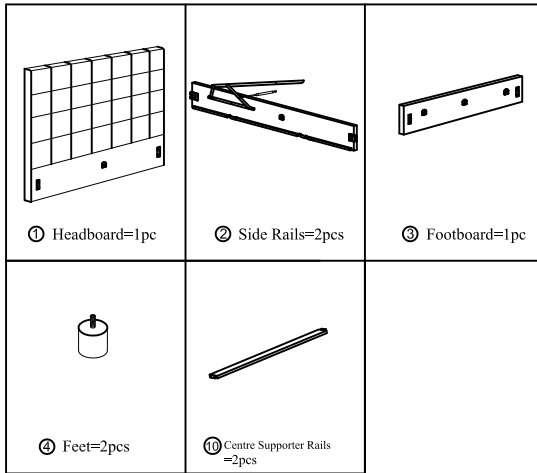


NOTES.

Thank you for purchasing this quality product! Be sure to check all packing material carefully for small part that may have come loose inside the carton during shipping.

CAUTION: The item is heavy, assembly should be performed by two people.

PARTS AND HARDWARE.

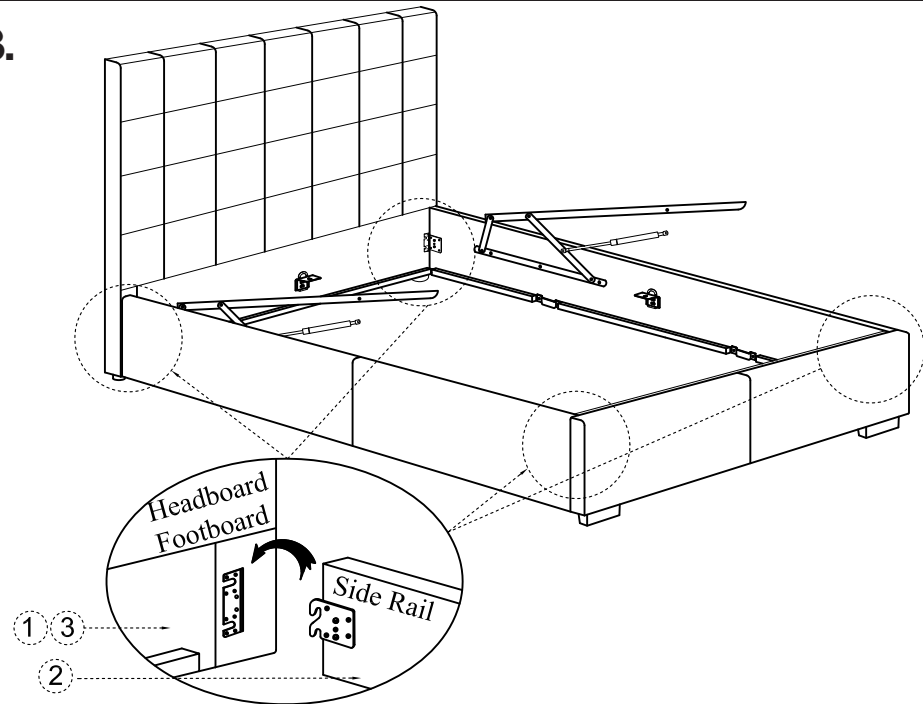


NOTES.

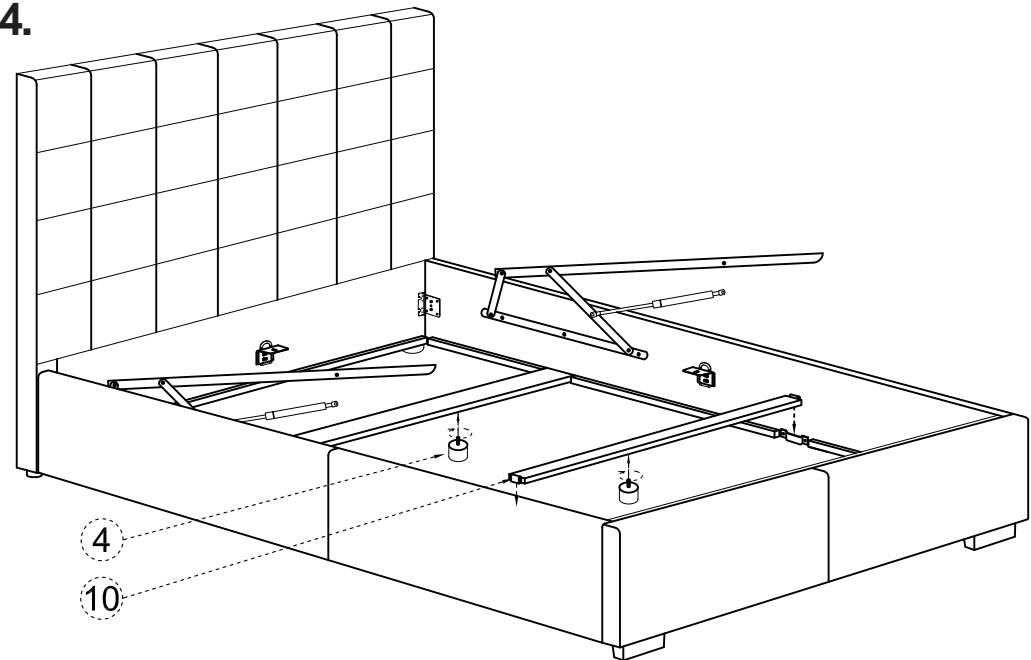
Thank you for purchasing this quality product! Be sure to check all packing material carefully for small part that may have come loose inside the carton during shipping.

CAUTION: The item is heavy, assembly should be performed by two people.

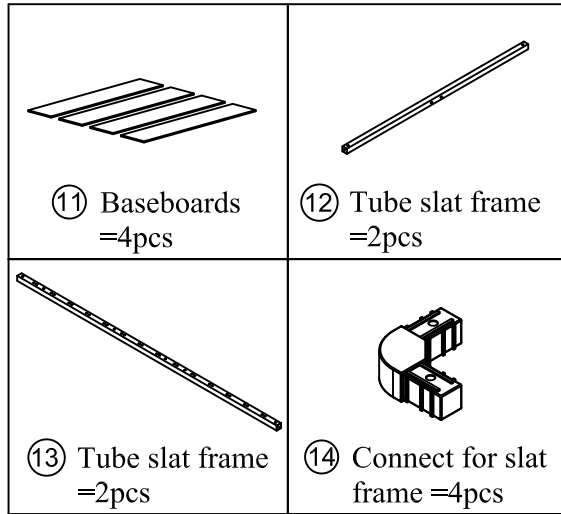
STEP 3.



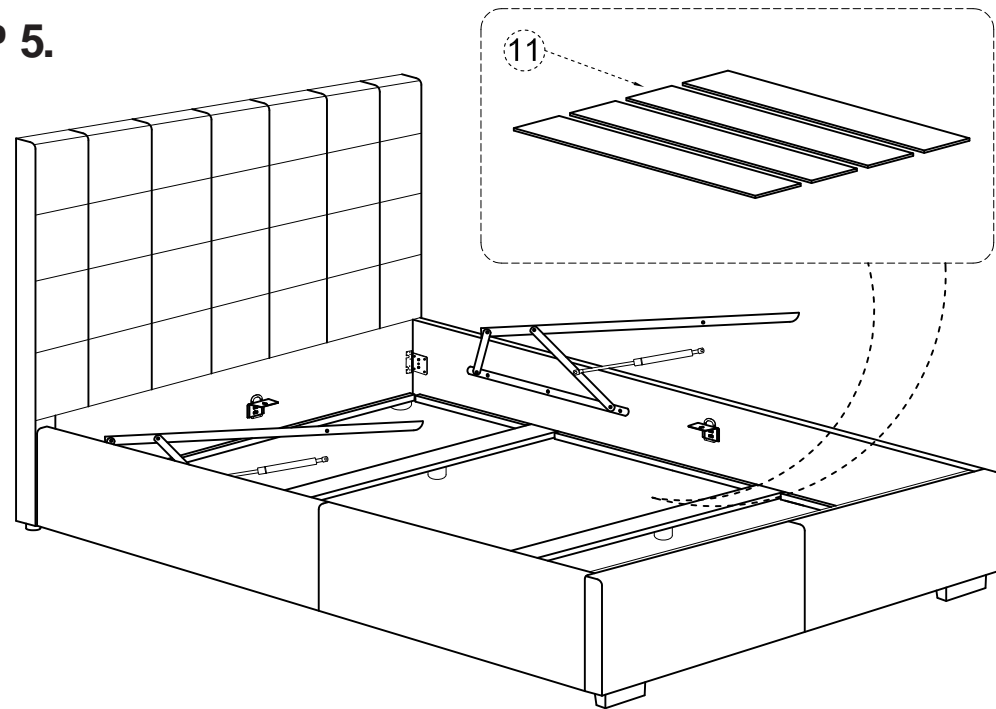
STEP 4.



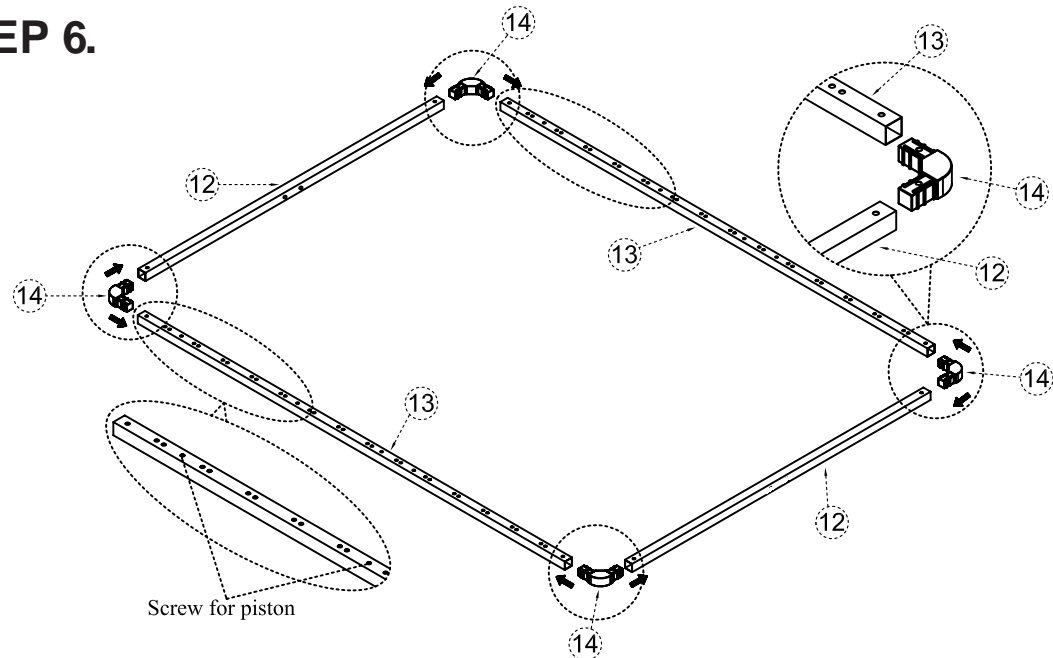
PARTS AND HARDWARE.



STEP 5.



STEP 6.









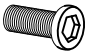


NOTES.

Thank you for purchasing this quality product! Be sure to check all packing material carefully for small part that may have come loose inside the carton during shipping.

CAUTION: The item is heavy, assembly should be performed by two people.

PARTS AND HARDWARE.

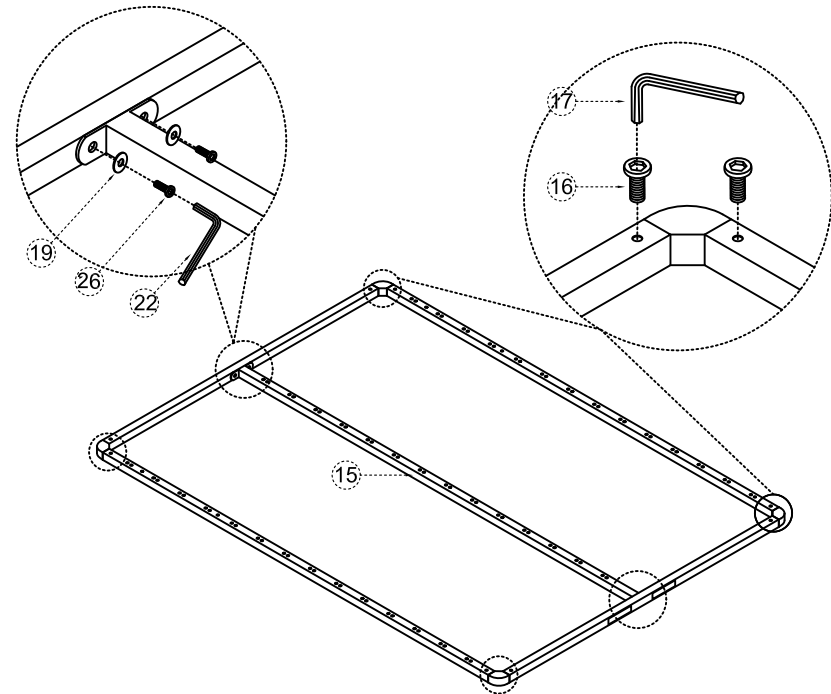
 ⑮ Tube slat frame =1pc	 ⑯ Bolts(Ø6*10) =8pcs	 ⑰ Allen Key=1pc (m4)
 ⑲ Washers(m8) =4pcs	 ⑳ Allen Key=1pc (m5)	 ㉓ Wide plastic cap(Big) = 14 Pcs
 ㉔ End plastic cap(Small) = 28 Pcs	 ㉕ Slats = 28 Pcs	 ㉖ Bolts(Ø8*25) =4pcs

NOTES.

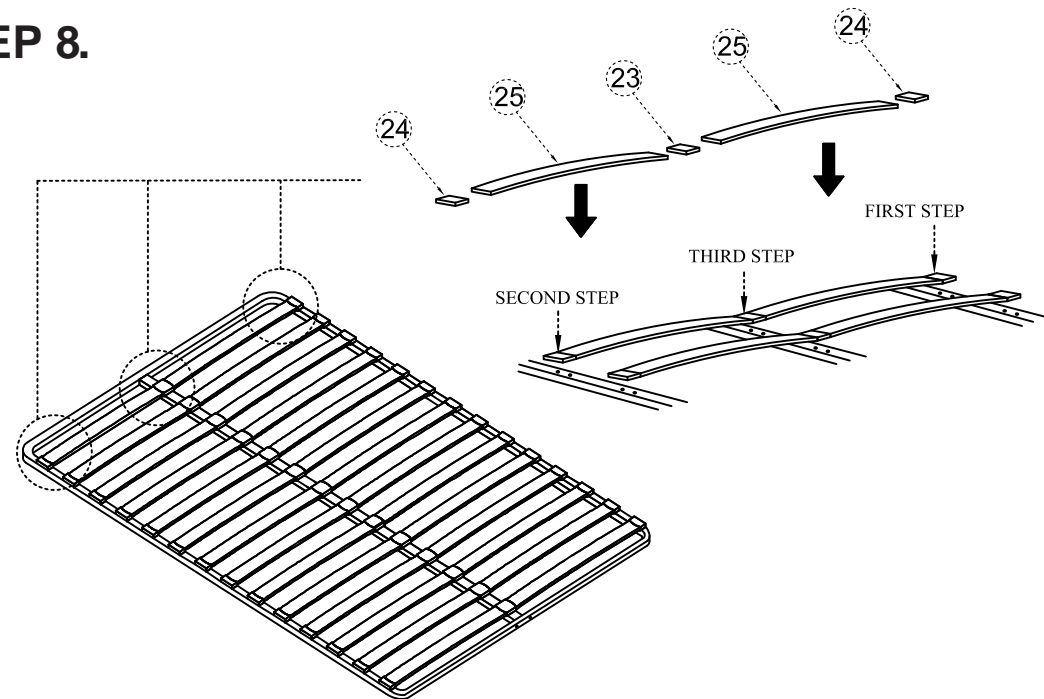
Thank you for purchasing this quality product! Be sure to check all packing material carefully for small part that may have come loose inside the carton during shipping.

CAUTION: The item is heavy, assembly should be performed by two people.

STEP 7.



STEP 8.



PARTS AND HARDWARE.

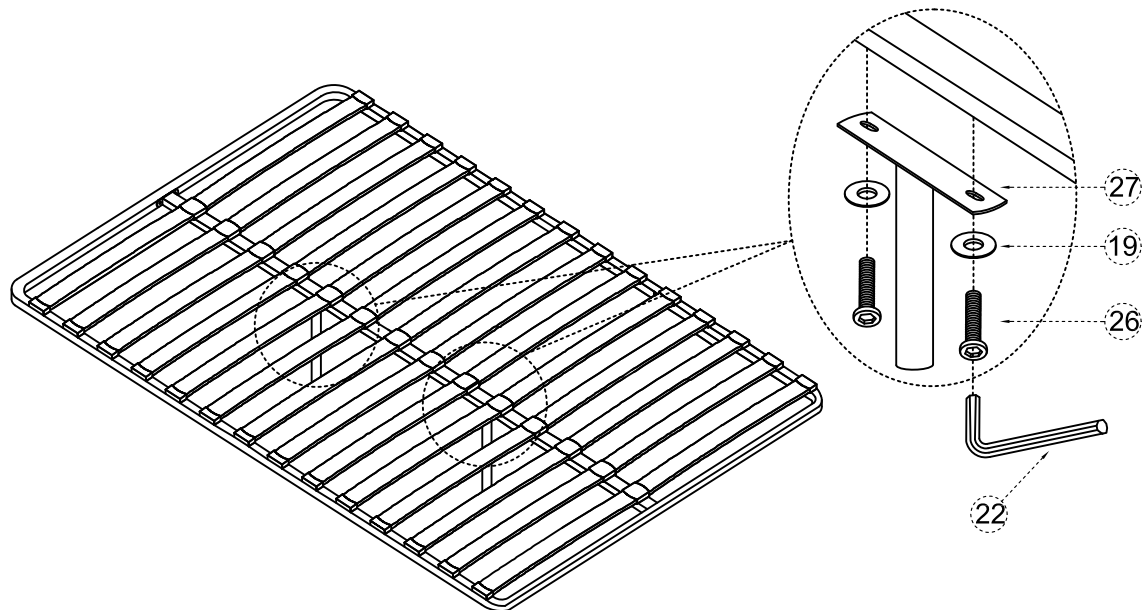
<p>18 Bolts(Ø8*45) =8pcs</p>	<p>19 Washers(m8) =20pcs</p>
<p>20 Nuts(Ø8) =8pcs</p>	<p>21 Spanner=1pc</p>
<p>22 Allen Key=1pc (m5)</p>	<p>26 Bolts(Ø8*25) =4pcs</p>
<p>27 Metal Support legs=2pcs</p>	

NOTES.

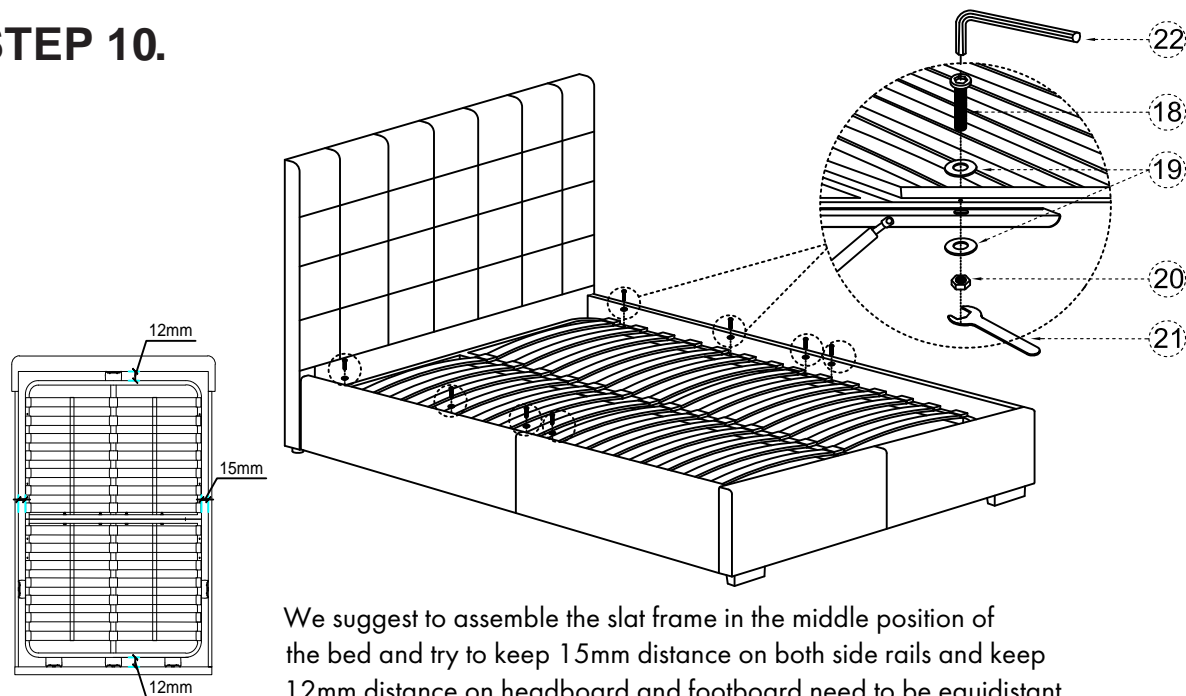
Thank you for purchasing this quality product! Be sure to check all packing material carefully for small part that may have come loose inside the carton during shipping.

CAUTION: The item is heavy, assembly should be performed by two people.

STEP 9.

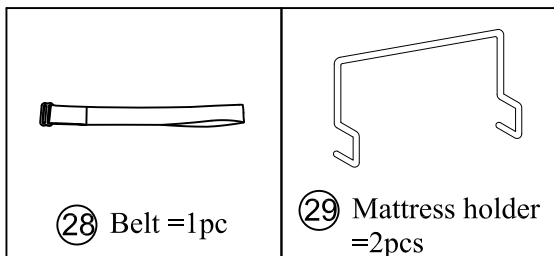


STEP 10.

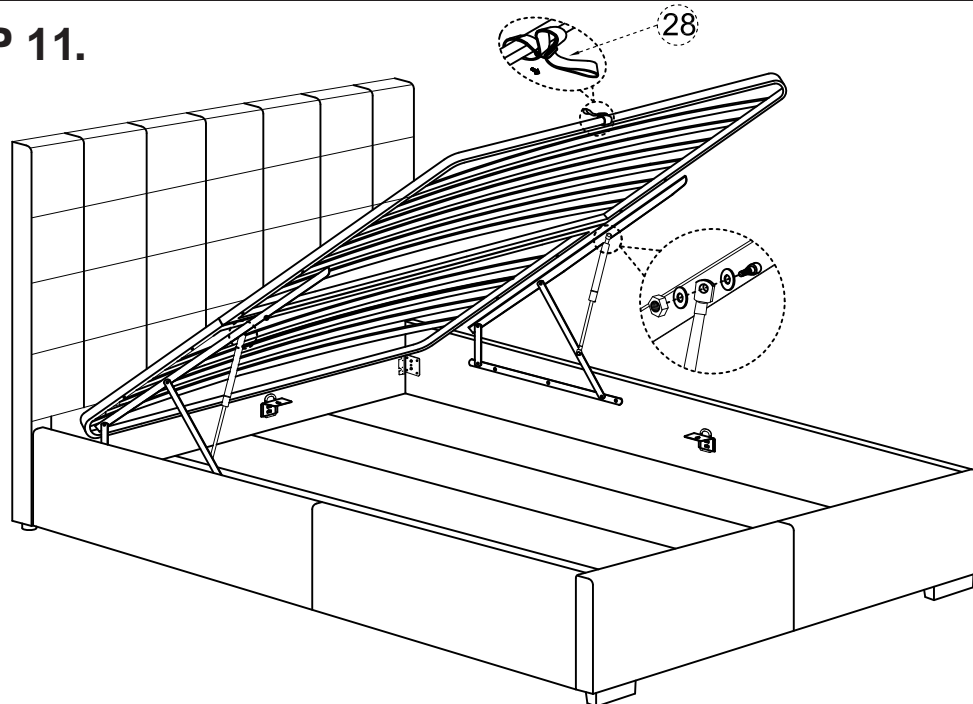


We suggest to assemble the slat frame in the middle position of the bed and try to keep 15mm distance on both side rails and keep 12mm distance on headboard and footboard, need to be equidistant.

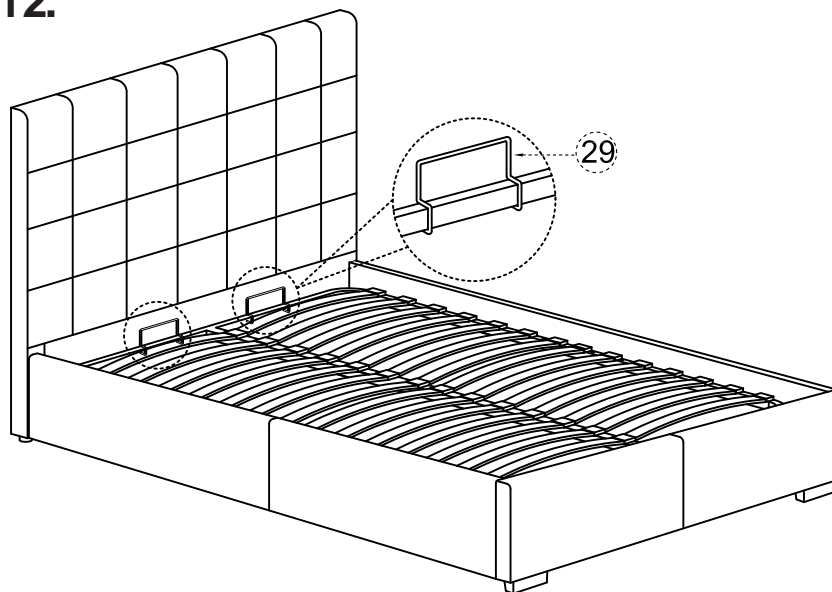
PARTS AND HARDWARE.



STEP 11.



STEP 12.



NOTES.

Thank you for purchasing this quality product! Be sure to check all packing material carefully for small part that may have come loose inside the carton during shipping.

CAUTION: The item is heavy, assembly should be performed by two people.

Warning: When you need to move the bed please lift it, do not drag it.