

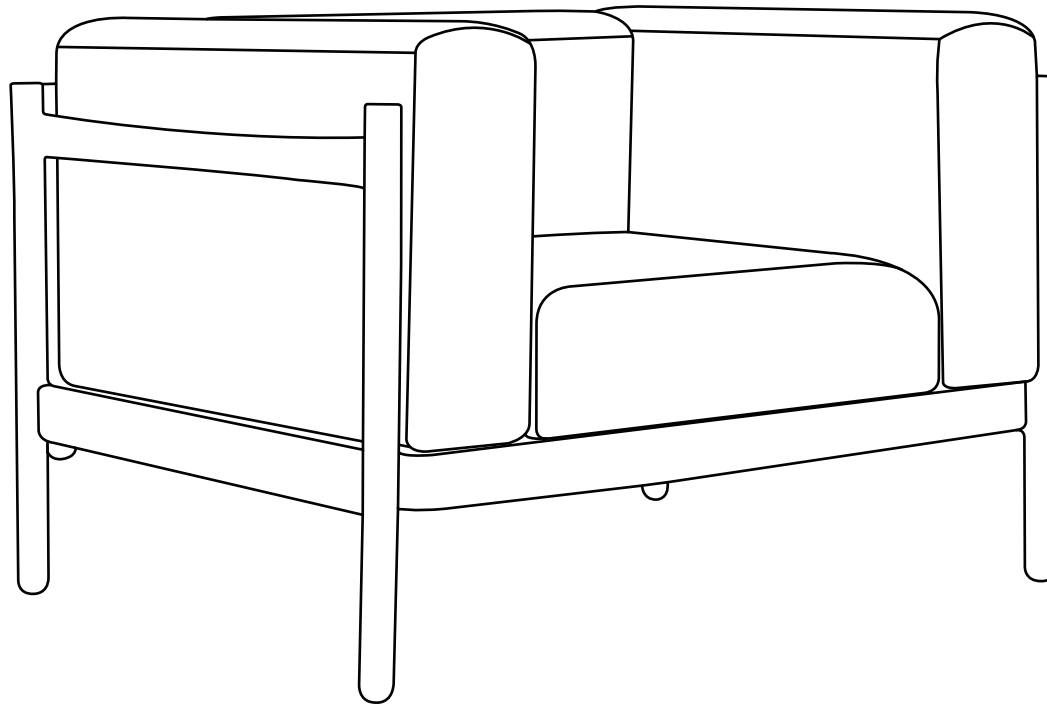
# MOE'S

home collection

## **ASSEMBLY INSTRUCTIONS.**

**SURI OUTDOOR LOUNGE CHAIR TAUPE**




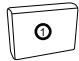


**QX-1014-39**











THANK YOU FOR YOUR PURCHASE!

# PARTS AND HARDWARE.

## PARTS LIST

No.	DESCRIPTION	IMAGE	QTY
P1	SEAT		1
P2	BACK		1
P3	ARMREST		2
P4	BACK CUSHION		1
P5	SEAT CUSHION		1
P6	ARMREST CUSHION		2

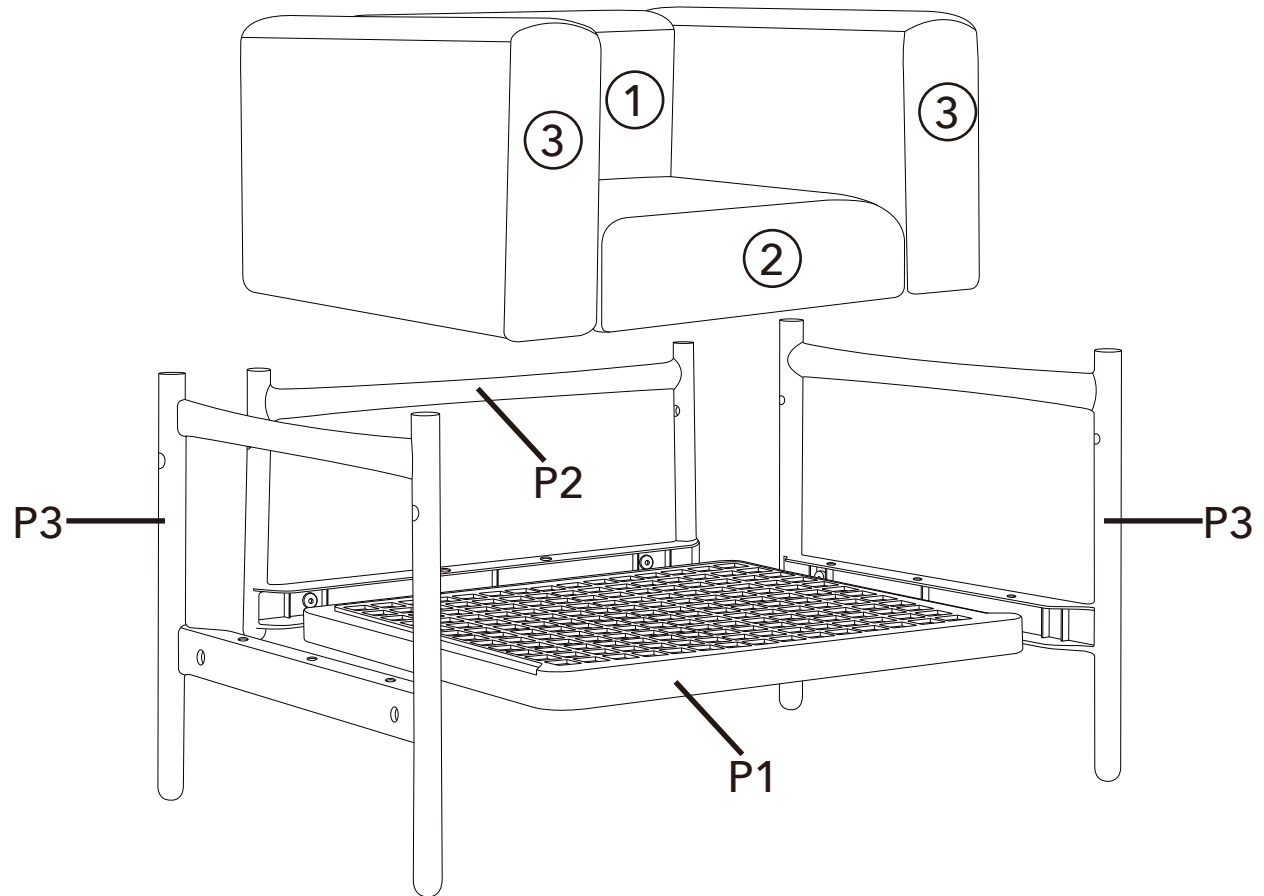
## HARDWARE LIST

No.	DESCRIPTION	IMAGE	QTY
H1	ALLEN KEY		1
H2	BOLT(6*40MM)		2
H3	BOLT(6*65MM)		14
H4	FLAT WASHER (6*14*1MM)		32
H5	NUT(M6)		16
H6	SPANNER(M6)		1
H7	STOPPLE(13MM)		2
H8	STOPPLE(18MM)		6

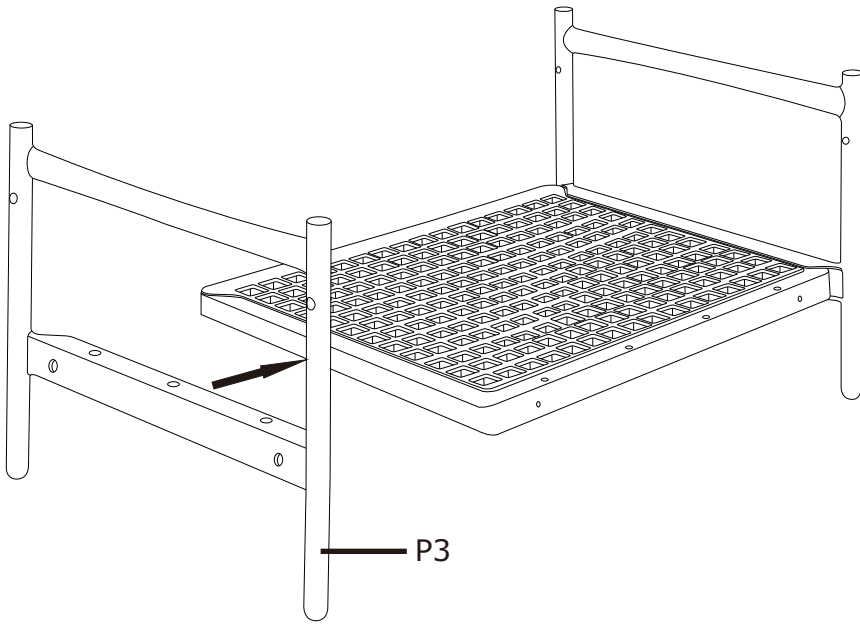
## NOTES.

Thank you for purchasing this quality product!  
Be sure to check all packing material carefully for small part that may have come loose inside the carton during shipping.

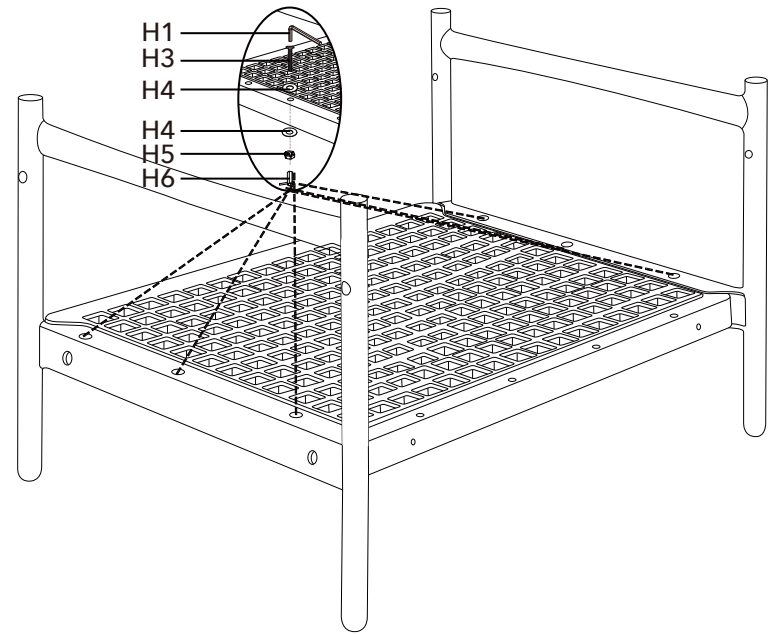
**CAUTION:** The item is heavy, assembly should be performed by two people.



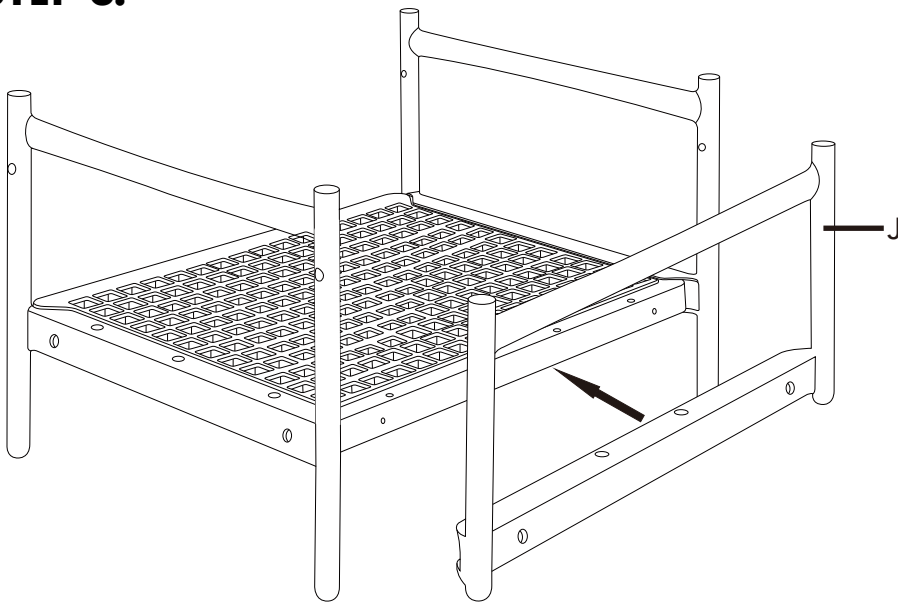
### STEP 1.



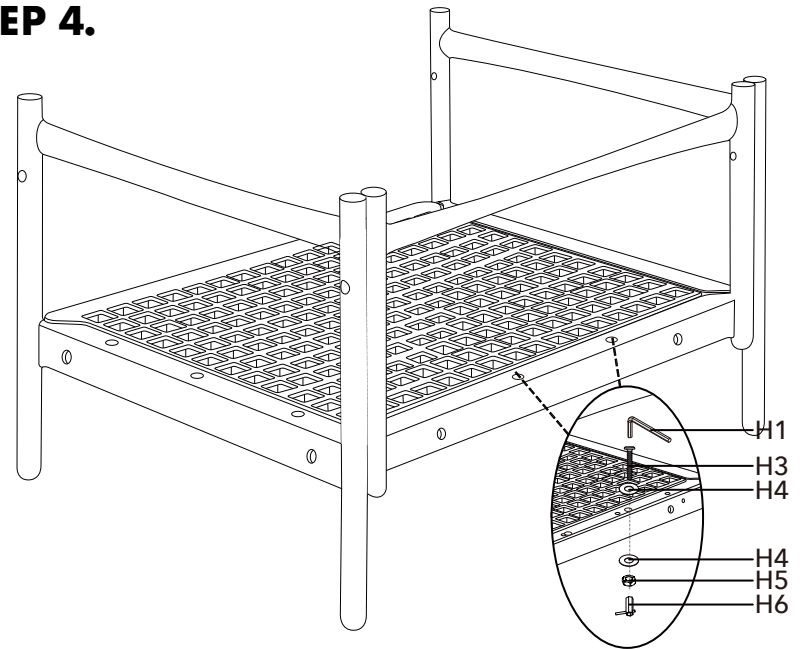
### STEP 2.



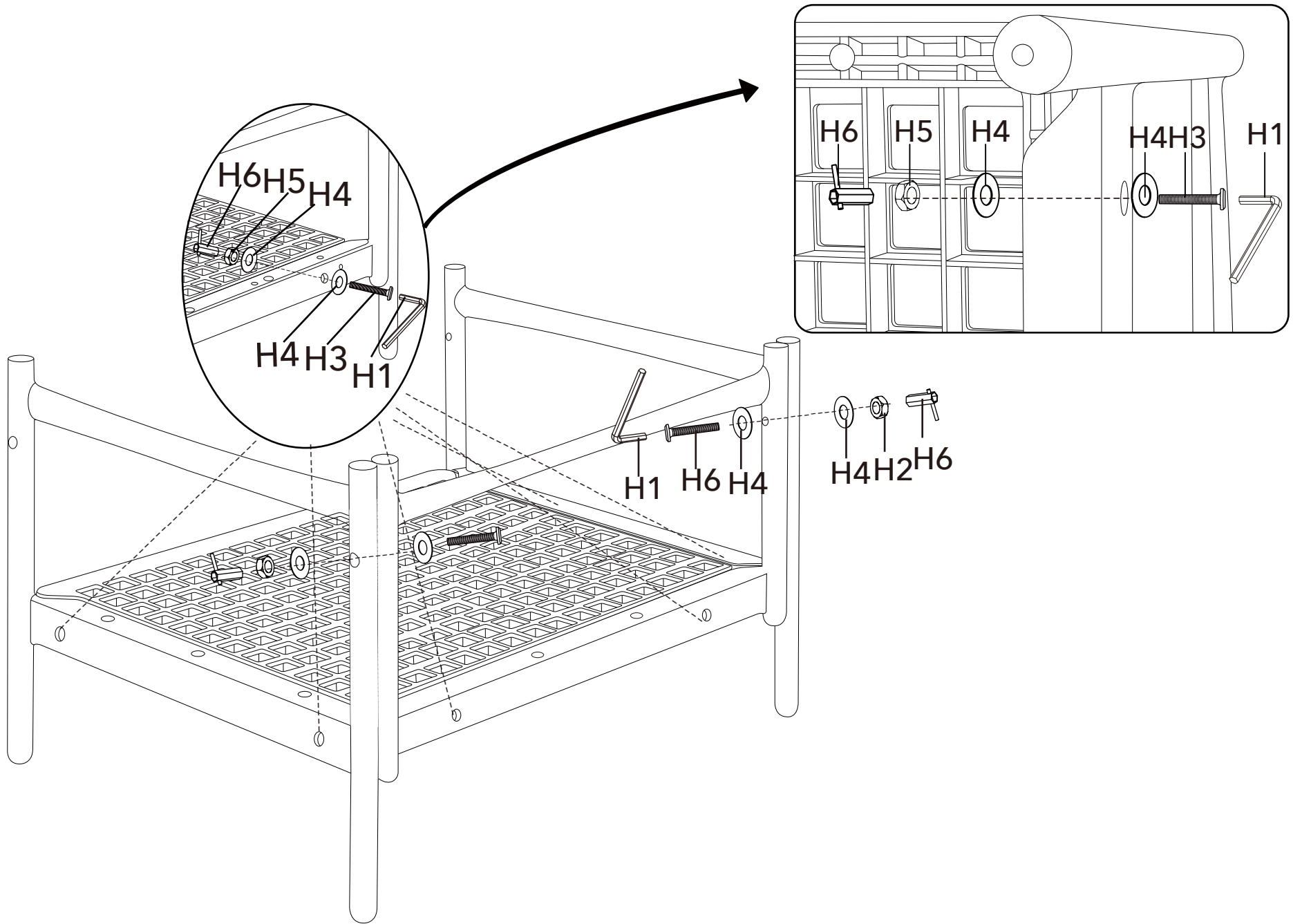
### STEP 3.



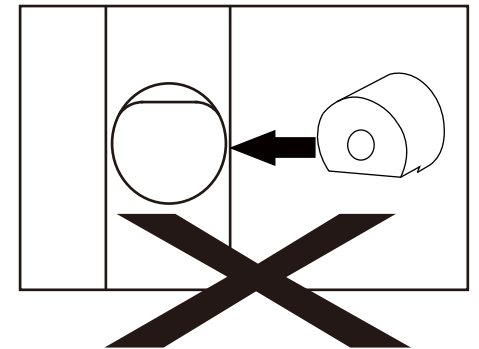
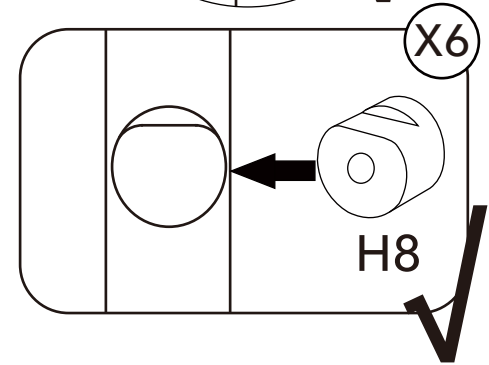
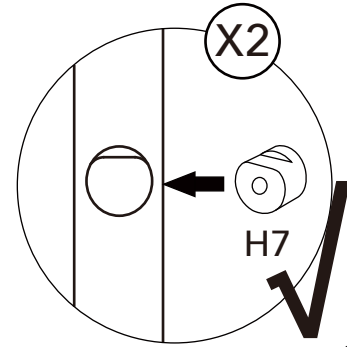
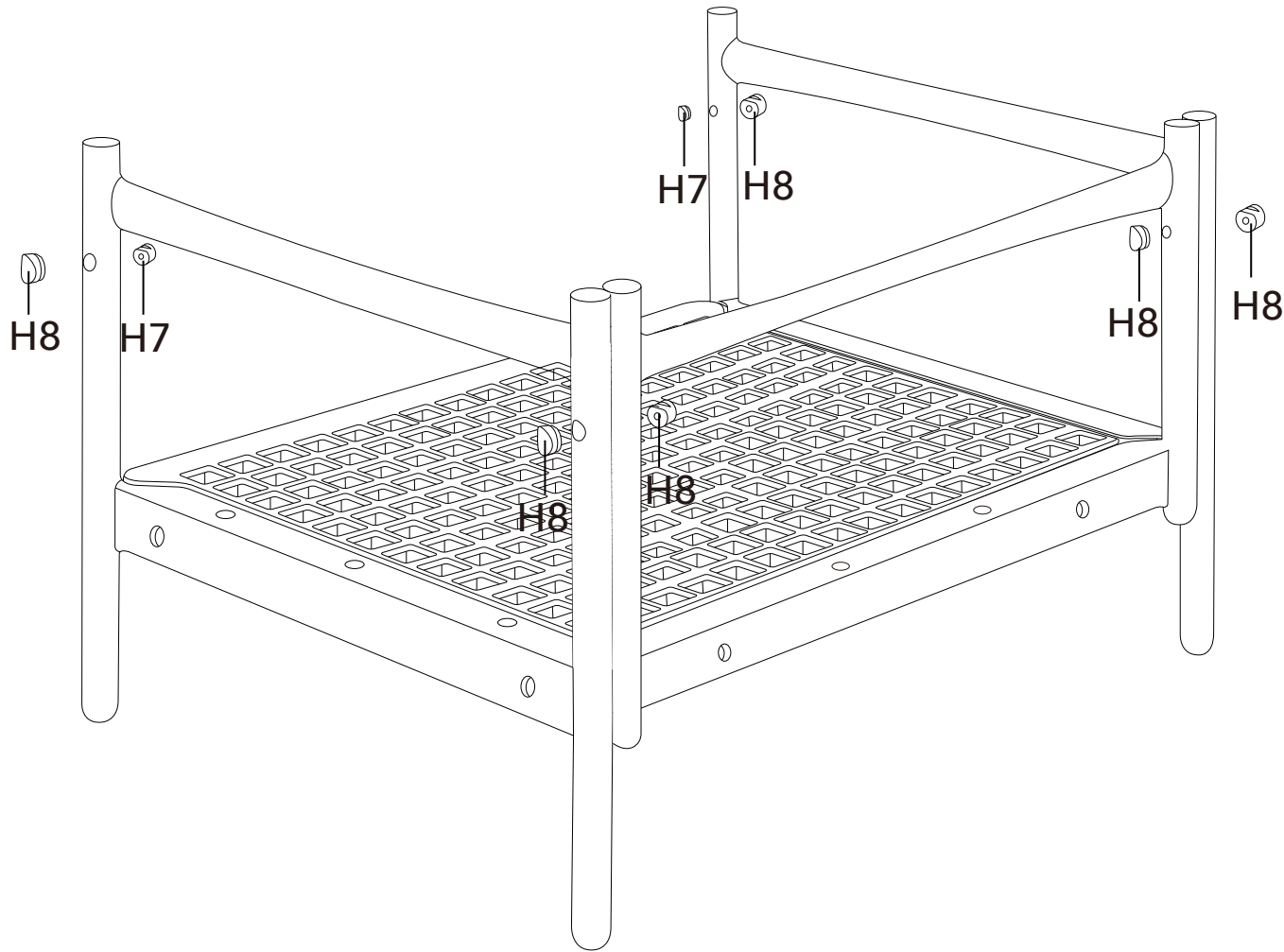
### STEP 4.



**STEP 5.**



# STEP 6.



**STEP 7.**

