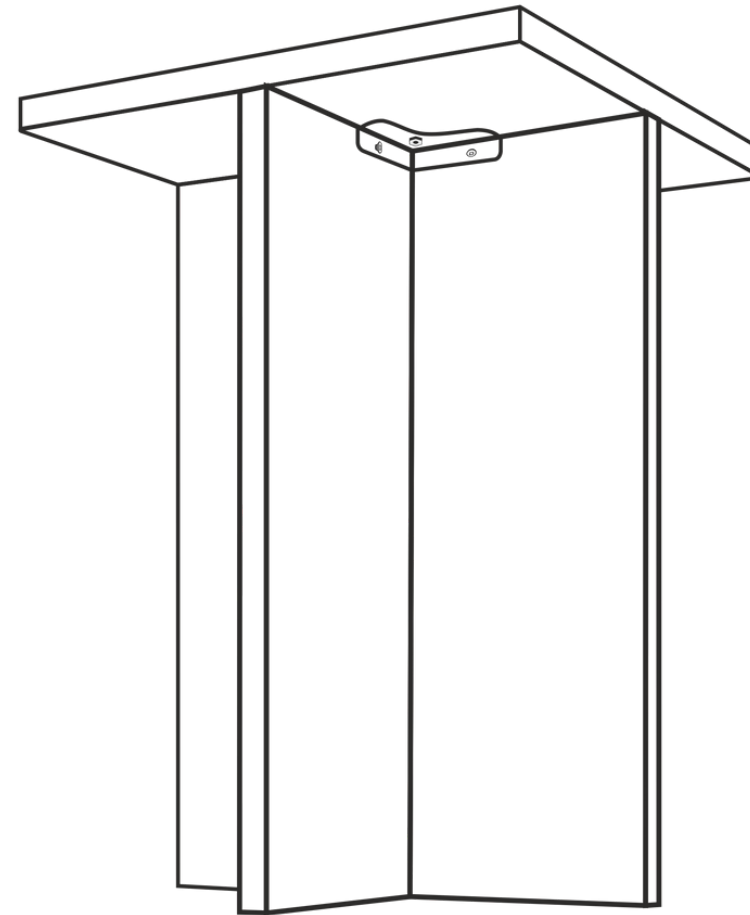


**MOE'S**  
home collection

**ASSEMBLY INSTRUCTIONS.**

**BLAIR ACCENT TABLE ROSSO LEVANTO MARBLE  
PJ-1024-06**



**THANK YOU FOR YOUR PURCHASE**

# PARTS

## PARTS LIST

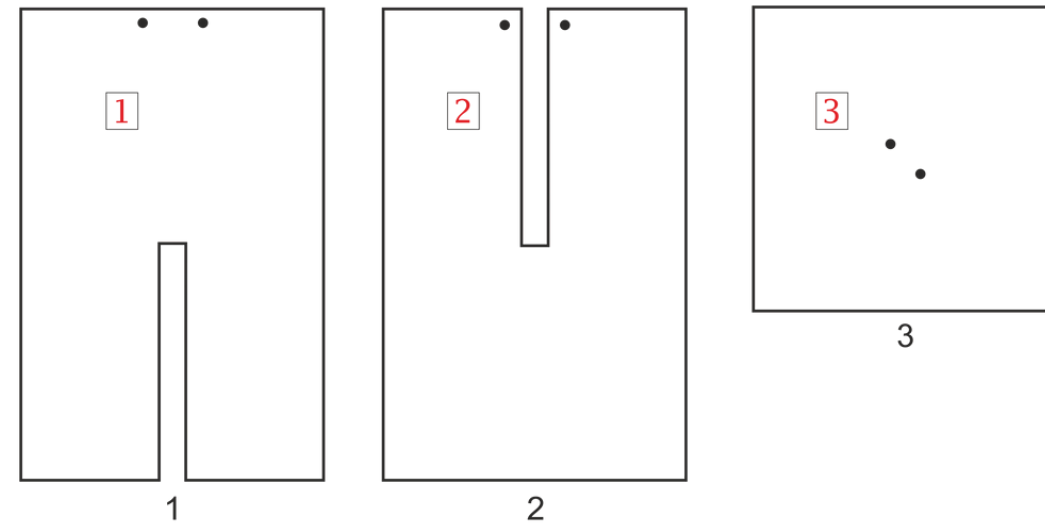
NO.	DESCRIPTION	IMAGE	QTY
A	Leg 1		1
B	Leg 2		1
C	Top		1

### NOTES.

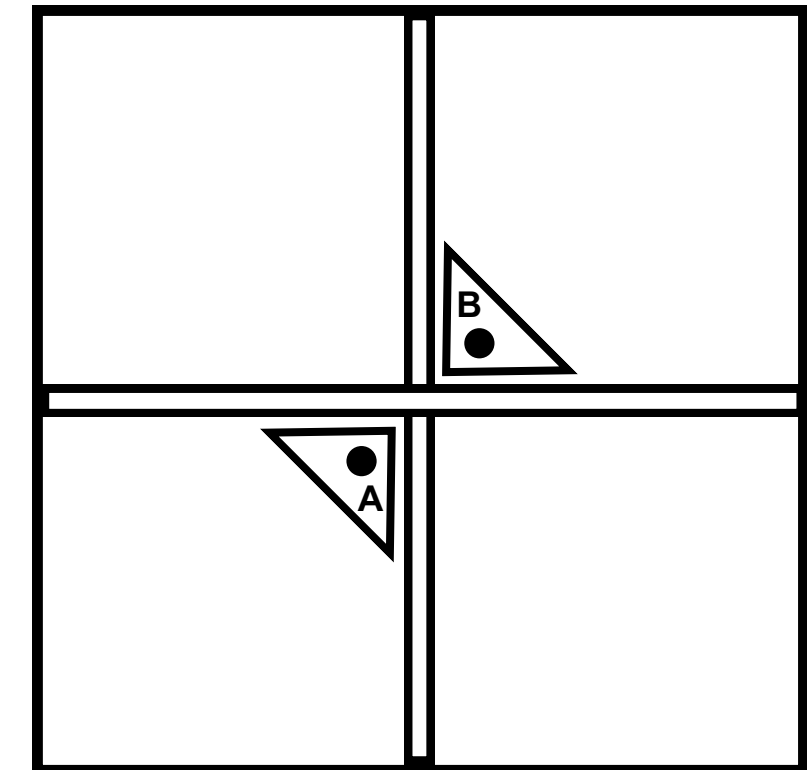
Thank you for this quality product!  
Be sure to check all packing material carefully for small part that May have come loose inside the carton during shipping.

**CAUTION:** The item is heavy, assembly should be performed by two people.

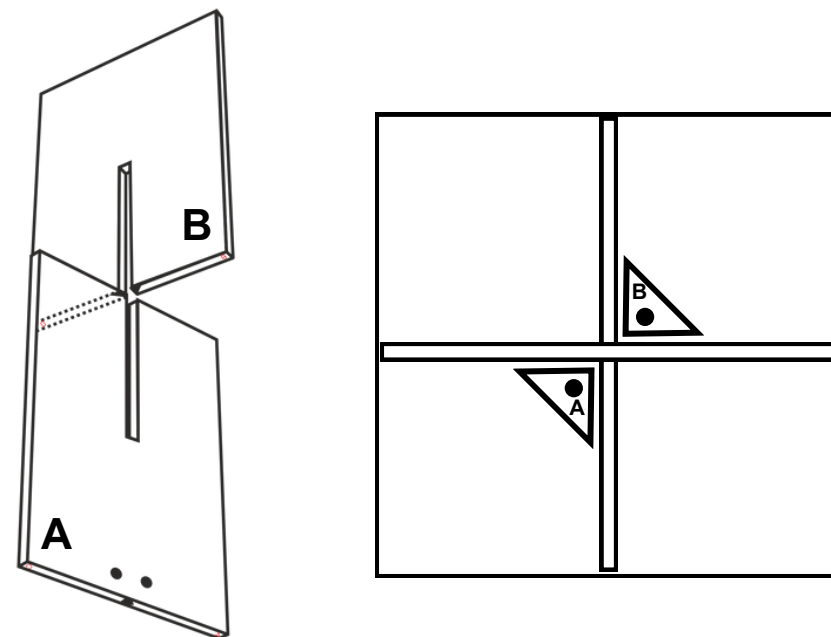
**STEP 1.**  
Place the three stone parts labeled 1 2 3 flat on the floor



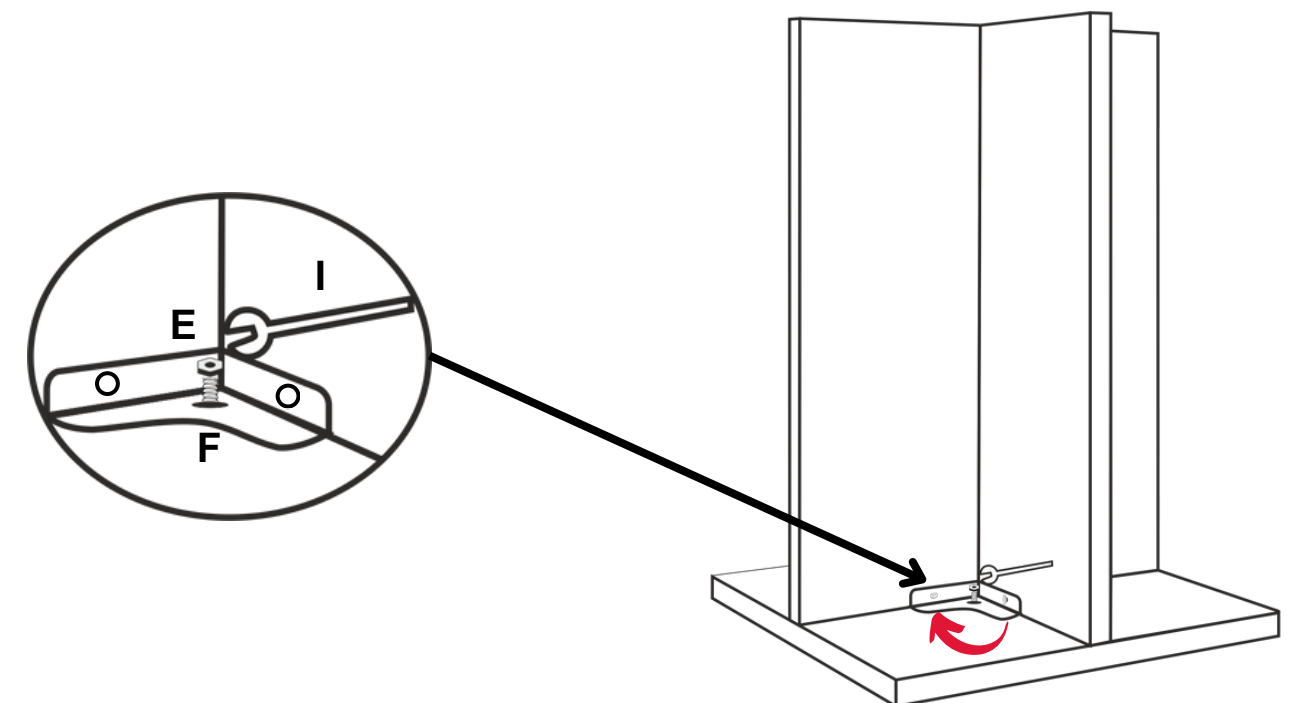
**STEP 2.**  
Top need to flatten on floor & match the Leg(A) with A mark & Leg(B) with B mark



**STEP 3.**  
Hold Part 2 upright with someone's help slide the Part 1 ensuring the sticker match together A with A & B with B




**STEP 4.**  
The marble top need to be tighten with the help of bolt & spanner



# HARDWARE

## HARDWARE LIST

D	Bolts 33mm X 6mm		4
E	Nuts 8mm		6
F	Washer		10
G	L Key		1
H	Metal Angle		2
I	Spanner		1

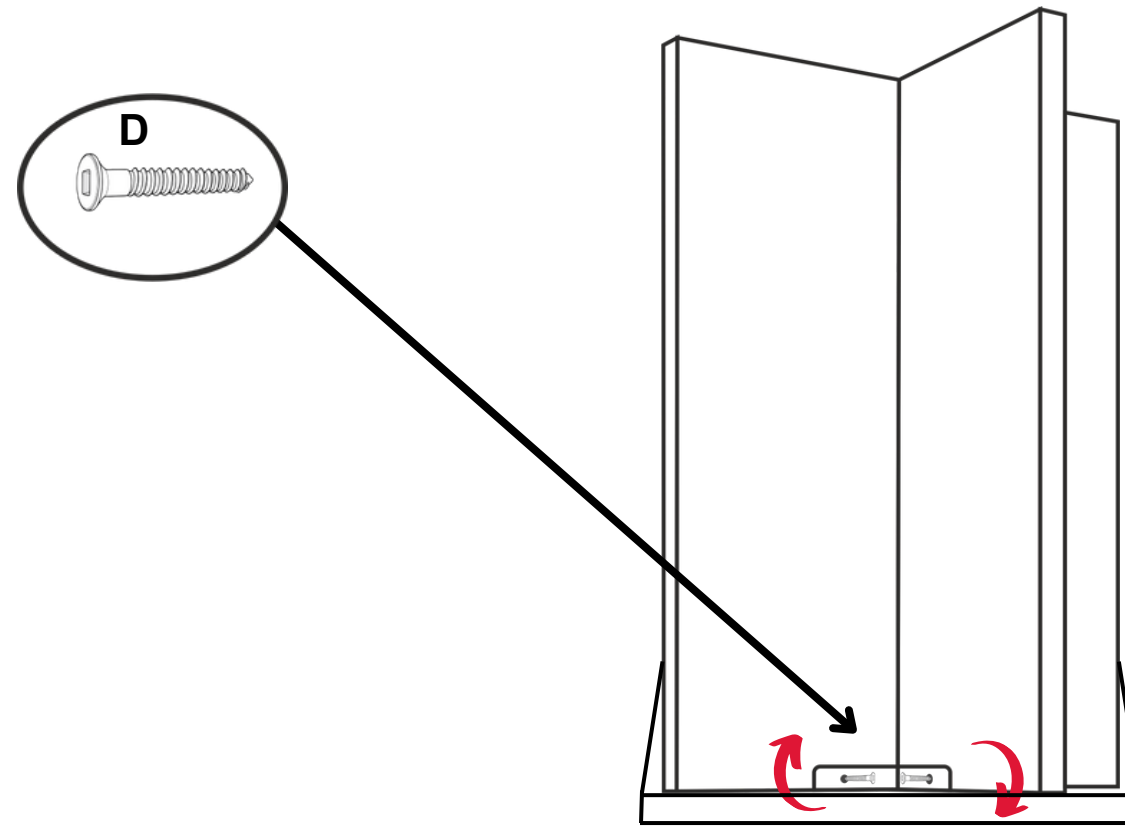
### NOTES.

Thank you for this quality product!  
Be sure to check all packing material carefully for small part that May have come loose inside the carton during shipping.

**CAUTION:** The item is heavy, assembly should be performed by two people.

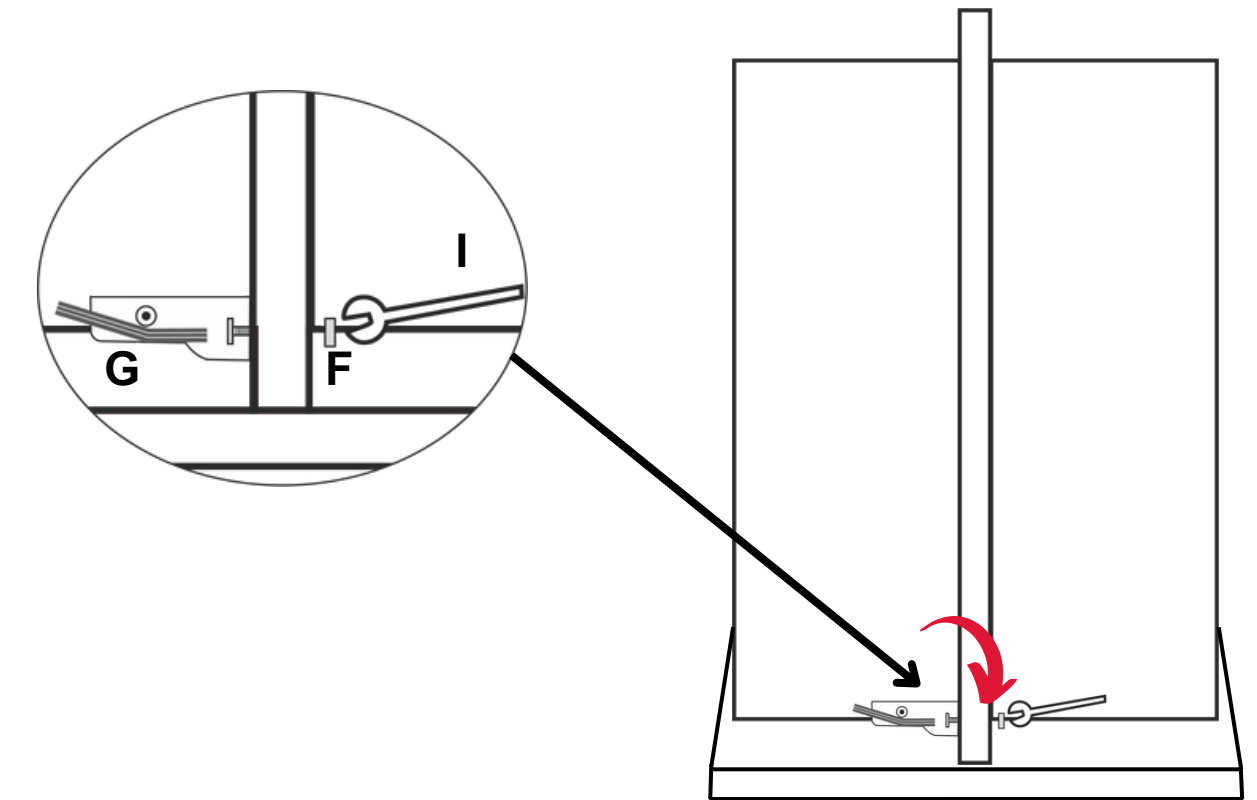
### STEP 4.

We have to screw the metal angle with marble legs



### STEP 5.

Metal angle and marble legs need to tighten with the help of L key and Spanner



### STEP 7.

Just turn your table upside down with the help of two person & your table is ready to use

