

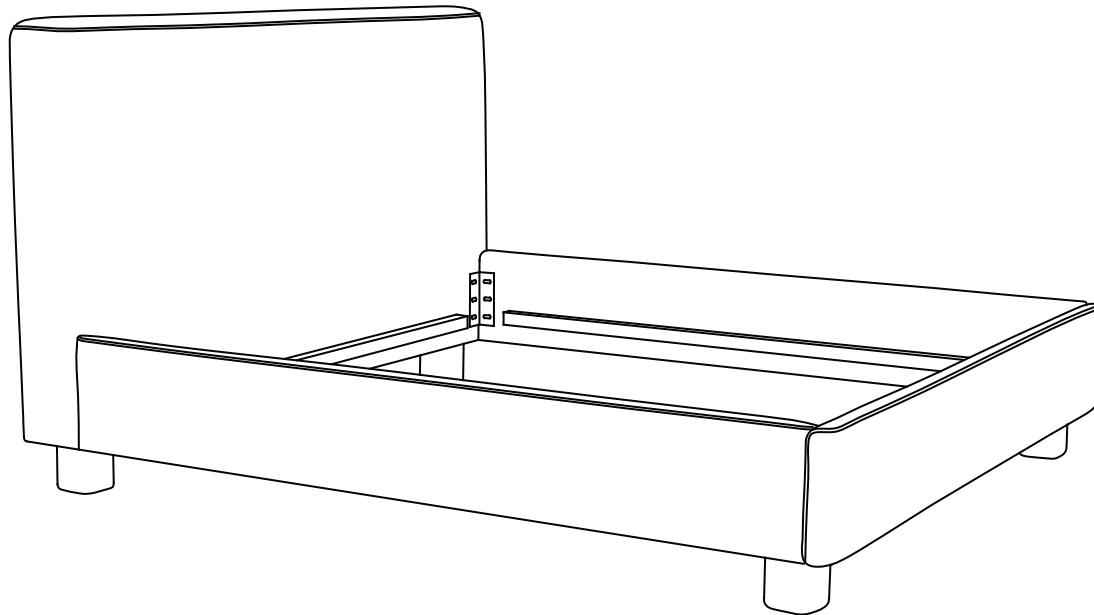
# MOE'S

home collection

## ASSEMBLY INSTRUCTIONS.

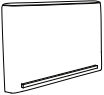
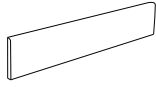
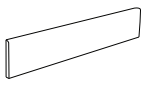

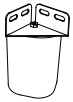
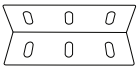
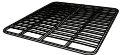




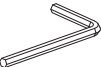



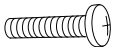
ICHIGO KING BED DEEP ORANGE

OA-1003-12-0



THANK YOU FOR YOUR PURCHASE!

# PARTS AND HARDWARE.

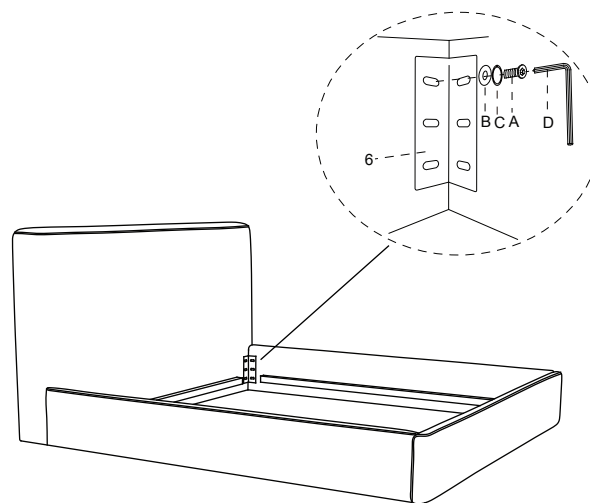
1. HEADBOARD x 1 	2. FOOTBOARD x 2 	3. LEFT SIDE RAIL x 1 
4. RIGHT SIDE RAIL x 2 	5. CENTER RAIL x 2 	6. SLATS x 4 
7. 	8. x2 	
A M8*3cm x24 	B x24 	C x24 
D M6*1 	E M6*3cm x8 	F M8*12cm x2 
G x4 	H x4 	

## NOTES.

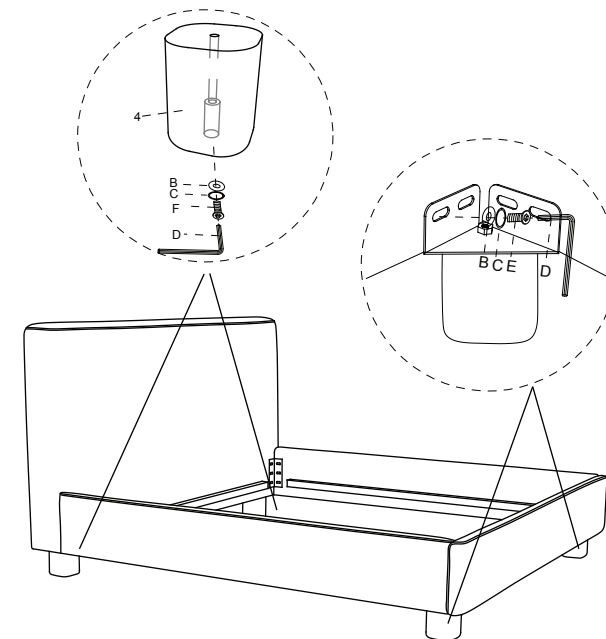
Thank you for purchasing this quality product!  
Be sure to check all packing material carefully for small part that may have come loose inside the carton during shipping.

**CAUTION:** The item is heavy, assembly should be performed by two people.

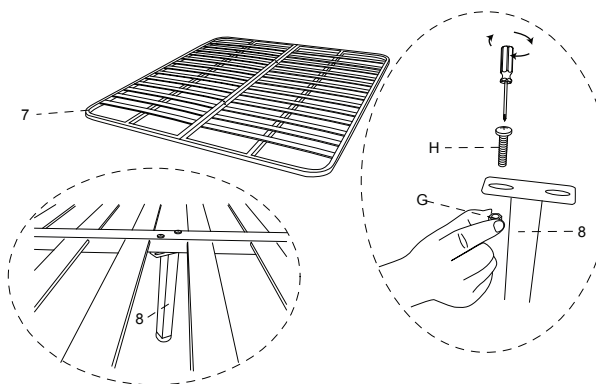
## STEP 1.



## STEP 2.



## STEP 3.



## STEP 4.

