

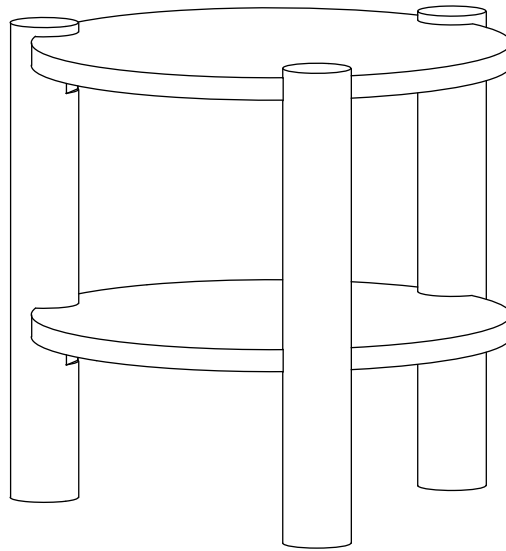
# MOE'S

home collection

## **ASSEMBLY INSTRUCTIONS.**

OLSEN ACCENT TABLE VINTAGE BROWN

**JD-1087-03**



THANK YOU FOR YOUR PURCHASE!

## PARTS AND HARDWARE.

(A) Top, 2x



(B) Legs, 3x



(C) Allen Bolt, 6x



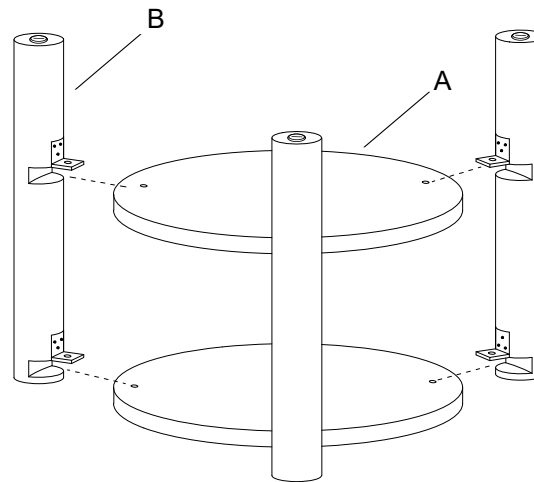
(D) Washer, 6x



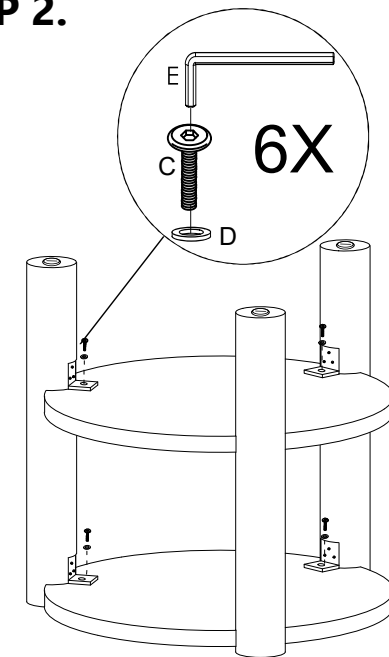
(E) Allen Key, 1x



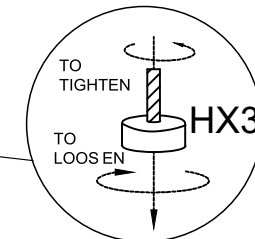
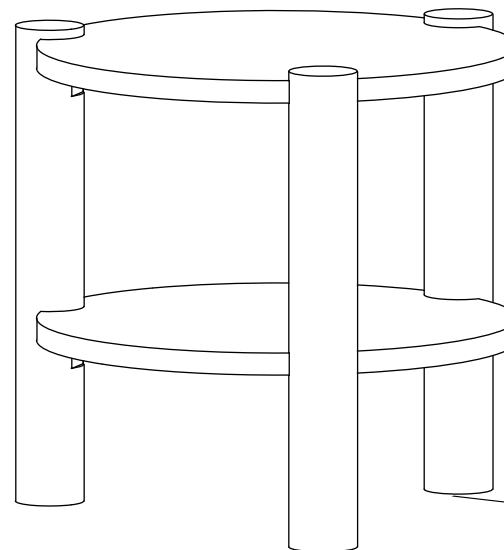
## STEP 1.



## STEP 2.



## STEP 3.



## NOTES.

Thank you for purchasing this quality product! Be sure to check all packing material carefully for small part that may have come loose inside the carton during shipping.

**CAUTION:** The item is heavy, assembly should be performed by two people.