

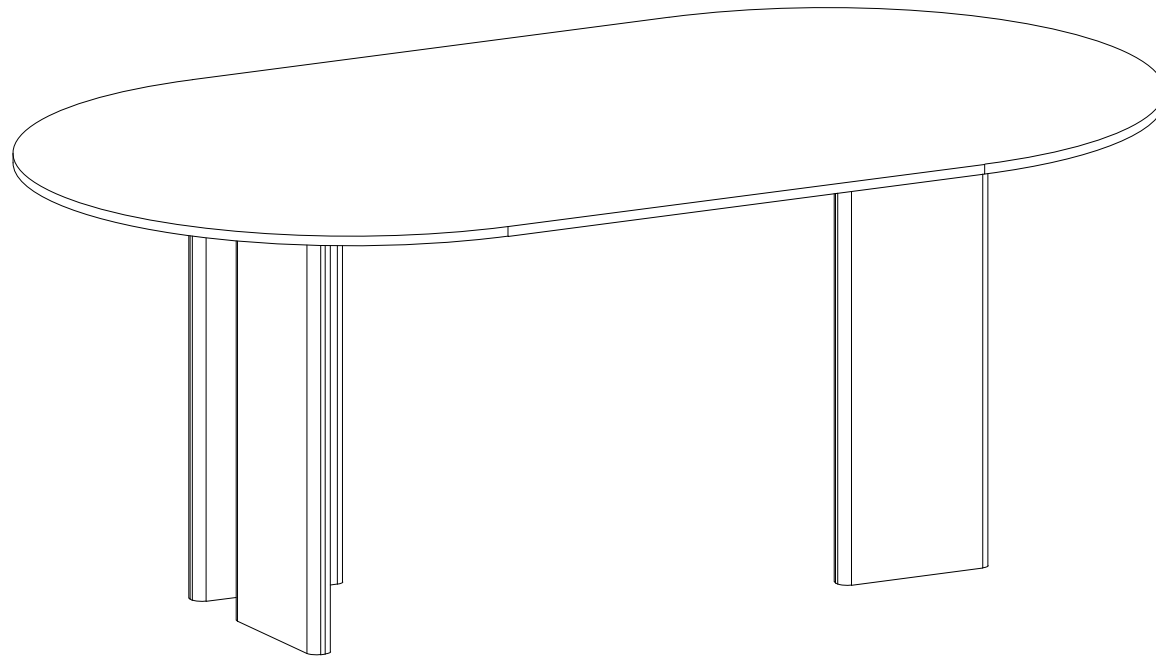
MOE'S

h o m e c o l l e c t i o n

ASSEMBLY INSTRUCTIONS.



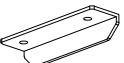

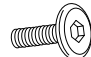


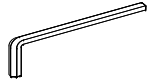

CELIA OVAL DINING TABLE PANDA MARBLE

JD-1075-37-0



THANK YOU FOR YOUR PURCHASE!


PARTS AND HARDWARE

| | |
|---|---|
| (A) Top , 1x  | (B) Assembly Plate, 4x  |
| (C) Support Plate, 8x  | (D) Leg, 4x  |
| (E) Flat Head Bolts, 16x (20x8mm)  | (F) CSK Bolts, 12x (45x8mm)  |
| (G) Flat Washer, 16x (8mm)  | (H) Allen Key, 1x (5mm)  |
| (H) Spanner, (1x)  | |

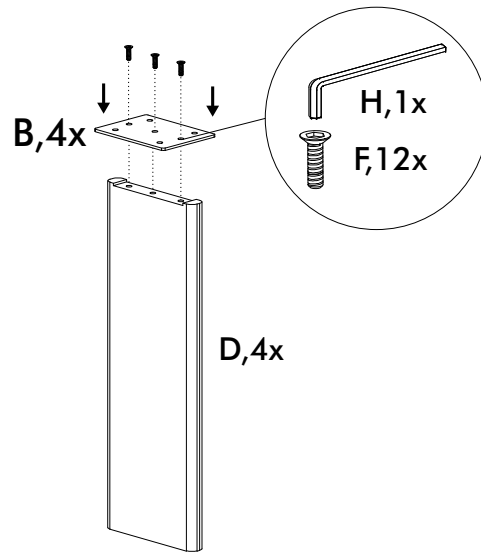
NOTES.

Thank you for purchasing this quality product! Be sure to check all packing material carefully for small part that may have come loose inside the carton shipping.

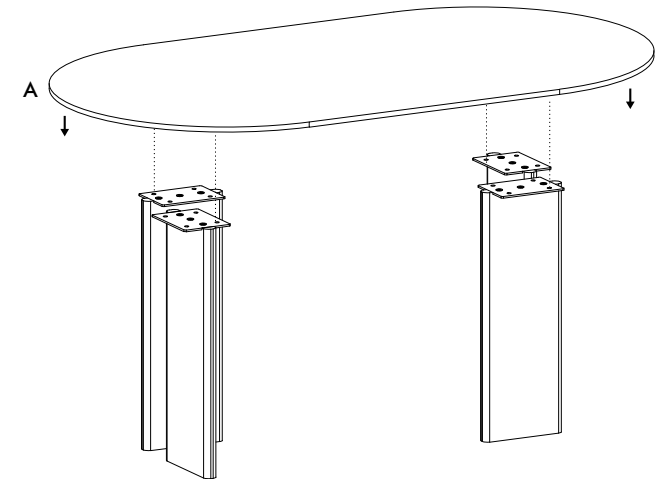
CAUTION: This product is very heavy (approximately 605.7 lbs/275.3 kg), handle with care.

- The table should never be attempted to be disassembled or assembled by less than 6 people. 
- The table should never be dragged or lifted into position.
- Before moving to a new location the table needs to be fully disassembled and re-assembled in its new location.

STEP 1.



STEP 2.



STEP 3.

