

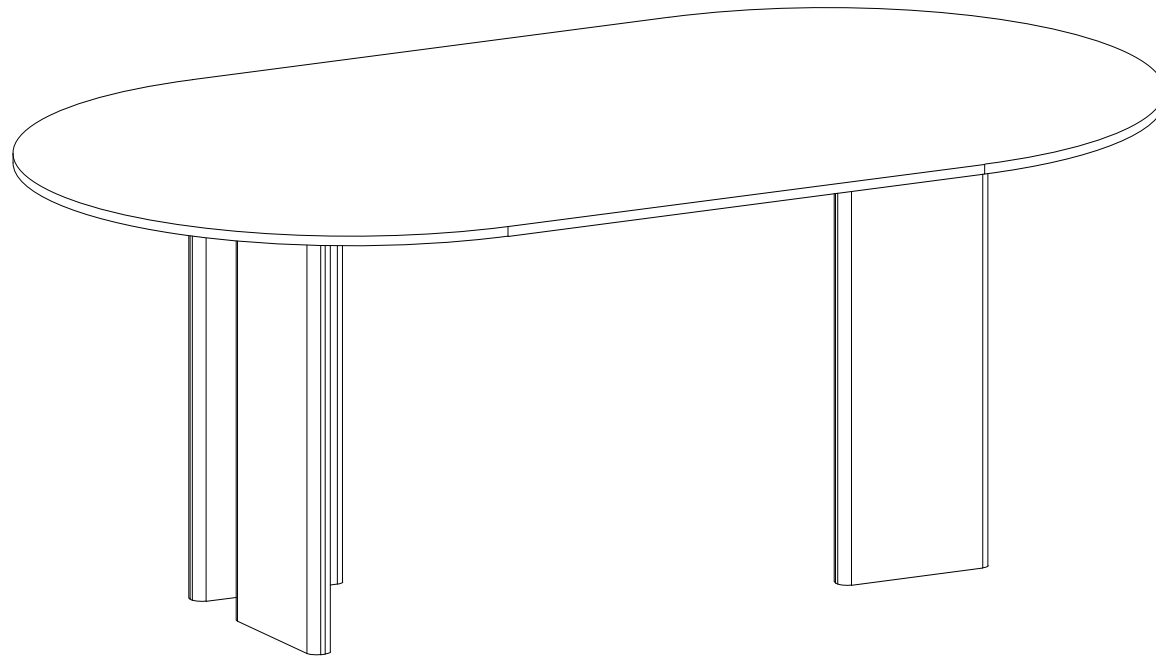
# MOE'S

h o m e c o l l e c t i o n

## **ASSEMBLY INSTRUCTIONS.**



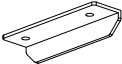

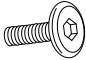


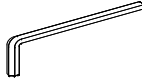

CELIA OVAL DINING TABLE GREEN ONYX MARBLE

**JD-1075-16-0**



THANK YOU FOR YOUR PURCHASE!


# PARTS AND HARDWARE

|   |   |
|---|---|
| (A) Top , 1x<br>                         | (B) Assembly Plate, 4x<br>         |
| (C) Support Plate, 8x<br>                | (D) Leg, 4x<br>                    |
| (E) Flat Head Bolts, 16x<br>(20x8mm)<br> | (F) CSK Bolts, 12x<br>(45x8mm)<br> |
| (G) Flat Washer, 16x<br>(8mm)<br>        | (H) Allen Key, 1x<br>(5mm)<br>     |
| (H) Spanner, (1x)<br>                    |   |

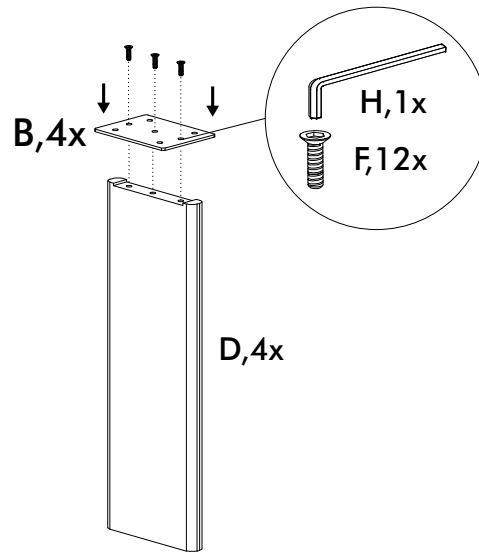
## NOTES.

Thank you for purchasing this quality product! Be sure to check all packing material carefully for small part that may have come loose inside the carton shipping.

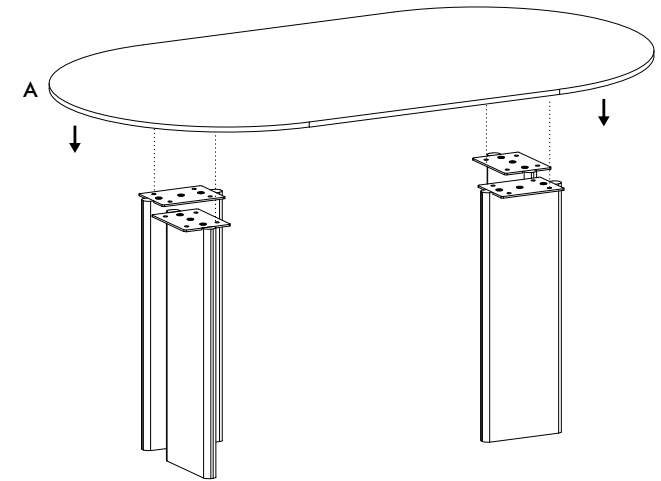
**CAUTION:** This product is very heavy (approximately 607.6 lbs/276.18 kg), handle with care.

- The table should never be attempted to be disassembled or assembled by less than 6 people. 
- The table should never be dragged or lifted into position.
- Before moving to a new location the table needs to be fully disassembled and re-assembled in its new location.

## STEP 1.



## STEP 2.



## STEP 3.

