

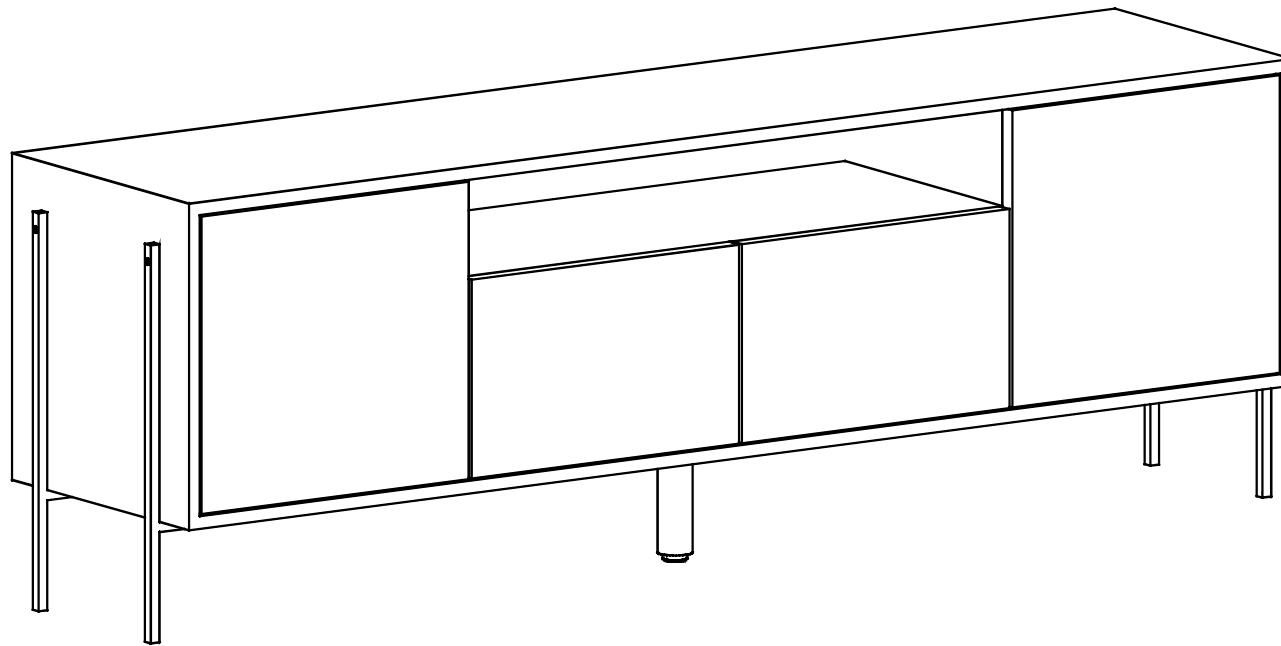
MOE'S

home collection

ASSEMBLY INSTRUCTIONS.

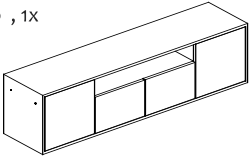
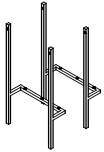
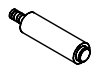



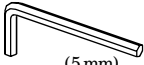

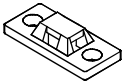

TOBIN ENTERTAINMENT UNIT CHARCOAL

JD-1004-07



THANK YOU FOR YOUR PURCHASE!

PARTS AND HARDWARE.

(A) Top , 1x 	
(B) Leg , 2x 	
(C) Center Leg, 1x 	(D) Allen bolt, 2x  16mm x 6 mm
(E) Allen bolt , 4x  20mm x 6 mm	(F) Allen bolt , 4x  25mm x 6 mm
(G) Allen Key , 1x  (5 mm)	(H) Shelf Holder Pin , 8x  (3 2x6 mm)
(I) Wall Clip , 2x 	(J) Zip Tie , 2x 

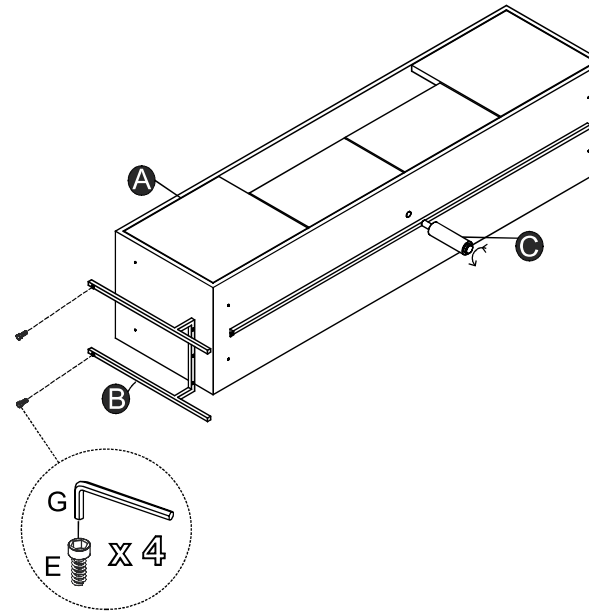
NOTES.

Thank you for purchasing this quality product! Be sure to check all packing material carefully for small part that may have come loose inside the carton during shipping.

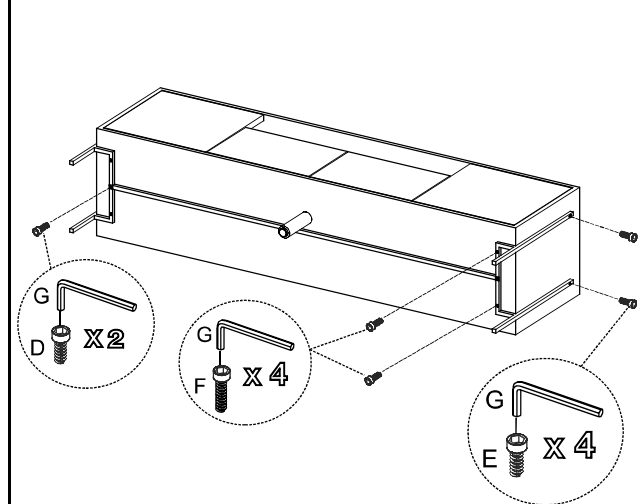
Please do not fully tighten all bolts until you finish assembling all parts. Once assembled, please go back to the rail and aligned then fully tighten all bolts. This will make assembly easier.

CAUTION:The item is heavy, assembly should be performed by two people.

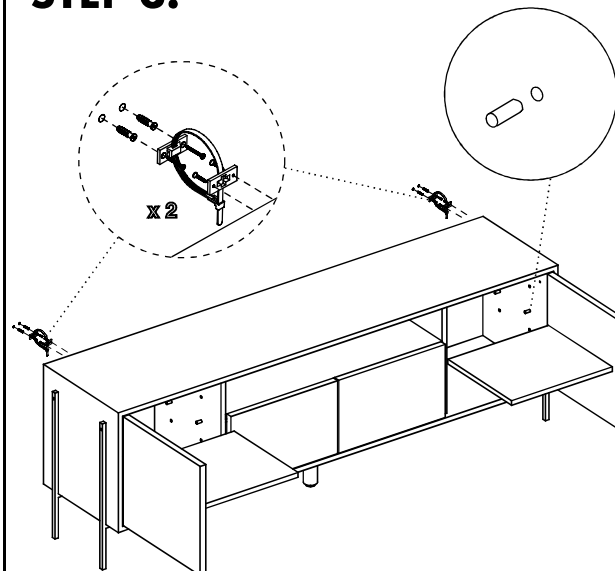
STEP 1.



STEP 2.



STEP 3.



STEP 4.

