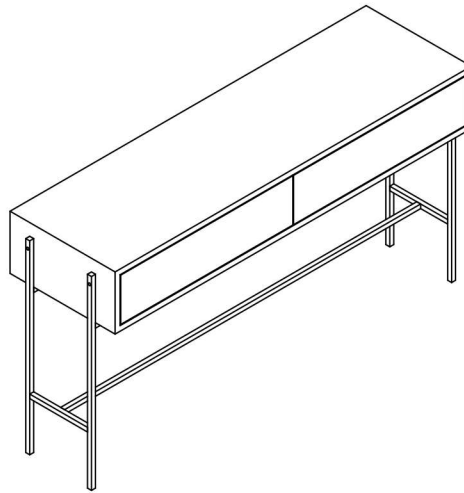


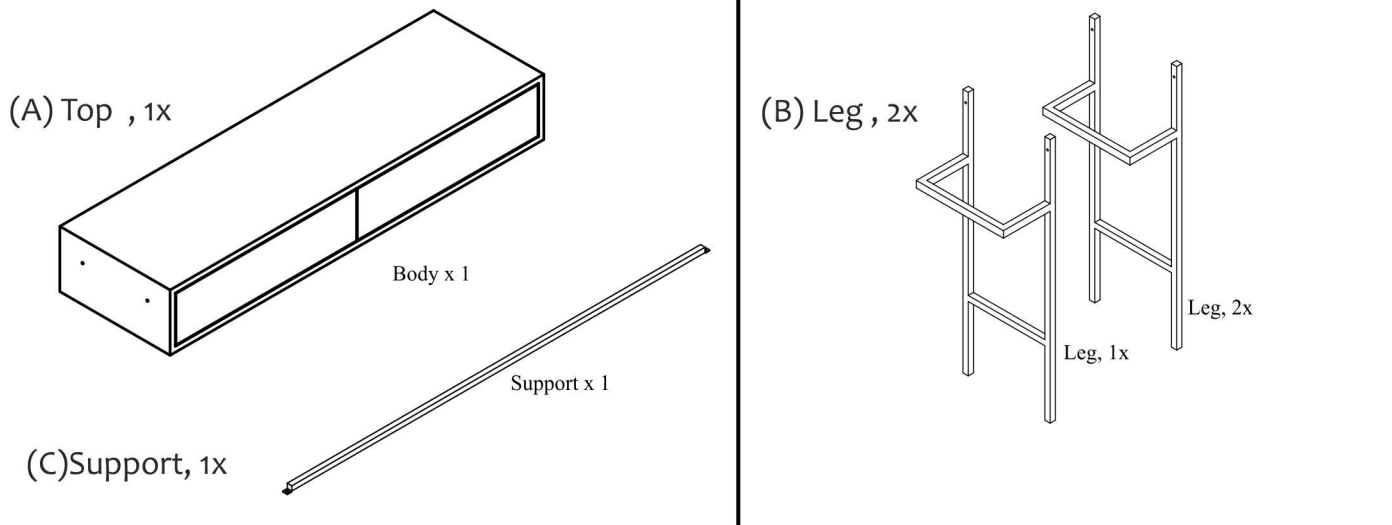
# MOE'S

home collection

## TOBIN CONSOLE TABLE JD-1003-12 ASSEMBLY INSTRUCTIONS



### Components:



### Hardware & Tools:

(D) Allen bolt , 4x



16mm x 6 mm

(E) Allen bolt , 4x



20mm x 6 mm

(F) Allen bolt , 4x



25mm x 6 mm

(G) Allen Key , 1x

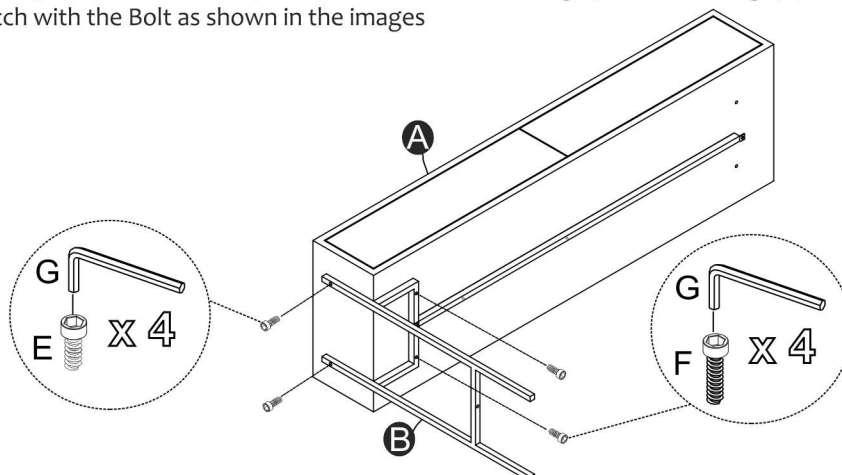


#### Before beginning:

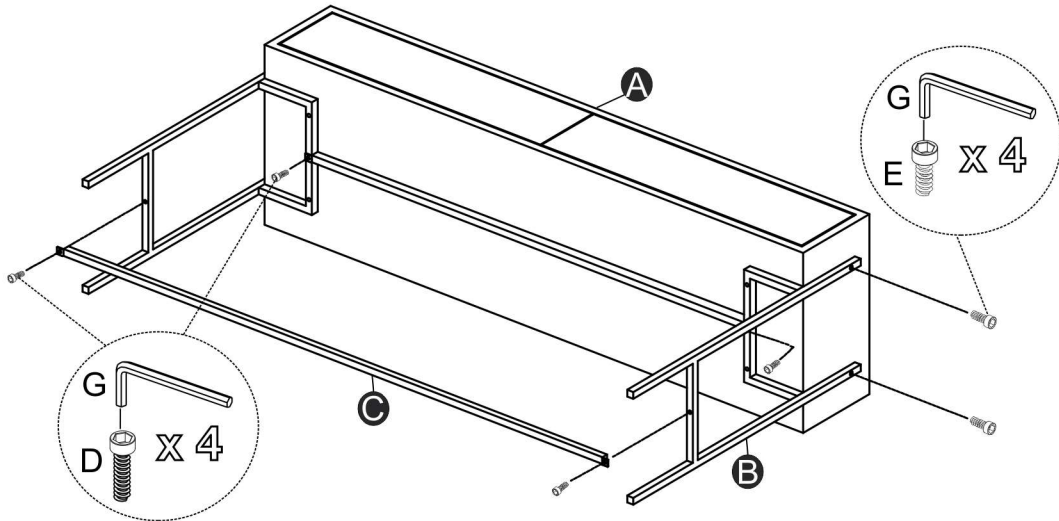
- o Unpack all part and hardware to ensure you have all needed components for assembly
- o Read the guide cover to cover before beginning assembly.
- o Have 2 adults on hand for assembly.
- o Assembly on a padded, no - marring surface.
- o Save all packaging until finish.

#### Assembly steps

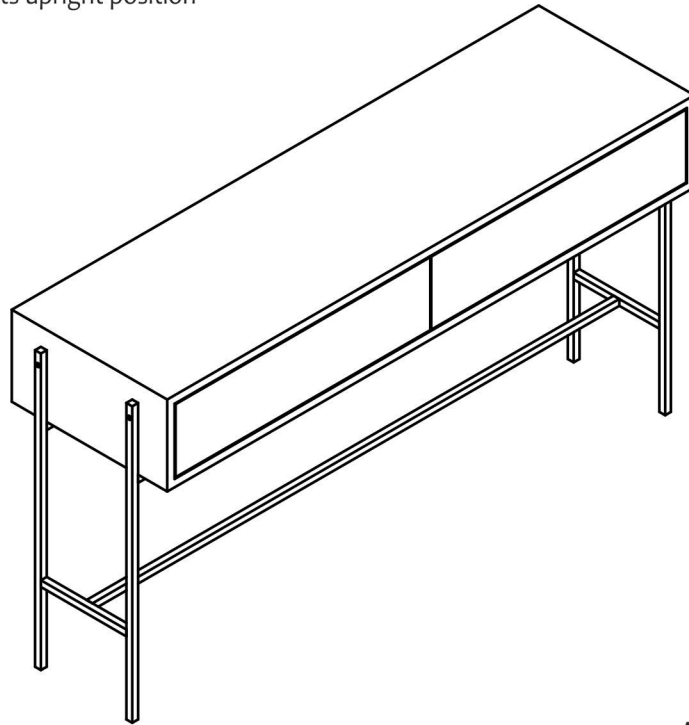
**Step 1:** Lay the table ( A ) on a soft surface, with the inserted nuts facing up. Place the Legs(B) making them match with the Bolt as shown in the images



**Step 2:** Attach the legs (B) and support(C) using the Bolts(D),(E) ,(F) and Allen Key (G) provided



**Step 3:** Turn the Table on its upright position



**Assembly complete**

### Care Instruction:

- o Do not clean furniture with harsh cleansers or polish.
- o Do not put hot items directly on furniture surface.
- o Do not put furniture in direct sunlight.
- o Dust and pick up spills with a clean, non-colored, lint-free cloth.
- o Stains may be removed with mild soap and damp cloth.

Thank you!