

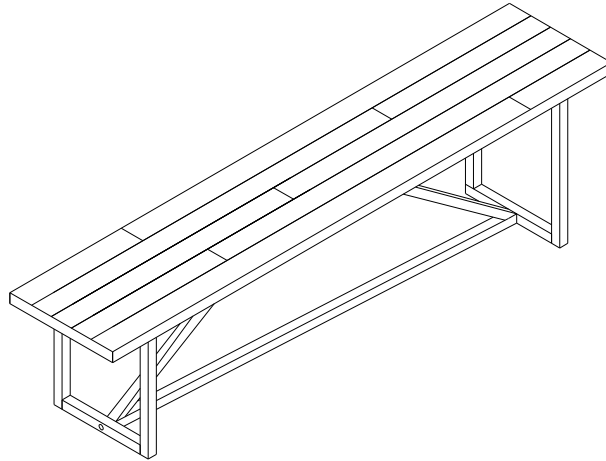
# MOE'S

home collection

## **ASSEMBLY INSTRUCTIONS.**

SIERRA BENCH BLACK





FR-1018-02










THANK YOU FOR YOUR PURCHASE!

## PARTS AND HARDWARE.

### PARTS LIST

NO.	DESCRIPTION	IMAGE	Q'TY
P1	SEAT FRAME		1
P2	LEGS FRAMES		2
P3	SUPPORT BAR		2
P4	STRETCHER		1

### HARDWARE LIST

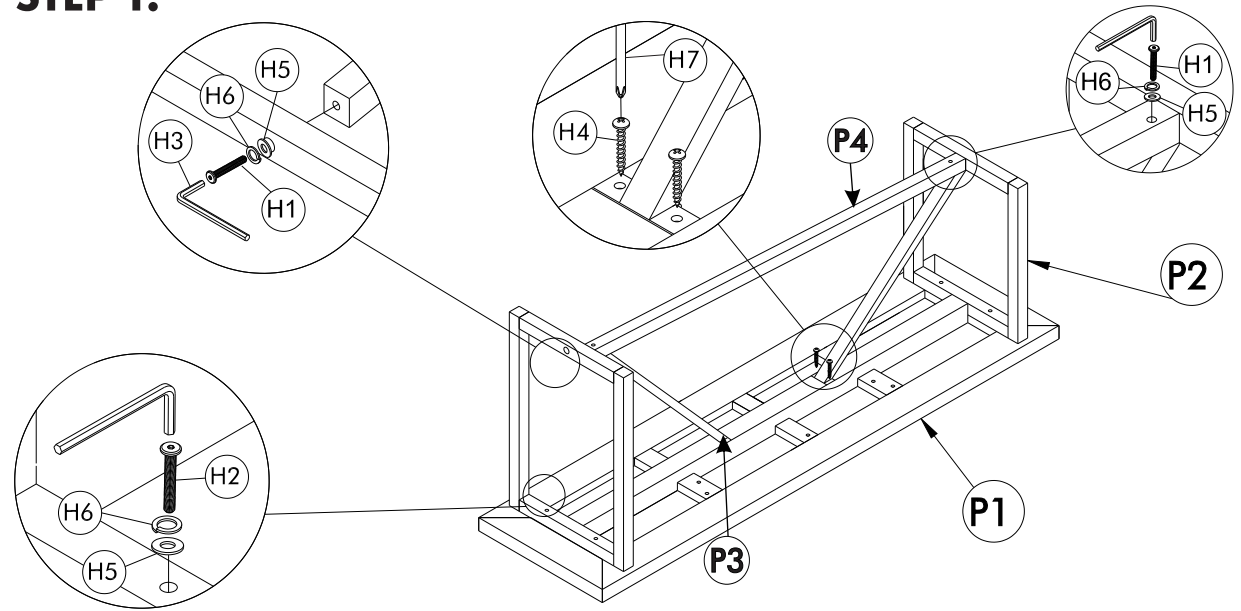
NO.	DESCRIPTION	IMAGE	Q'TY
H1	BOLT M8x40		4
H2	BOLT M8x50		4
H3	ALLEN KEY M4		1
H4	SCREWS Ø4x35		4
H5	FLAT WASHER M8		8
H6	SPRING WASHER		8
H7	SCREW DRIVER		NOT PROVIDE

## NOTES.

Thank you for purchasing this quality product! Be sure to check all packing material carefully for small part that may have come loose inside the carton during shipping.

**CAUTION:** The item is heavy, assembly should be performed by two people.

## STEP 1.



## STEP 2.

