

# MOE'S

home collection

## ASSEMBLY INSTRUCTIONS.

TAKASHI CHAIR DARK BROWN-M2

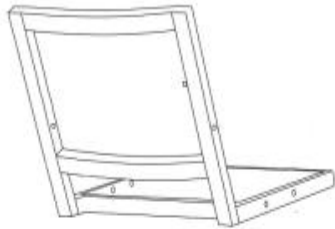
FG- 1022-20



THANK YOU FOR YOUR PURCHASE !

## PARTS AND HARDWARE.

1. SEAT & BACK x 1



2. LEGS x 2



3. BOLT M6-50 x 6



4. FLAT WASHER x 6



5. WRENCH x 1

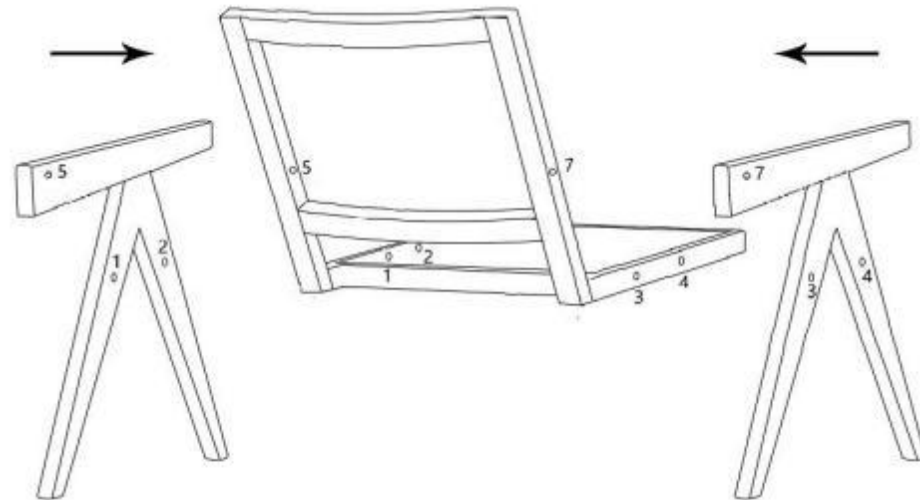


## NOTES.

Thank you for purchasing this quality product!  
Be sure to check all packing material carefully  
for small part that may have come loose inside  
the carton during shipping.

**CAUTION:** Ensure not to over tighten screws  
to reduce the risk of stripping or breakage.

## STEP 1.



## STEP 2.

