

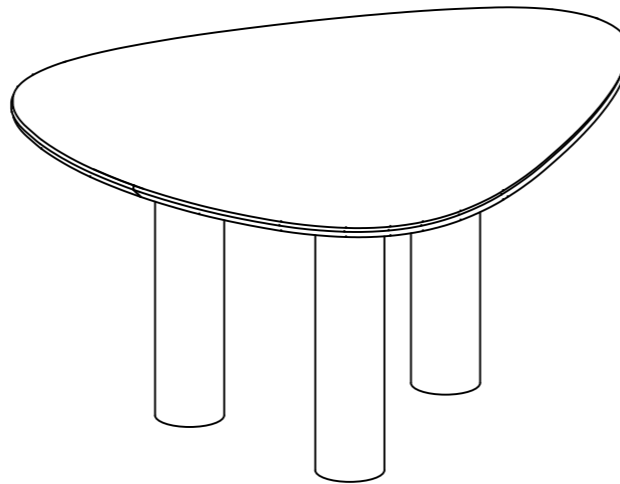
# MOE'S

home collection

## ASSEMBLY INSTRUCTIONS.





FINLEY DINING TABLE SMOKED

EW-1019-20-0



THANK YOU FOR YOUR PURCHASE!

# PARTS AND HARDWARE.

| NO. | DESCRIPTION        | IMAGE   | Q'TY |
|-----|--------------------|---|------|
| A   | Table top          |  | 1    |
| B   | Base               |  | 3    |
| C   | Bolts<br>(M6*15mm) |  | 12   |
| D   | Allen key          |  | 1    |

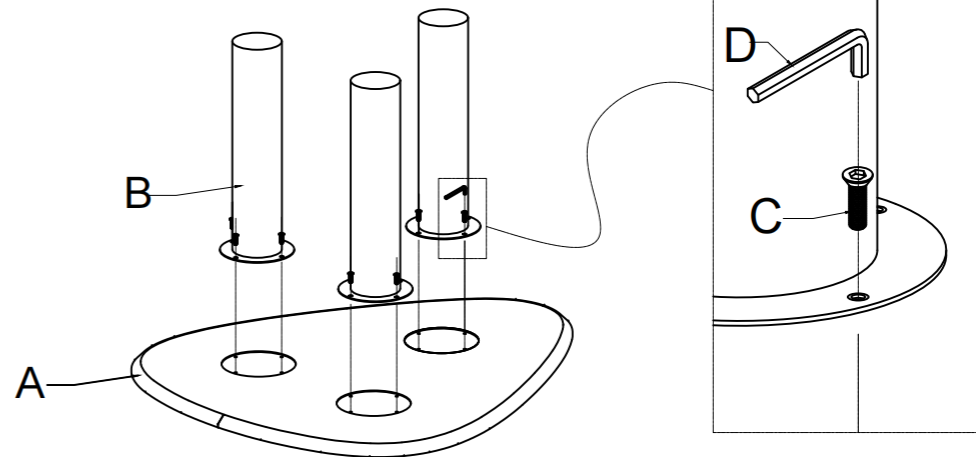
## NOTES

Thank you for purchasing this quality product!  
Be sure to check all packing material carefully for small part that may have come loose inside the carton during shipping.

**Caution:** The item is heavy, assembly should be performed by two people.

## STEP 1.

Assembling Legs with bolts (C), and Allen key (D) tightly.



## STEP 2.

Assembly finished.

Reminder: Need at least 2 adults to lift up the assembled table completely, and keep the table away from the floor, then turn over the table.

