

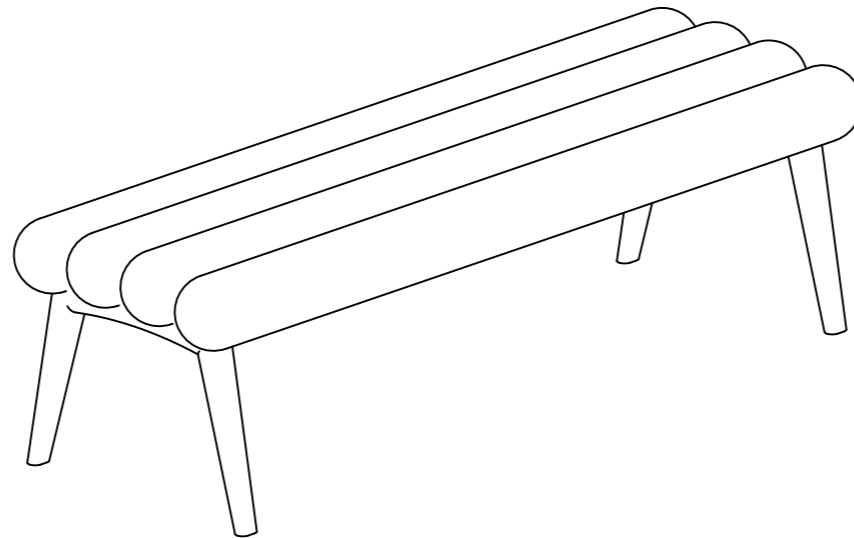
MOE'S

home collection

ASSEMBLY INSTRUCTIONS.

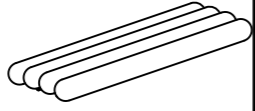





ARLO BENCH PERFORMANCE FABRIC DARK BROWN

EW-1015-20



THANK YOU FOR YOUR PURCHASE!

PARTS AND HARDWARE

| NO. | DESCRIPTION | IMAGE | Q'TY |
|-----|------------------------|---|------|
| A | Seat |  | 1 |
| B | Wood leg |  | 2 |
| C | Bolts (M8*35mm) |  | 8 |
| D | Washer (Ø8*Ø19*2mm) |  | 8 |
| E | Spring washer |  | 8 |
| F | Allen key |  | 1 |

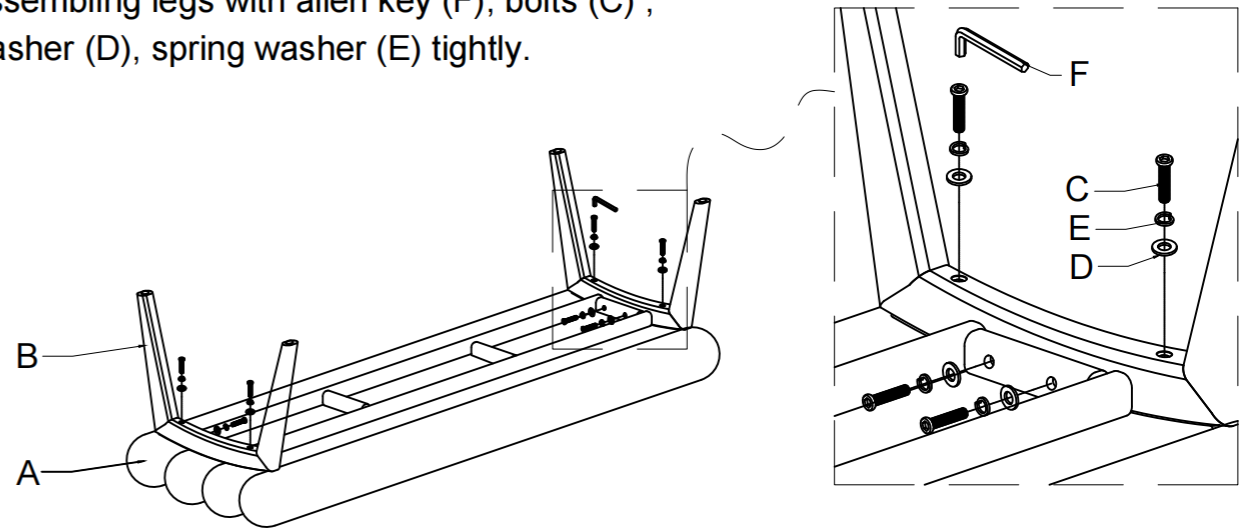
NOTES.

Thank you for purchasing this quality product!
Be sure to check all packing material carefully for small part that may have come loose inside the carton during shipping.

Caution: The item is heavy, assembly should be performed by two people.

STEP 1.

Assembling legs with allen key (F), bolts (C), washer (D), spring washer (E) tightly.



STEP 2.

Assembly finished .

