

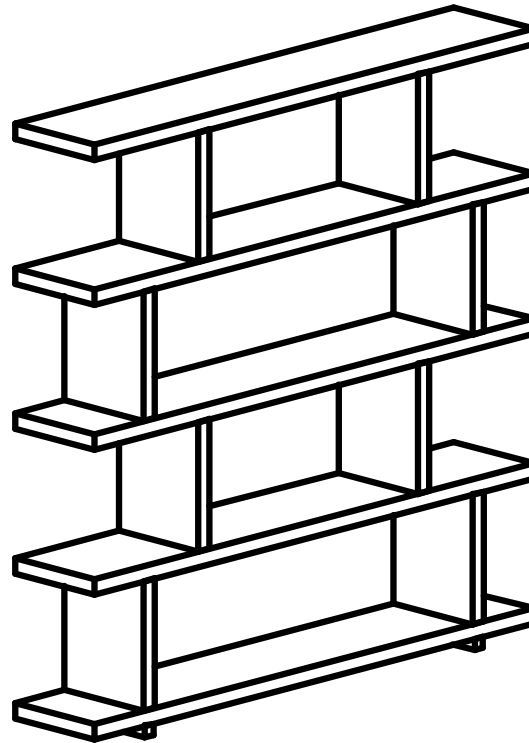
# MOE'S

home collection

## **ASSEMBLY INSTRUCTIONS.**













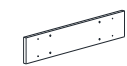
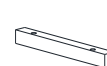




MIRI SHELF LARGE WHITE

**ER-1073-18**



THANK YOU FOR YOUR PURCHASE!

## PARTS AND HARDWARE.

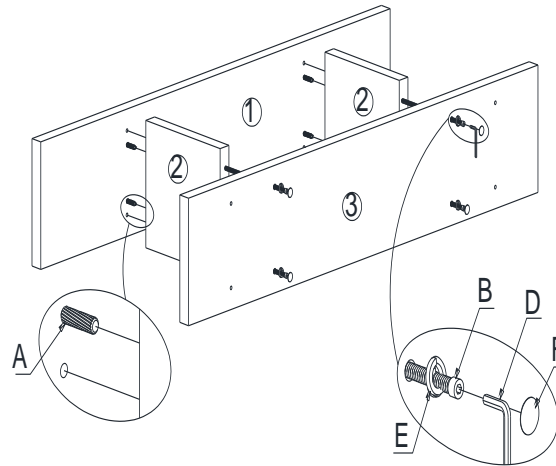
1. TABLE TOP x 1 		4. MIDDLE SHELF PANEL x 1 	
A. WOOD PLUG x 32 	B. BOLT M8*390 x 12 	G. SCREW M4*16 x 1 	H. FLAT WASHER DIA 12MM x 2 
2. MIDDLE SIDE PANEL x 8 		5. BOTTOM PANEL x 1 	
C. BOLT M8*420 x 4 	D. ALLEN KEY M6 x 1 	I. ANTI PRERVENTION DEVICE x 1 	J. WALL FIXING DEVICE x 1 
3. SHELF PANEL x 2 		6. LEG x 2 	
E. SPRING WASHER x 16 	F. STICKER x 12 	K. SCREW M4*25 x 1 	SCREW DRIVER (NOT INCLUDED) 

## NOTES.

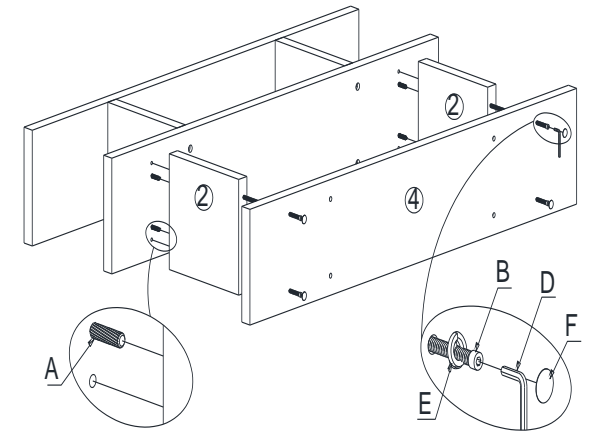
Thank you for purchasing this quality product! Be sure to check all packing material carefully for small part that may have come loose inside the carton during shipping.

**CAUTION:** The item is heavy, assembly should be performed by two people.

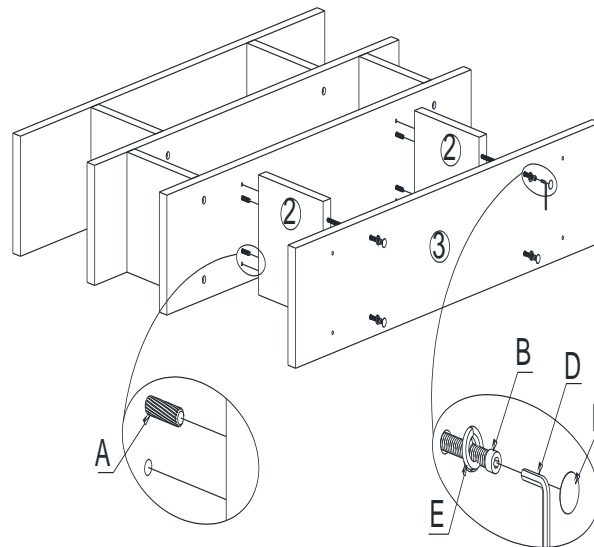
## STEP 1.



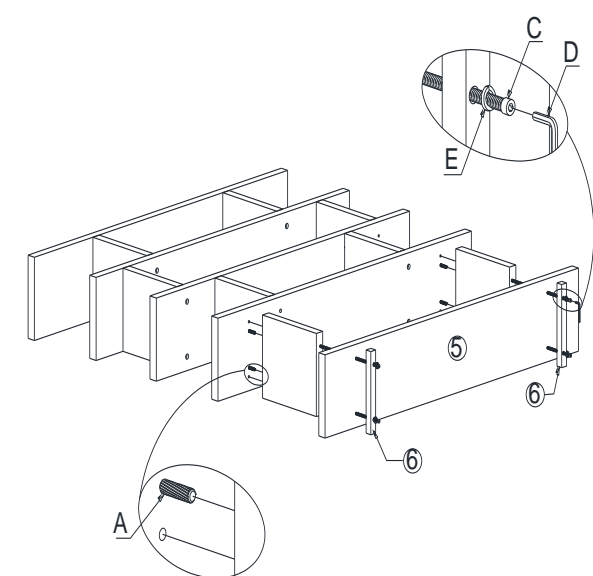
## STEP 2.



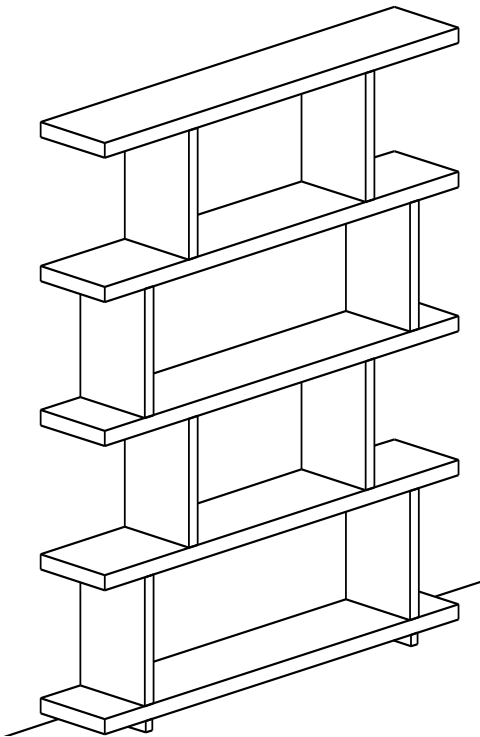
## STEP 3.



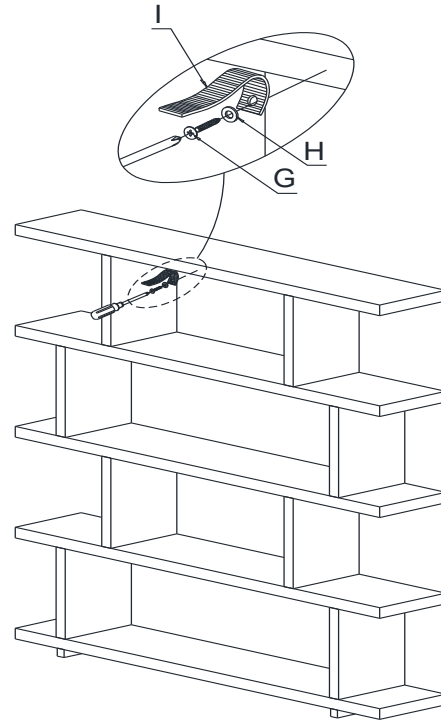
## STEP 4.



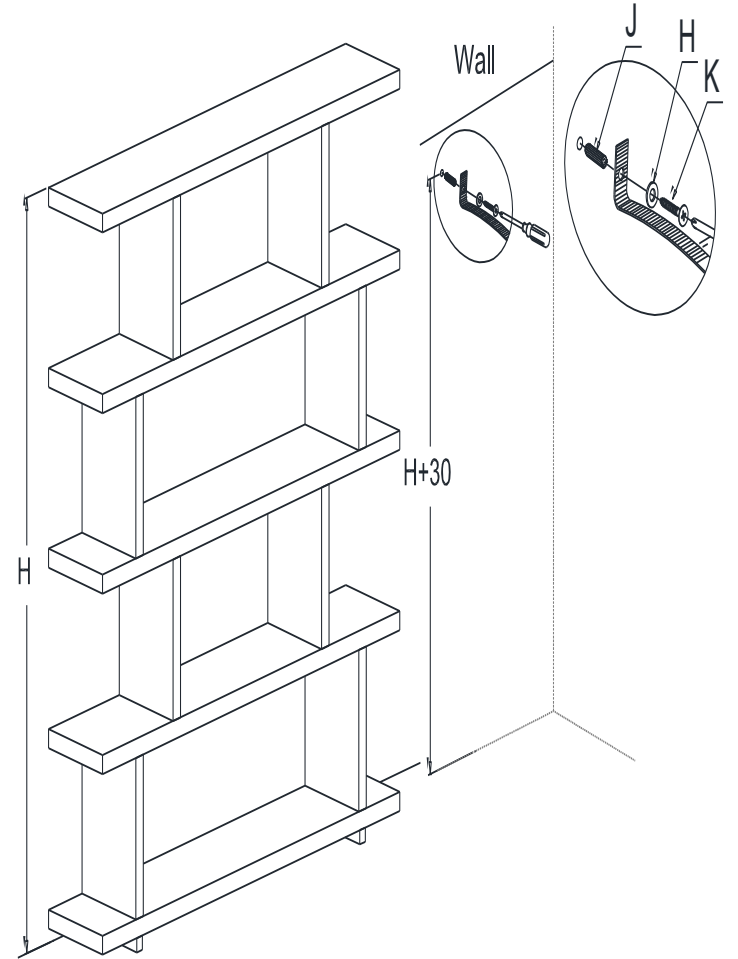
### STEP 5.



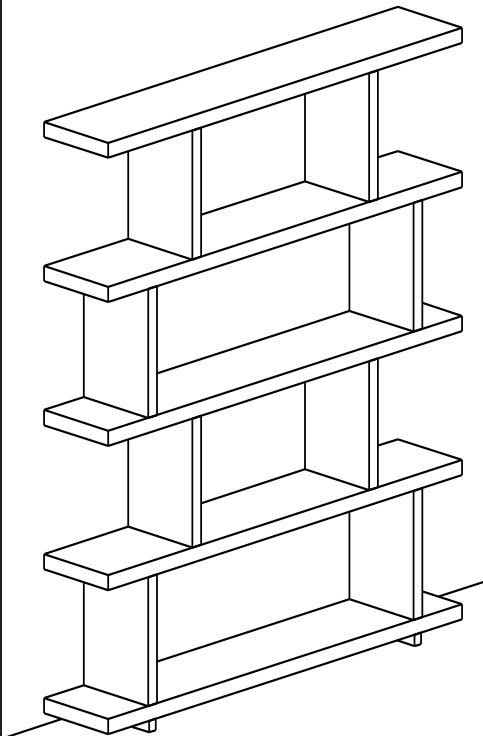
### STEP 6.



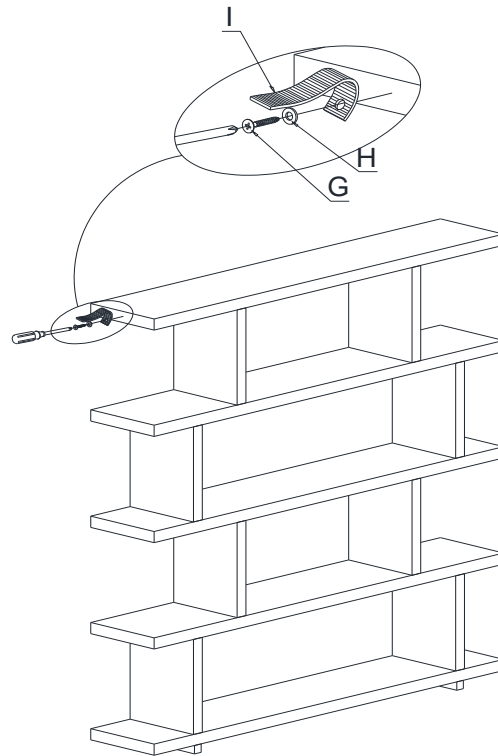
### STEP 7.



### STEP 8.



### STEP 9.



### STEP 10.

