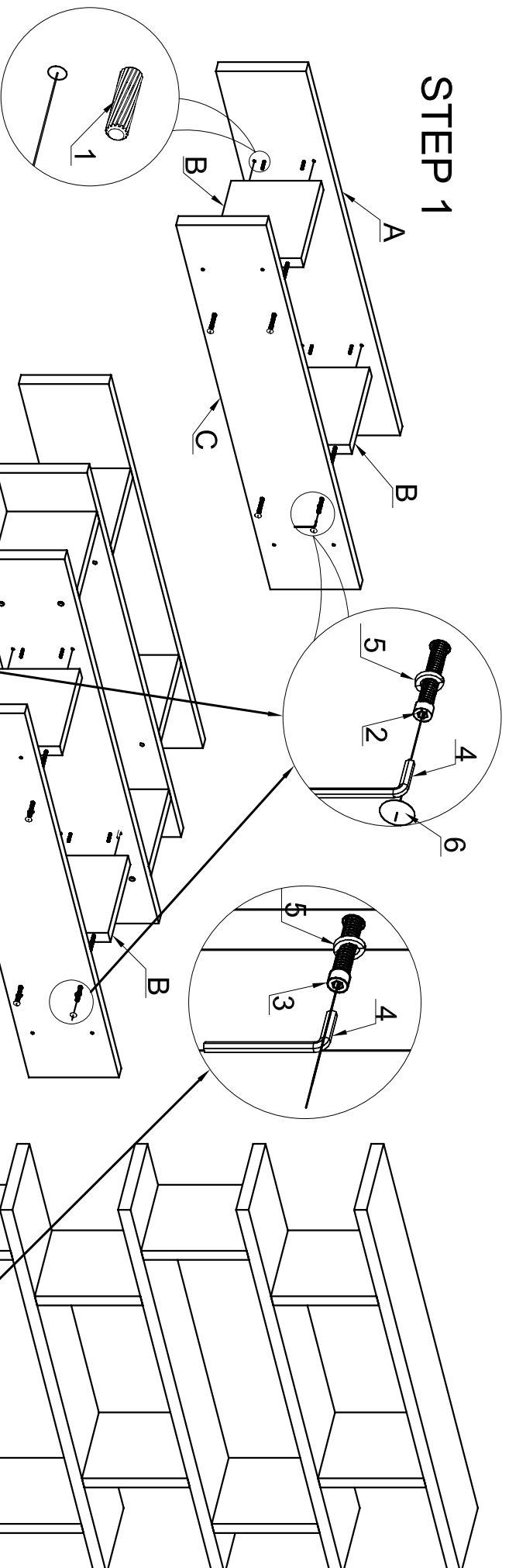
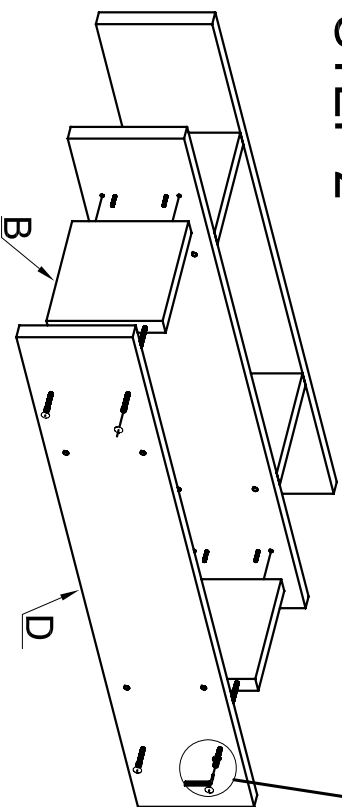


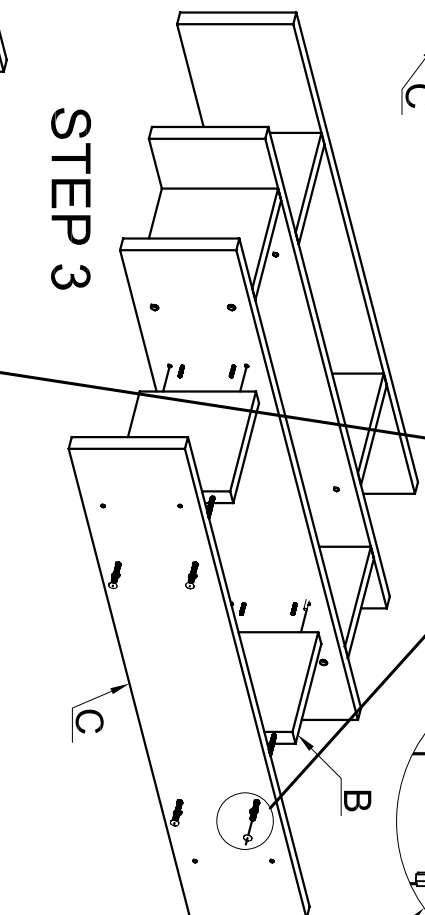
STEP 1



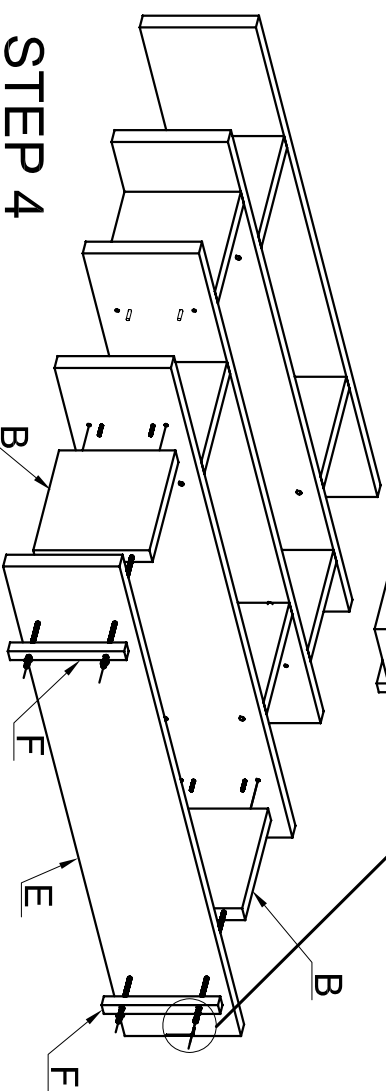
STEP 2



STEP 3



STEP 4



ER-1073-03	A		1600x290x40	1PC	B		340x290x40	8PCS	C		1600x290x40	2PCS	D		1600x290x40	1PC	E		1600x290x40	1PC	F		290x40x30	2PCS	1		6x30	32PCS	2		M8x390	12PCS	3		M8x420	4PCS	4		6MM	1PC	5		8MM	16PCS	6		21*0.4	12PCS
-------------------	---	--	-------------	-----	---	--	------------	------	---	--	-------------	------	---	--	-------------	-----	---	--	-------------	-----	---	--	-----------	------	---	--	------	-------	---	--	--------	-------	---	--	--------	------	---	--	-----	-----	---	--	-----	-------	---	--	--------	-------