

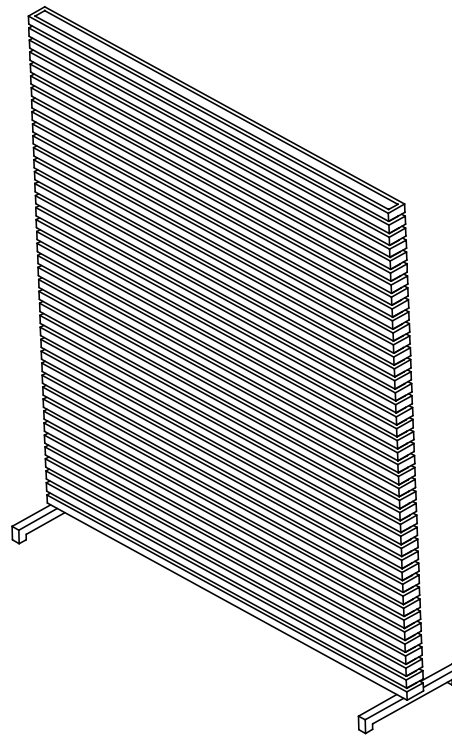
# MOE'S

home collection

## **ASSEMBLY INSTRUCTIONS.**

DALLIN SCREEN BLACK

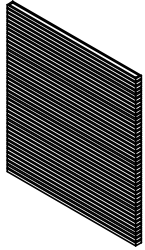
CV-1012-20



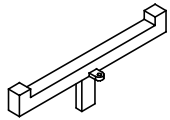
THANK YOU FOR YOUR PURCHASE !

## PARTS AND HARDWARE.

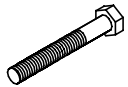
1. PARTITION PANEL X1



2. LEG X2



A. BOLT X2



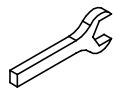
B. SPRING WASHER X2



C. FLAT WASHER X2



D. WRENCH 17

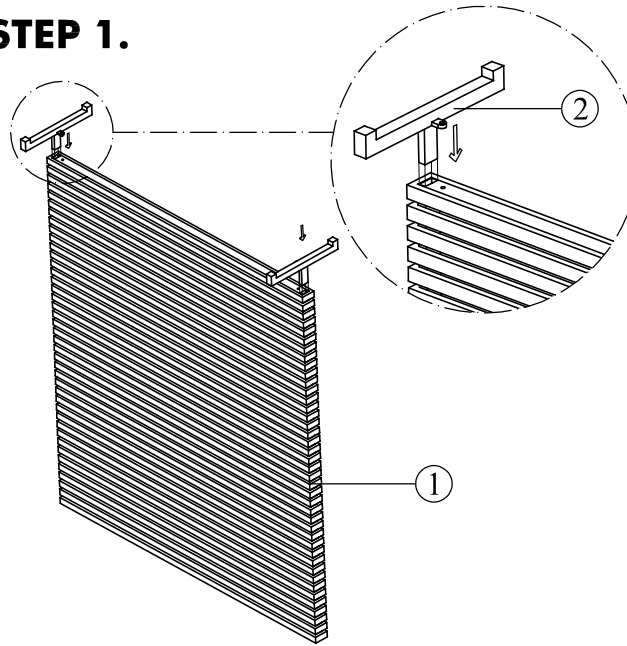


## NOTES.

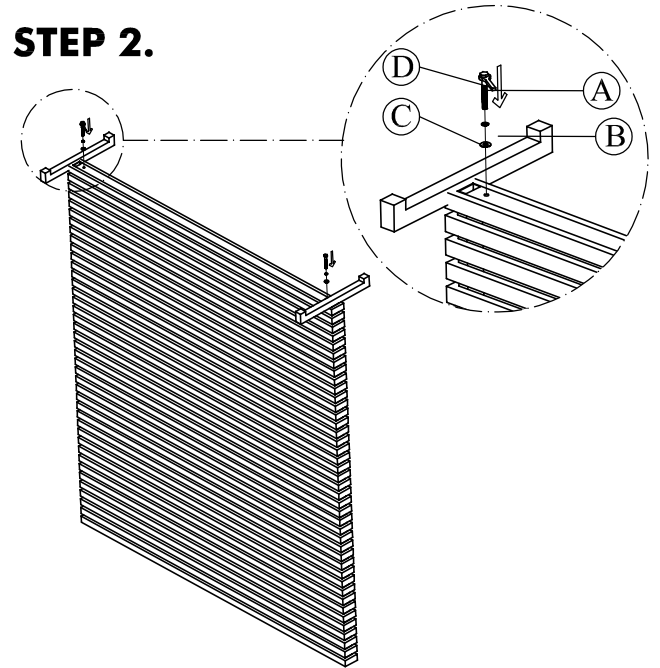
Thank you for purchasing this quality product! Be sure to check all packing material carefully for small part that may have come loose inside the carton during shipping.

**CAUTION:** The item is heavy, assembly should be performed by two people.

## STEP 1.



## STEP 2.



## STEP 3.

