

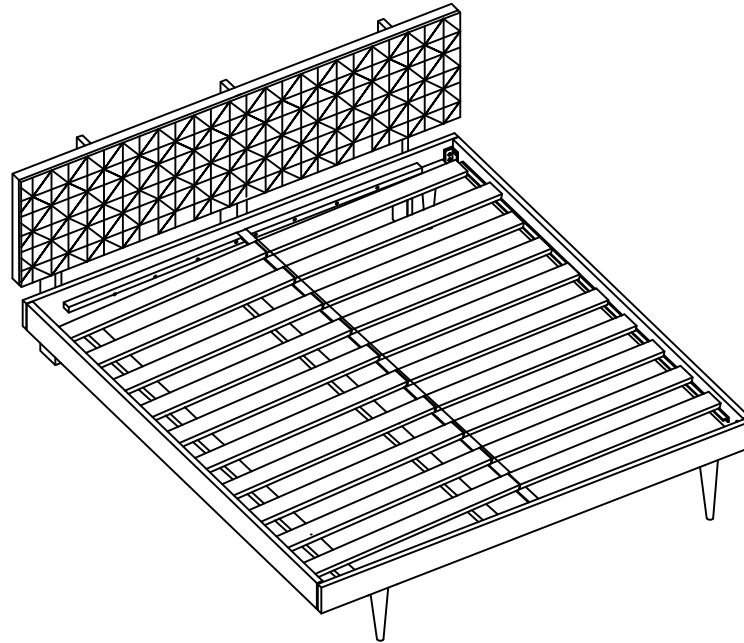
# MOE'S

home collection

## ASSEMBLY INSTRUCTIONS.

PABLO KING BED BROWN

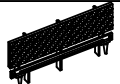





**BZ-1133-03-0**










THANK YOU FOR YOUR PURCHASE!

## PARTS & HARDWARE.

### PART LIST

NO.	DESCRIPTION	IMAGE	Qty
A.	BED HEAD		1
B.	FOOT RAIL		1
C.	MIDDLE RAIL		1
D.	SIDE RAIL		2
E.	MIDDLE LEG		2
F.	MATT. SLATE		4

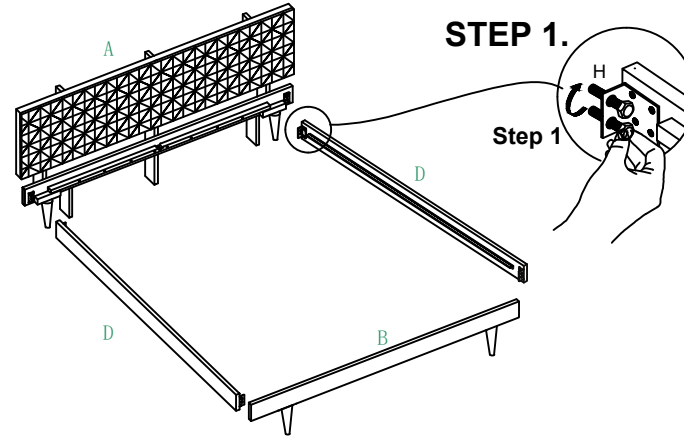
### HARDWARE LIST

H.	Hexa Bolt 8x25mm		8
I.	Spanner 16-17		1
J.	Spanner 12-13		1
K.	Allen Bolt 8x16mm		4
L.	Nut Bolt 6x75mm		2
M.	Washer 8x25mm		4
N.	Allen Key 5mm		1

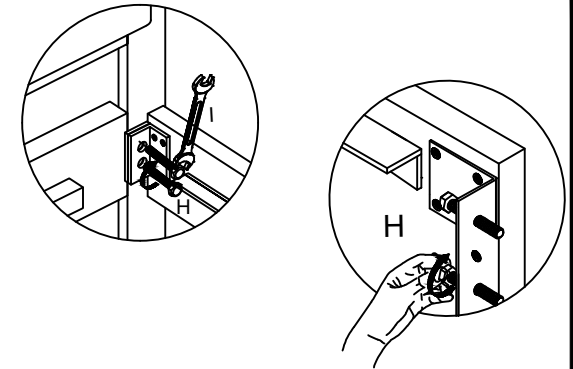
### NOTES.

Thank you for purchasing this quality product!  
Be sure to check all packing material carefully  
for small part that May have come loose  
inside the carton during shipping.

**CAUTION:** The Item is heavy, assembly  
should be performed by two people.

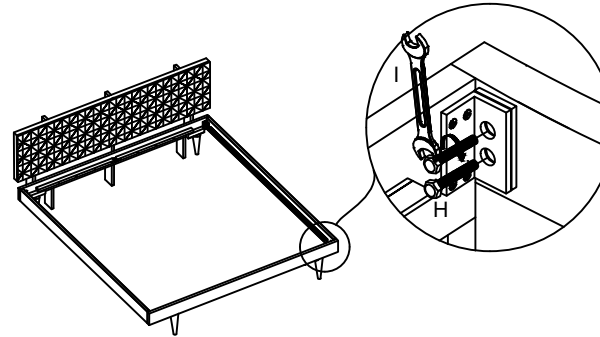


### STEP 2.

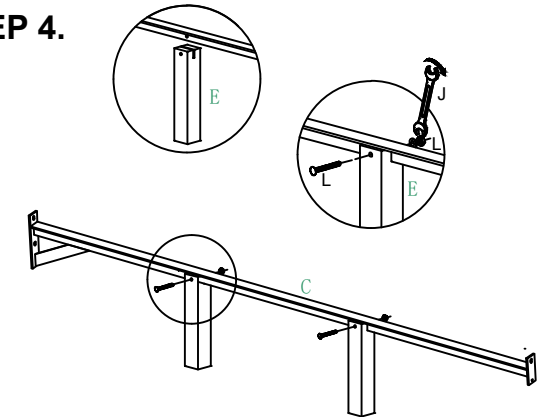


### STEP 3.

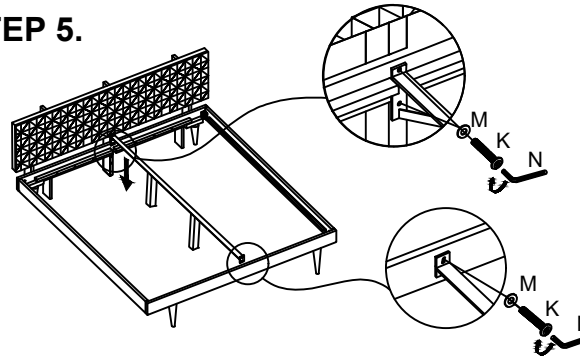
### Step 4



### STEP 4.



### STEP 5.



### STEP 6.

