

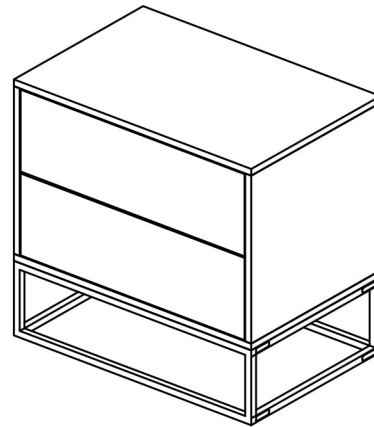
MOE'S

home collection

ASSEMBLY INSTRUCTIONS.

ATELIER NIGHTSTAND NATURAL

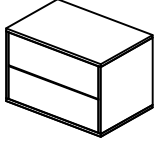

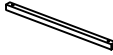
BZ-1112-24



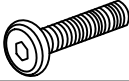



THANK YOU FOR YOUR PURCHASE!

PARTS & HARDWARE.

PART LIST

NO.	DESCRIPTION	IMAGE	Qty
A.	NIGHTSTAND		1
B.	LEG		2
C.	CENTER SUPPORT		1

HARDWARE LIST

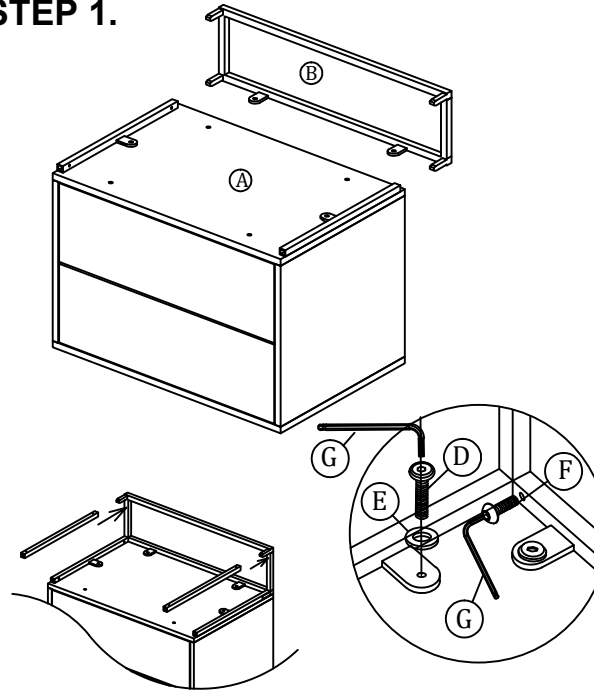
D.	Allen Bolt 6 x 16 mm		2
E.	Flat Washer 8mm		2
F.	Allen Bolt 6 x 10 mm		8
G.	Allen Key 4mm		1

NOTES.

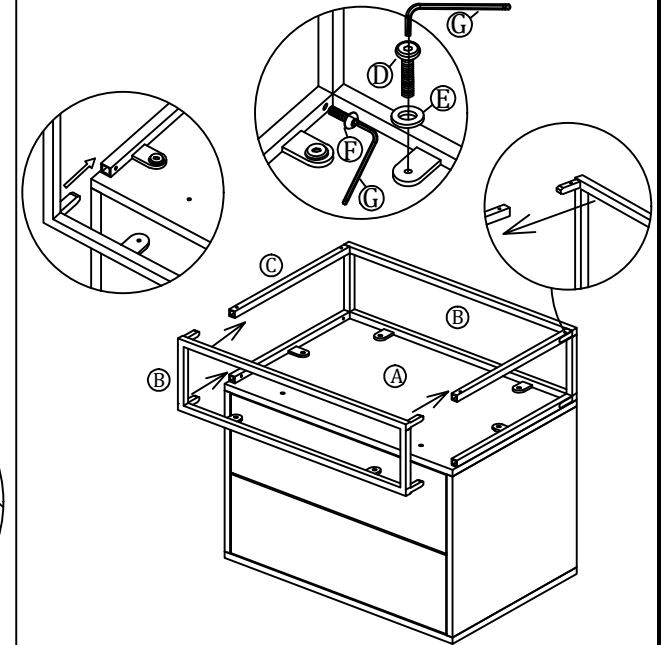
Thank you for purchasing this quality product!
Be sure to check all packing material carefully
for small part that May have come loose inside
the carton during shipping.

CAUTION: The Item is heavy, assembly
should be performed by two people.

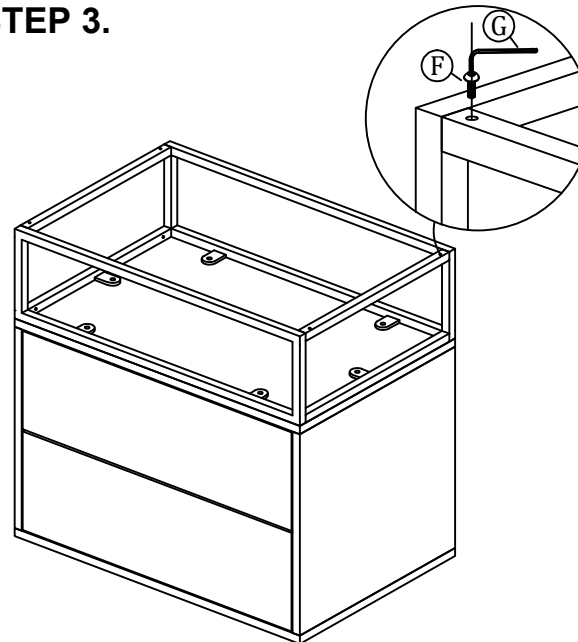
STEP 1.



STEP 2.



STEP 3.



STEP 4.

