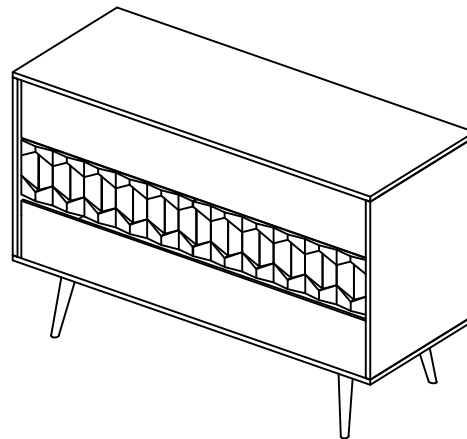


MOE'S
home collection

ASSEMBLY INSTRUCTIONS.

O2 CHEST BROWN

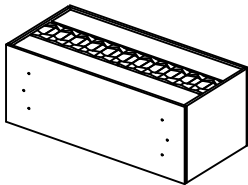
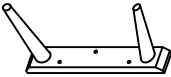
BZ-1023-24



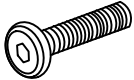



THANK YOU FOR YOUR PURCHASE!

PARTS & HARDWARE.

PART LIST

| NO. | DESCRIPTION | IMAGE | Qty |
|-----|-------------|---|-----|
| A. | SIDEBOARD |  | 1 |
| B. | LEG |  | 2 |

HARDWARE LIST

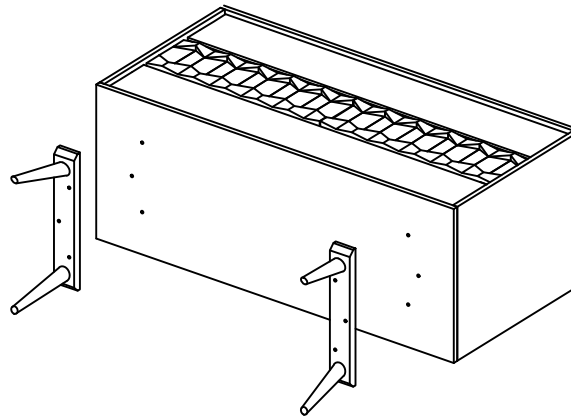
| | | | |
|----|-------------------------|--|---|
| C. | Allen Bolt 6 x 40mm |  | 6 |
| D. | Flat Washer 8 x 25mm |  | 6 |
| E. | Spring Washer Ø8mm |  | 6 |
| F. | Allen Key 4mm |  | 1 |

NOTES.

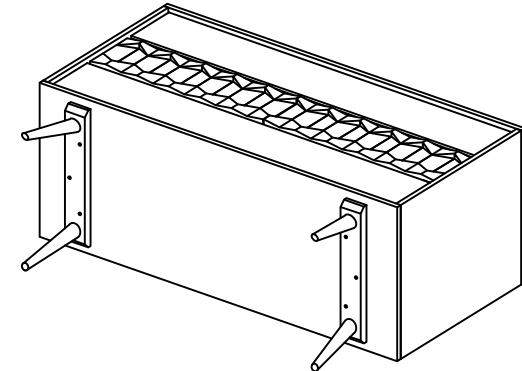
Thank you for purchasing this quality product!
Be sure to check all packing material carefully for small part that May have come loose inside the carton during shipping.

CAUTION: The Item is heavy, assembly should be performed by two people.

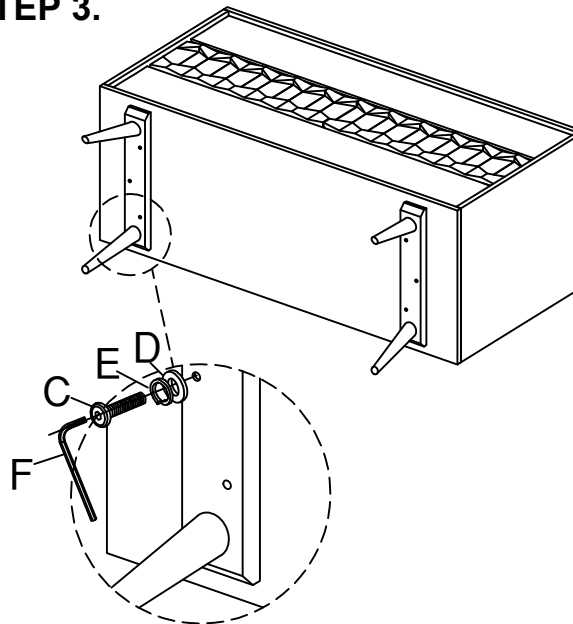
STEP 1.



STEP 2.



STEP 3.



STEP 4.

