

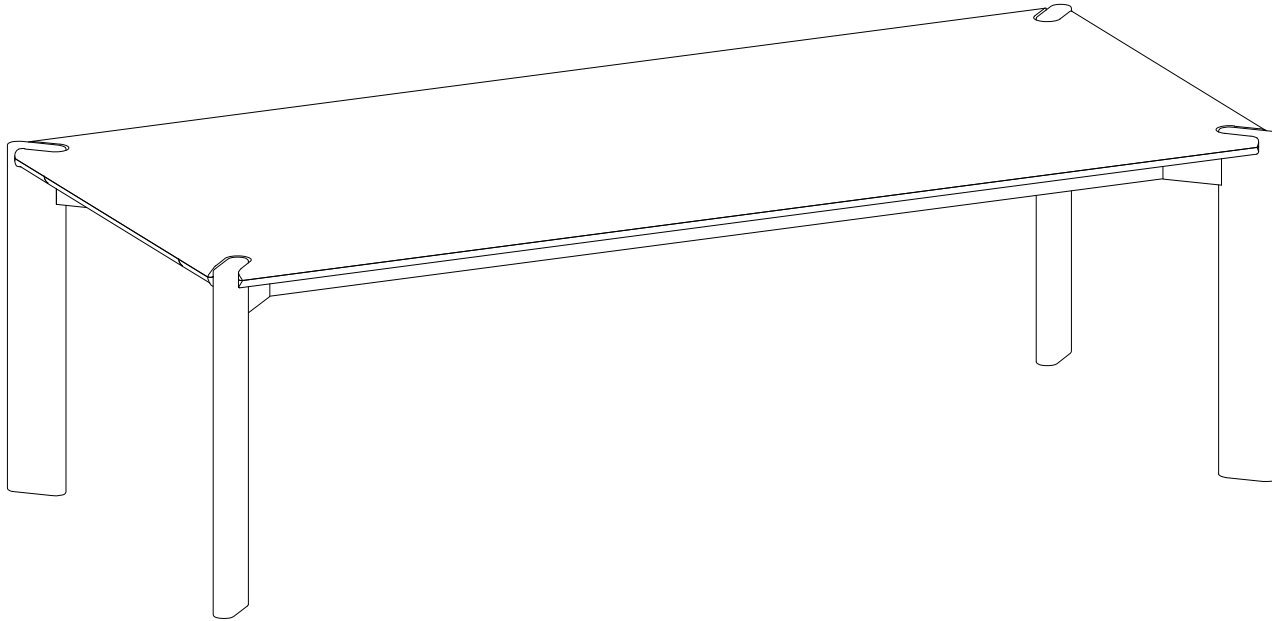
MOE'S

home collection

ASSEMBLY INSTRUCTIONS.

DAIFUKU DINING TABLE LARGE WALNUT STAINED ASH

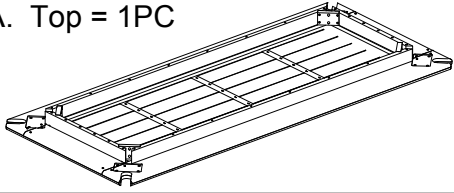
BC-1132-20



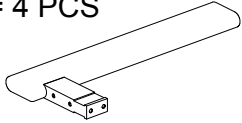
THANK YOU FOR YOUR PURCHASE!

PARTS LIST

A. Top = 1PC



B. Leg = 4 PCS

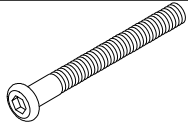


HARDWARE LIST

1. Bolt
M8x25 = 24PCS



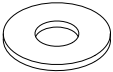
2. Bolt
M8x60 = 8PCS



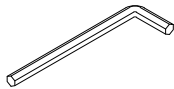
3. Spring Washer
M8.5x11 = 24PCS



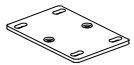
4. Flat Washer
M8.5x18 = 24PCS



5. Allen key
M4 = 1PC



6. Pat = 4PCS



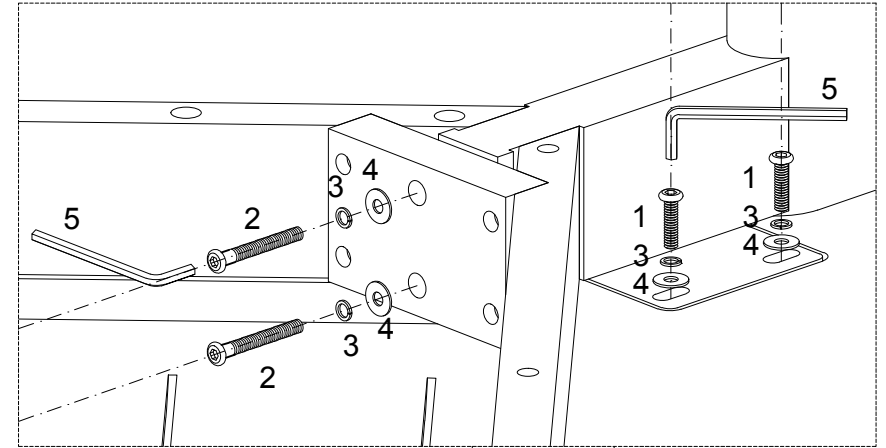
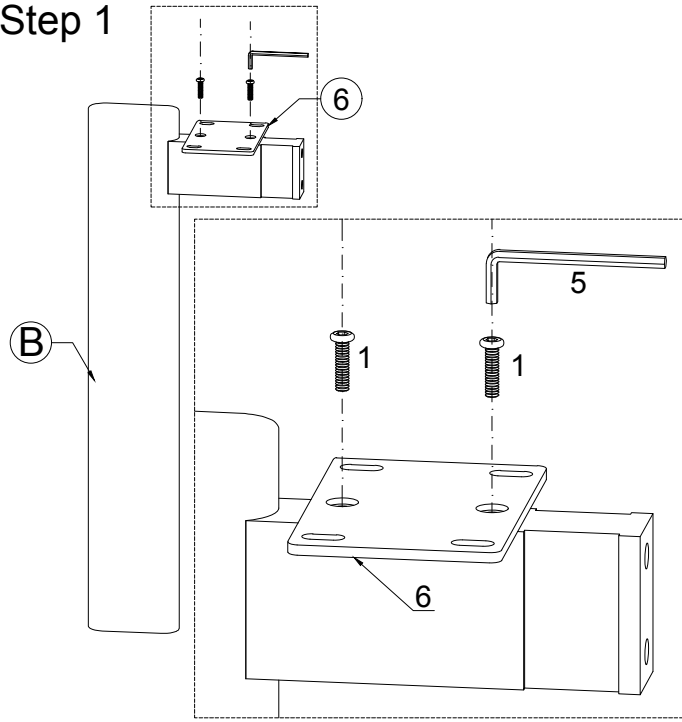
NOTES.

Thank you for purchasing this quality product! Be sure to check all packing material carefully for small part that may have come loose inside the carton during shipping.

CAUTION:

The item is heavy, assembly should be performed by two people.

Step 1



Step 2

