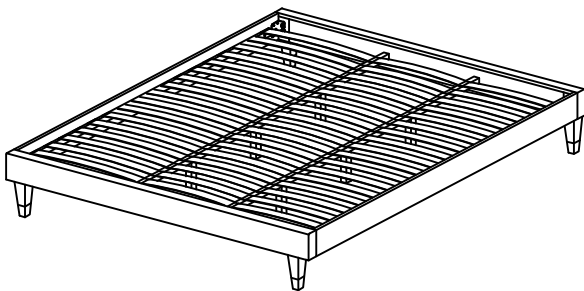


# M□□ - 62□1

Thank you for purchasing the **MODWAY BED!**

Before you start here are some helpful advice

1. We suggest you spend a short time reading through this leaflet and then follow the simple step instructions.
2. Owing to the size and weight of the bed we recommend that it is assembled by two adults on a carpeted or padded area in the room that it is intended for. Approximate assembly time 35 minutes.
3. Please do not use any tools other than those provided or recommended in these instructions.
4. Please do not throw away any of the packaging or the instruction until you have checked all the components and hardware and the furniture is fully assembled. Please ensure that the packaging is disposed of in a safe environmentally friendly way.
5. Assemble all components loosely until advised to tighten. Depending on use it may be necessary to tighten the components from time to time so please save tools that have been provided.
6. Please keep all fitting out of reach of children.

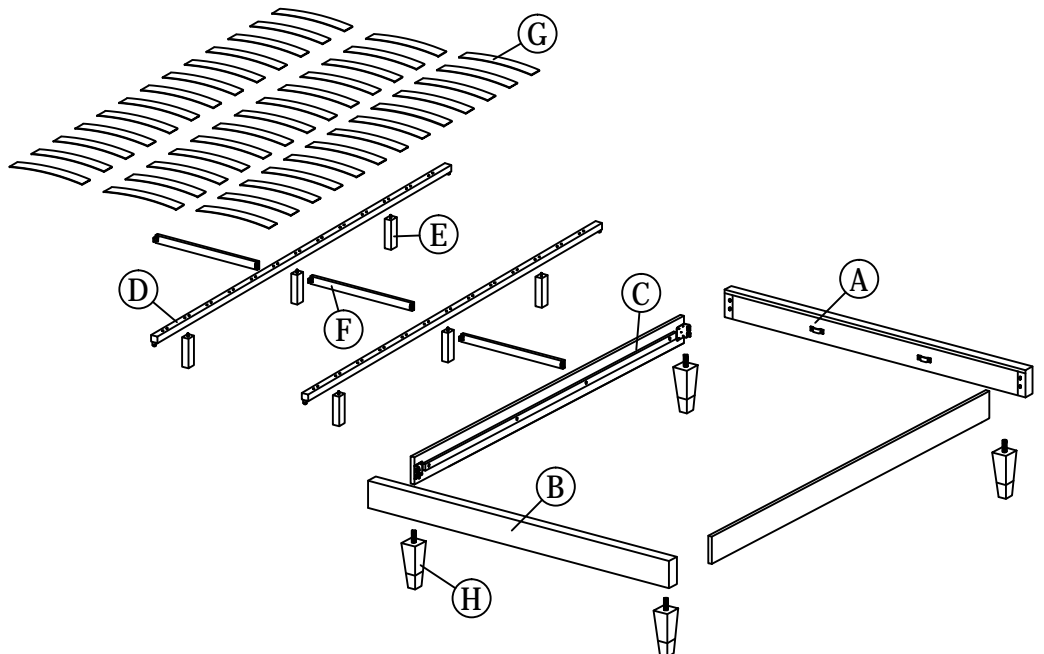


### Hardware

1		WOOD SCREW M4 x 20mm	4 PCS
2		WOOD SCREW M3.5 x 16mm	12 PCS
3		PVC BLACK WASHER	4 PCS
4		BED SLAT SIDE FITTER	26 PCS
5		BED SLAT CENTER FITTER	26 PCS
6		M5 ALLEN KEY (BALL SHAPE)	1 PC

### Component

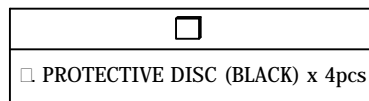
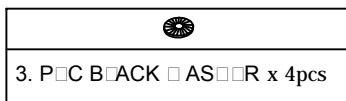
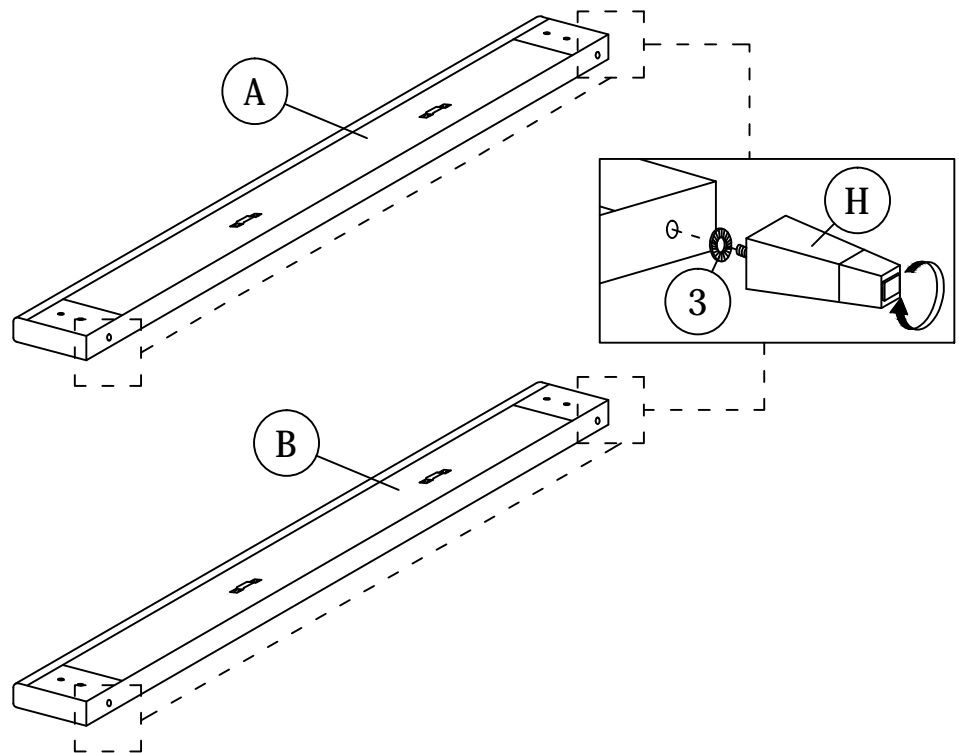
A.	HEADBOARD	x 1
B.	FOOTBOARD	x 1
C.	SIDE RAIL (L/R)	x 2
D.	CENTER RAIL	x 2
E.	CENTER RAIL LEG	x 6
F.	CENTER RAIL SUPPORT	x 3
G.	BED SLAT	x 39
H.	BED LEG	x 4



M□□ - 62□1

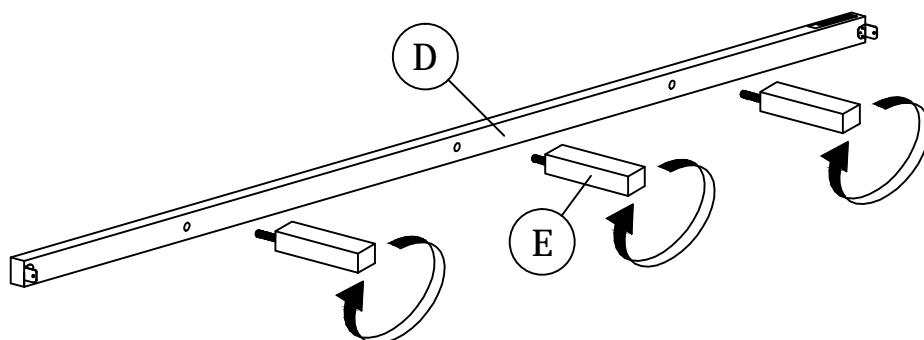
S□□P 1

1.1 Insert and secure the Bed leg (H) to the Headboard (A) and Footboard (B) using hardware parts PVC Black Washer (3).



S□□P 2

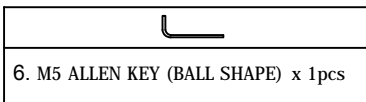
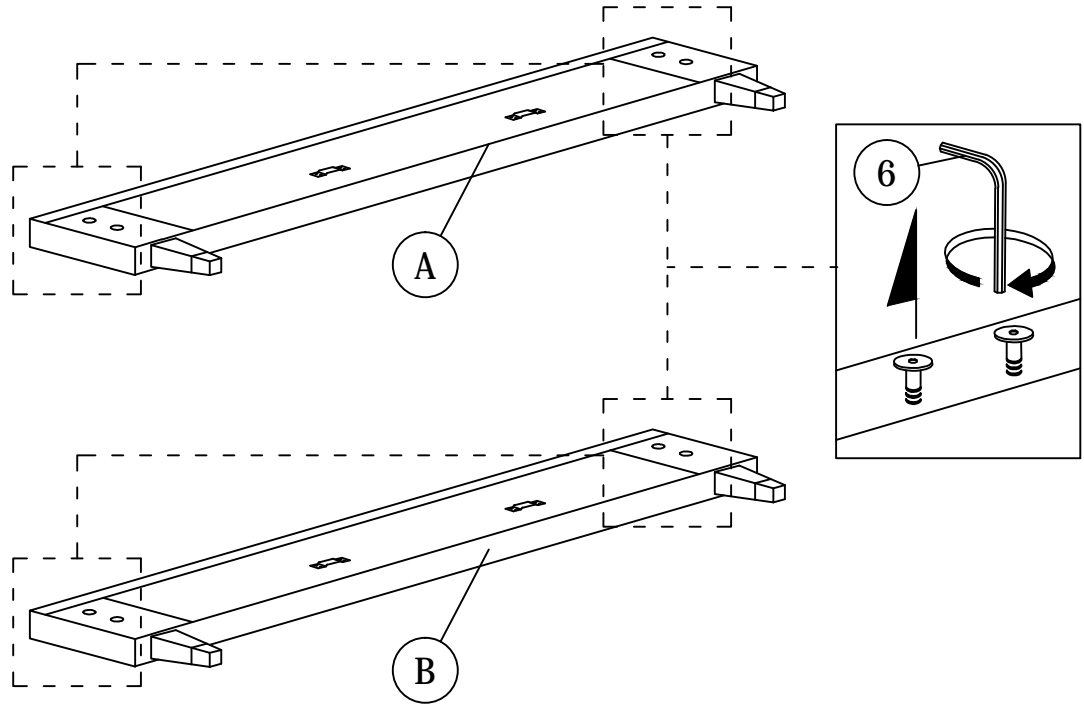
2.1 Fasten Center Rail Leg (E) to Center Rail (D) attach by screwing the protruding nut into the corresponding holes.



M□□ - 62□1

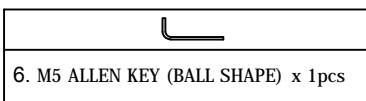
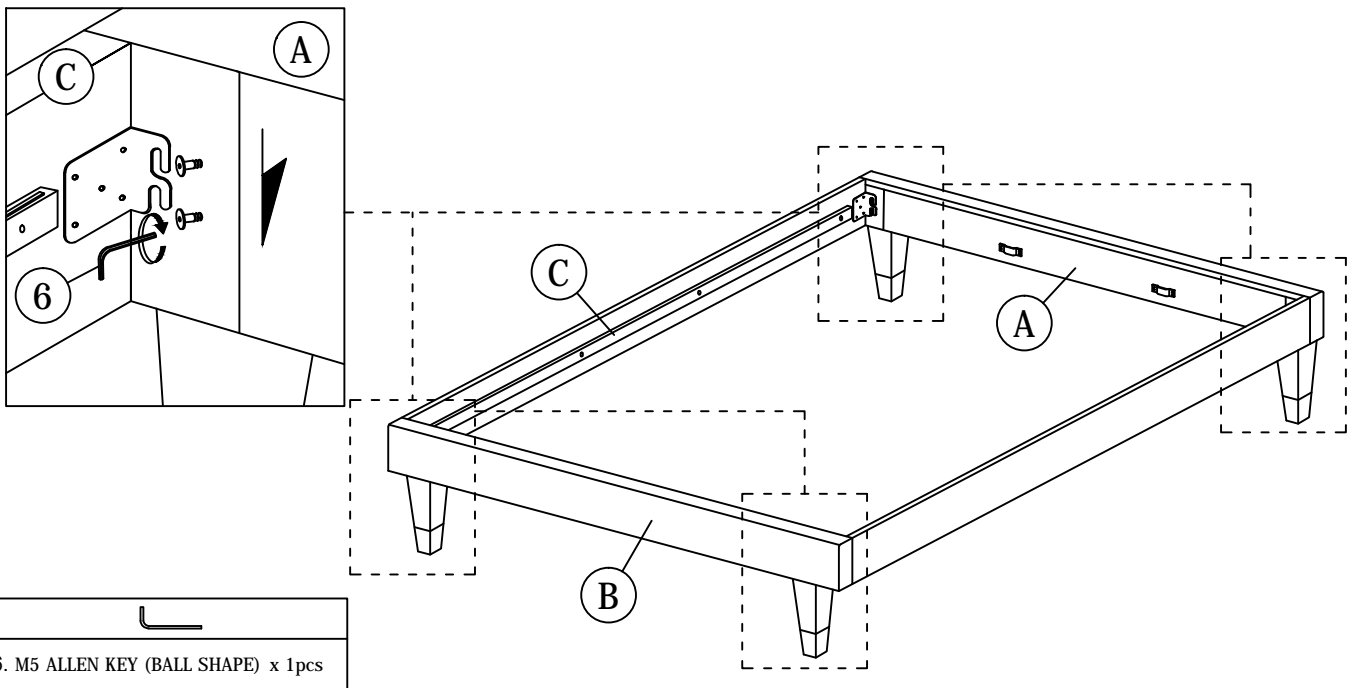
S□□P 3

3.1 Loosen the pre-inserted bolt on the Headboard (A) & Footboard (B) using hardware part Allen Key (6).



S□□P 4

4.1 Attach the Side Rails (C) to the Headboard (A) & Footboard (B) using hardware part Allen Key (6).

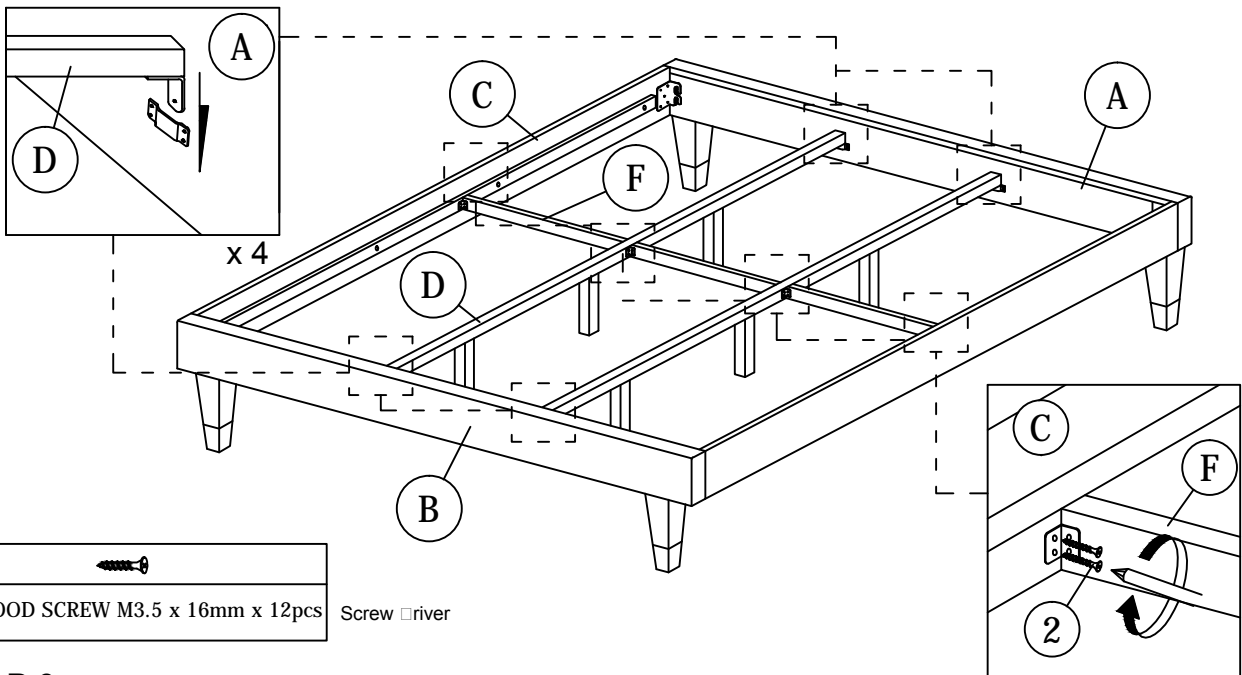


M□□ - 62□1

S□□P 5

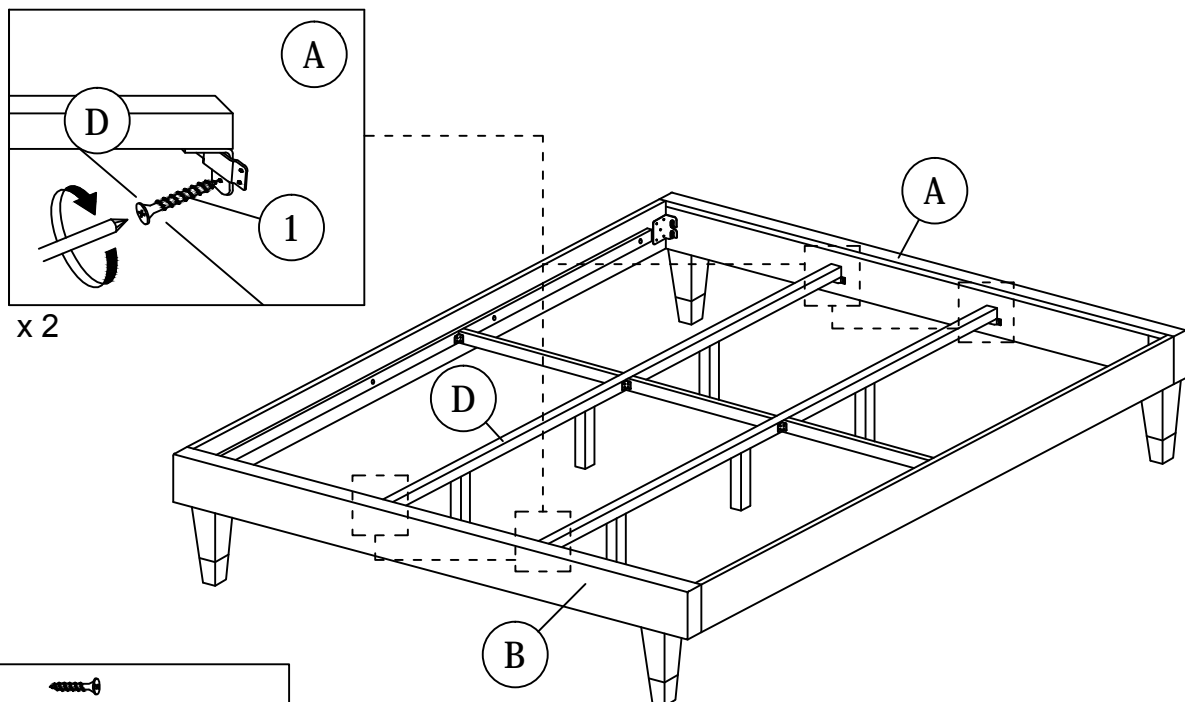
5.1 Locate Center Rail (D) into the corresponding brackets inside of Headboard (A) and Footboard (B).

5.2 Insert and secure the Center Rail Support (F) to the Center Rail (D) & Side Rail (C) using hardware parts Wood Screw (2).



S□□P 6

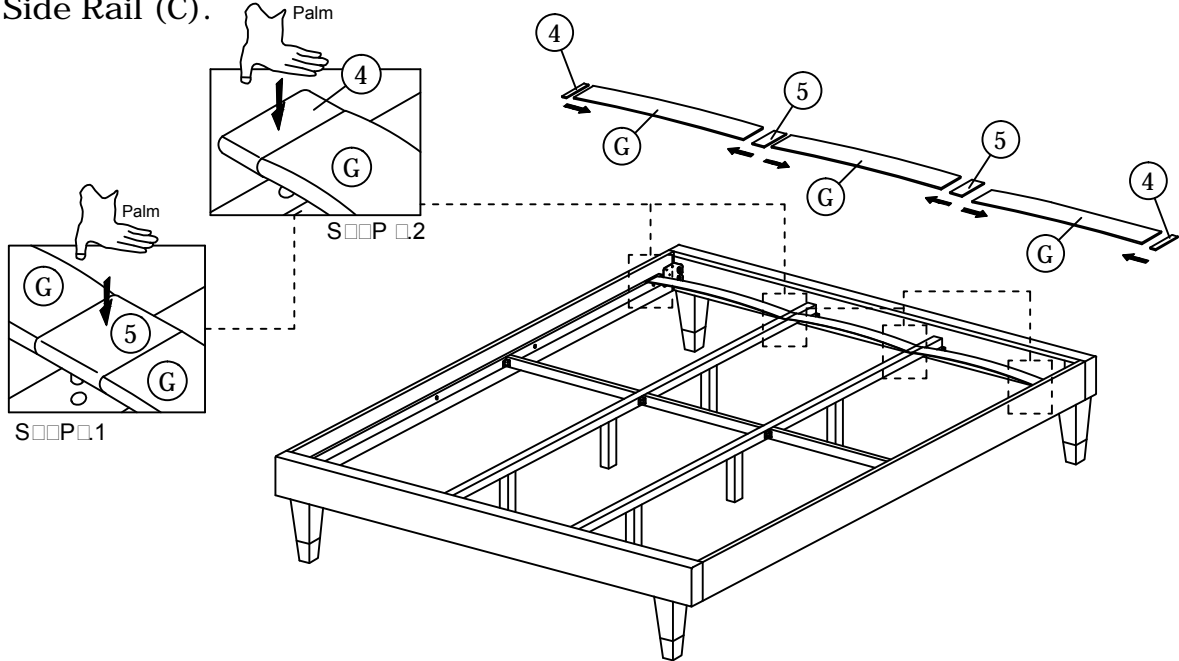
6.1 Locate Center Rail (D) into the corresponding brackets inside of Headboard (A) and Footboard (B) using hardware parts Wood Screw (1).





M□□ - 62□1

S□□P □

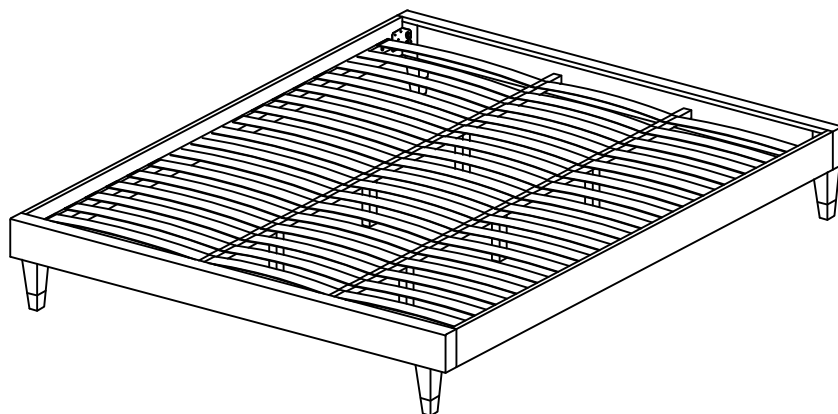
7.1 Insert the Slats (G) into the end Slat cap (4) & (5) and fix it to the corresponding holes on the Side Rail (C).



	
4. B□□ S□A□ S□□□ □□□□R x 26pcs	5. B□□ S□A□ C□□□□R □□□□R x 26pcs

S□□P 8

8.1 Carefully position the assembled bed to the desired location by four adults.



Assembly is complete. The bed is ready to use now!

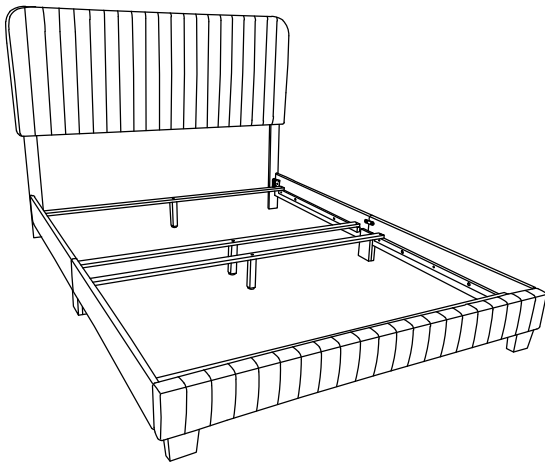
NOTE: Hardware may loosen over time. Periodically check that all connections are tight.

MOD-6330









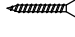


Thank you for purchasing the **MODWAY BED !**

Before you start there is some helpful advice

1. We suggest you spend a short time reading through this leaflet and then follow the simple step by step instructions.
2. Owing to the size and weight of the bed we recommend that it is assembled by two adults on a carpeted or padded area in the room that it is intended for. Approx assembly time 20 minutes.
3. Please do not use any tools other than those provided or recommended in these instructions.
4. Please do not throw away any of the packaging or the instruction until you have checked all the components and hardware and the furniture is fully assembled.
5. Assemble all components loosely until advised to tighten. Depending on use it may be necessary to tighten the components from time to time so please save the tools that have been provided.
6. Please keep all small pieces out of reach of children.

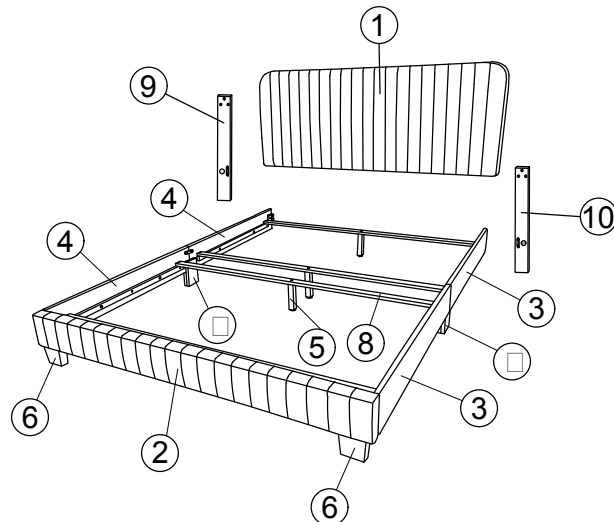


**Hardware**

A		Allen Key M4	x1
B		Allen Key M5	x1
C		Side Rail Connect	x2
		CBC Bolt M6 x 15mm	x4
		CBC Bolt M6 x 35mm	x8
		CBC Bolt M6 x 40mm	x6
		Spring Washer	x14
		Flat Washer	x10
I		CBS Screw M4 x 32mm	x8
		CCA Bolt M6 x 50mm	x4
K		CBB M8 x 16mm	x8

**COMPONENT**

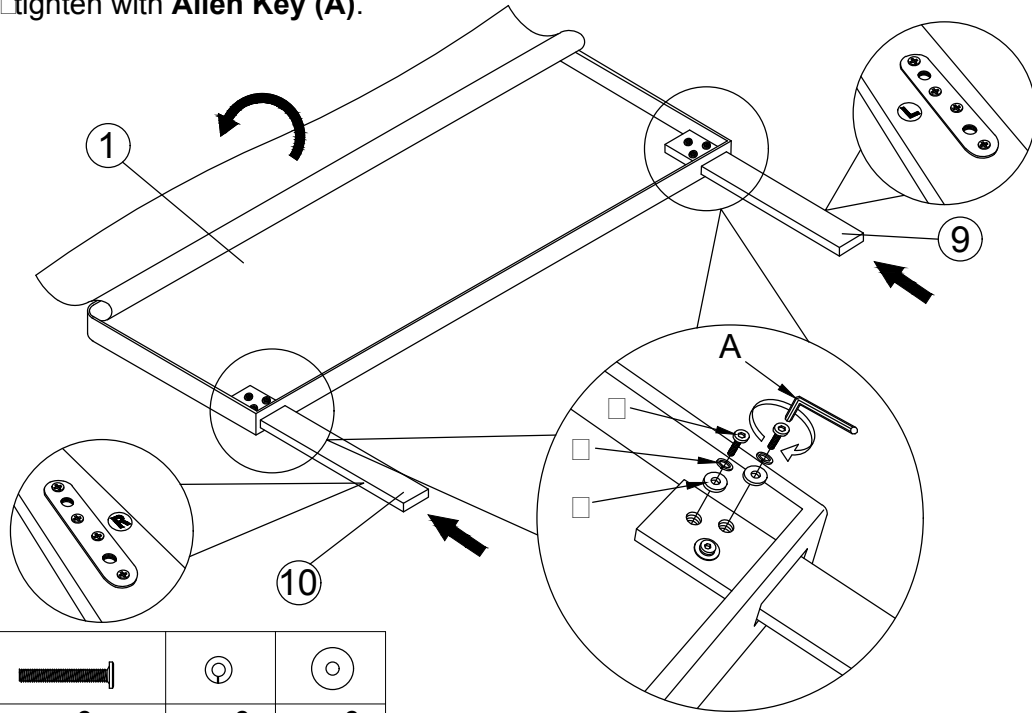
- 1- Headboard
- 2- Footboard
- 3- Side Rail Right
- 4- Side Rail Left
- 5- Support Leg
- 6- Footboard Leg
- 7- Side Rail Leg
- 8- Slats
- 9- Headboard Left Leg
- 10- Headboard Right Leg







**STEP 1 :**

1- Unhook the cover at the back-facing of the **Headboard(1)** and unhook the hardware on headboard parts as shown.

2- Secure the **Right Leg (10)** on **Left Leg (9)** using **JCBC Bolt 40mm (F)** on **Spring Washer (G)** on **Flat Washer (H)** tighten with **Allen Key (A)**.

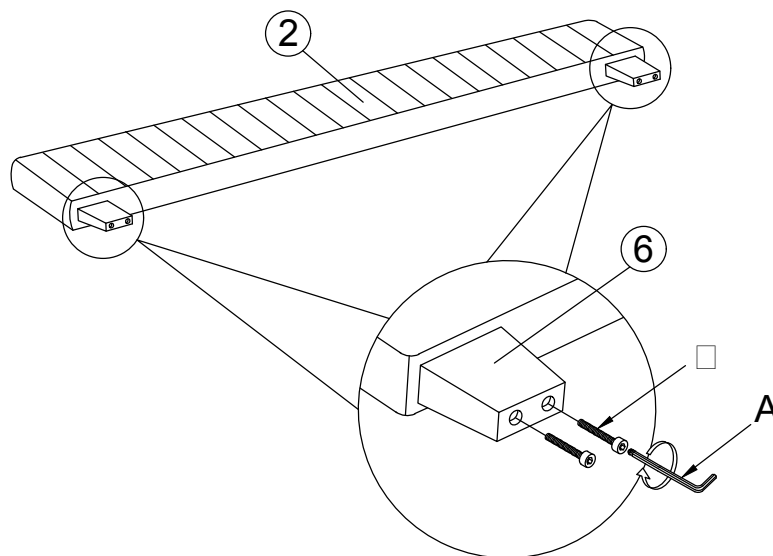


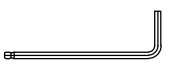

			
Ax1	x6	x6	x6

**Hardware & Tool required**

**STEP 2 :**

Attach the **Footboard Leg (6)** on **Footboard (2)** use **JCCA Bolt 50mm (J)** and **Allen Key (A)** to fix.

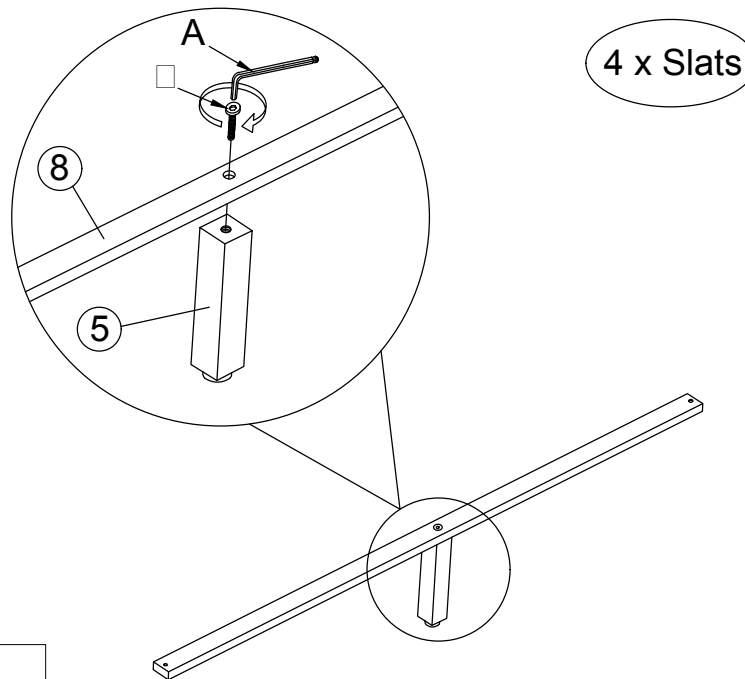


	
Ax1	x4

**Hardware & Tool required**

**STEP 3 :**

Attach the **Slat (8)** to **Support Leg (5)**. Use **JCBC Bolt 35mm (E)** and **Allen Key (A)** to fix.

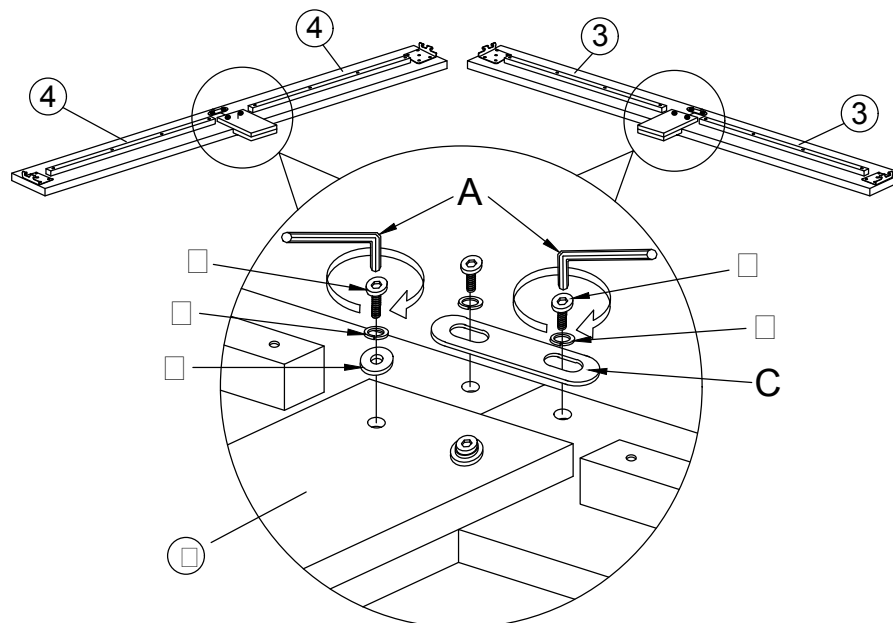


Ax1	□x4

**Hardware & Tool required**

**STEP 4 :**

Attach and tighten the **Side Rail Right (3)** [2cs] and **Side Rail Left (4)** [2cs] to **Side Rail Leg (7)** [2cs].  
 □n the Side Rail use **Side Rail Connect (C)** □**Spring Washer (G)** □**JCBC Bolt 15mm (D)** and **Allen Key (A)** to fix.  
 □n the Side Rail □eg use **JCBC Bolt 35mm (D)** □**Spring Washer (G)** □**Flat Washer (H)** and **Allen Key (A)** to fix.



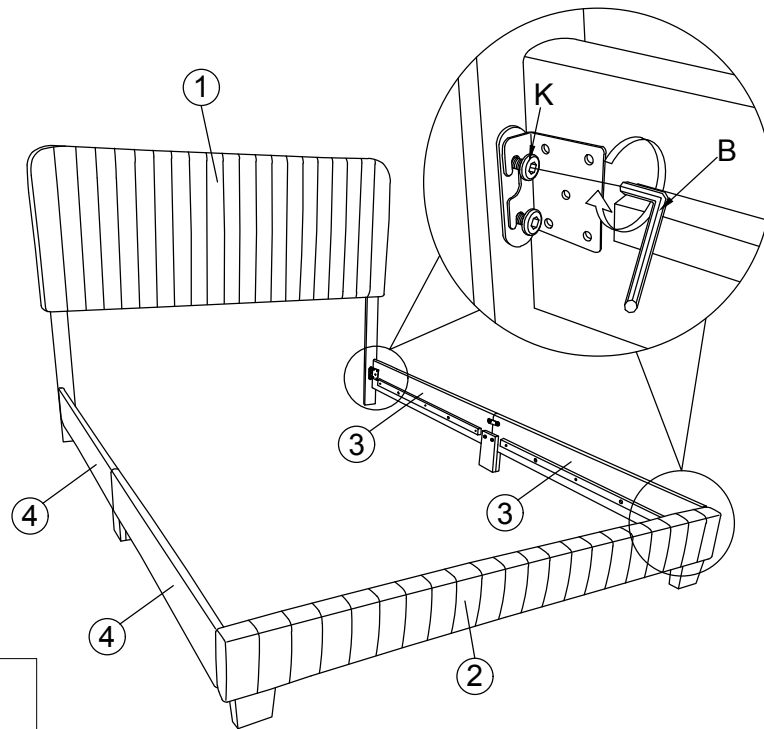
Ax1	Cx2	□x4	□x4	□x8	□x4	□x4

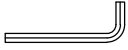
**Hardware & Tool required**



**STEP 5 :**

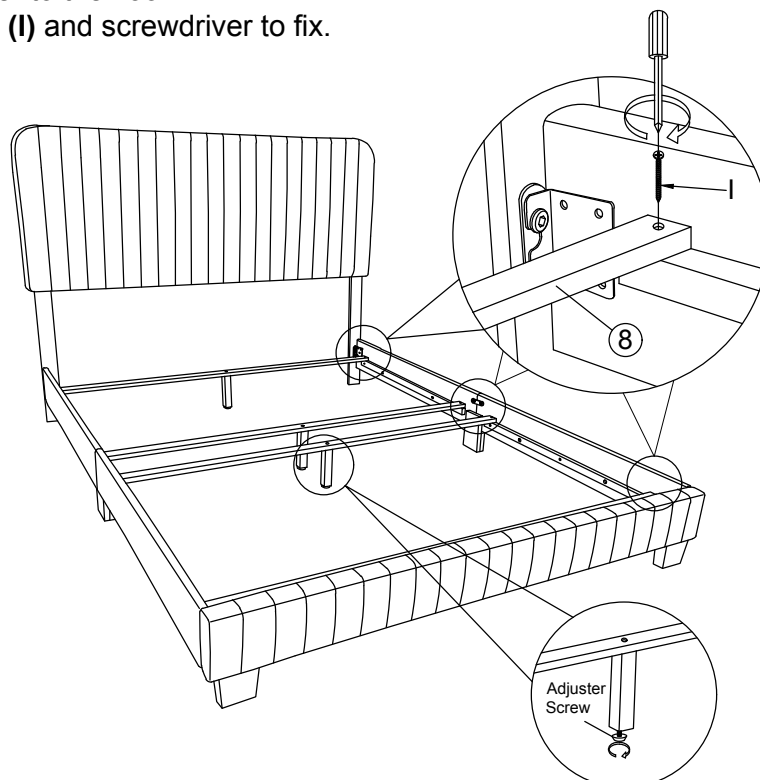
Attach both **Side Rail (3&4)** to the bracket of **Headboard (1)** and **Footboard (2)**.  
Use **JCBB Bolt 16mm (K)** and **Allen Key (B)** to fix.

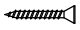


	
Bx1	Kx8

**Hardware & Tool required****STEP 6 :**

Attach and tighten the **Slats (8)** to Side Rail.  
Adjusting the leg adjuster to the floor.  
Use **CBS Screw 32mm (I)** and screwdriver to fix.




Ix8

**Hardware & Tool required**