

MOD-6241

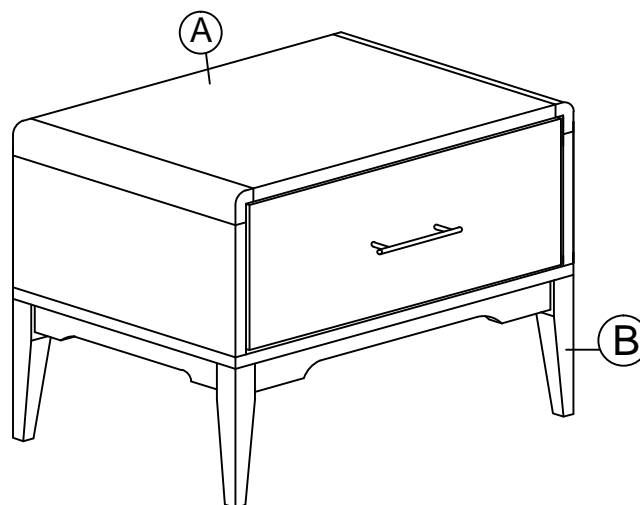
Thank you for purchasing the **MODWAY NIGHT STAND !**

Before you start, here are some helpful advice:

1. We suggest you spend a short time reading through this leaflet and then follow the simple step instructions.
2. Owing to the size and weight of the night stand, we recommend that it is assembled by two adults, on a carpeted or padded area, in the room that it is intended for. Approx assembly time: 20 minutes.
3. Please do not use any tools other than those provided or recommended in these instructions.
4. Please do not throw away any of the packaging or the instruction until you have checked all the components and hardware and the furniture is fully assembled. Please ensure that the packaging is disposed of in a safe environmentally friendly way.
5. Assemble all components loosely until advised to tighten. Depending on use, it may be necessary to tighten the components from time to time, so please save tools that have been provided.
6. Please keep all fitting out of reach of children.

Components:

| | | |
|---|-------------|-------|
| A | NIGHT STAND | 1 PC |
| B | LEG | 4 PCS |



MOD-6241

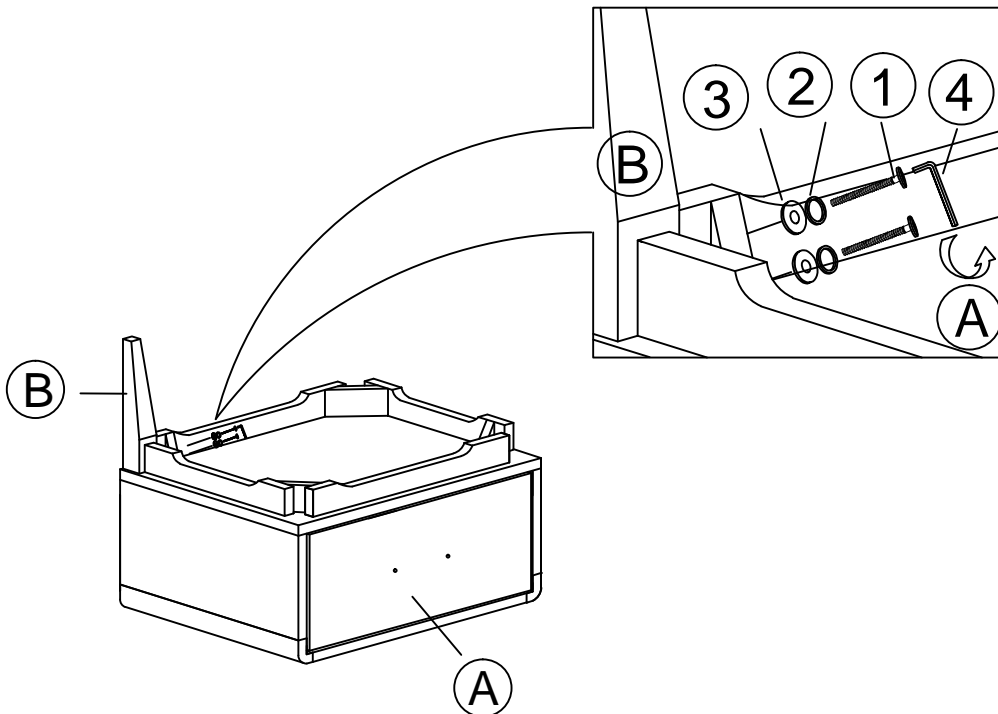
HARDWARE

| | | | |
|---|--|---------------------|-------|
| 1 | | JCBC BOLT M6 x 60mm | 8 PCS |
| 2 | | M6 SPRING WASHER | 8 PCS |
| 3 | | M6 FLAT WASHER | 8 PCS |
| 4 | | M4 ALLEN KEY | 1 PC |

STEP 1

1.1 Secure each leg of night stand by using 2x JCBC Bolt [1] and 2x M6 Spring Washer [2] and 2x M6 Flat Washer [3]. Tighten with supplied Allen Key [4]. Repeat the same procedure to secure the other side.

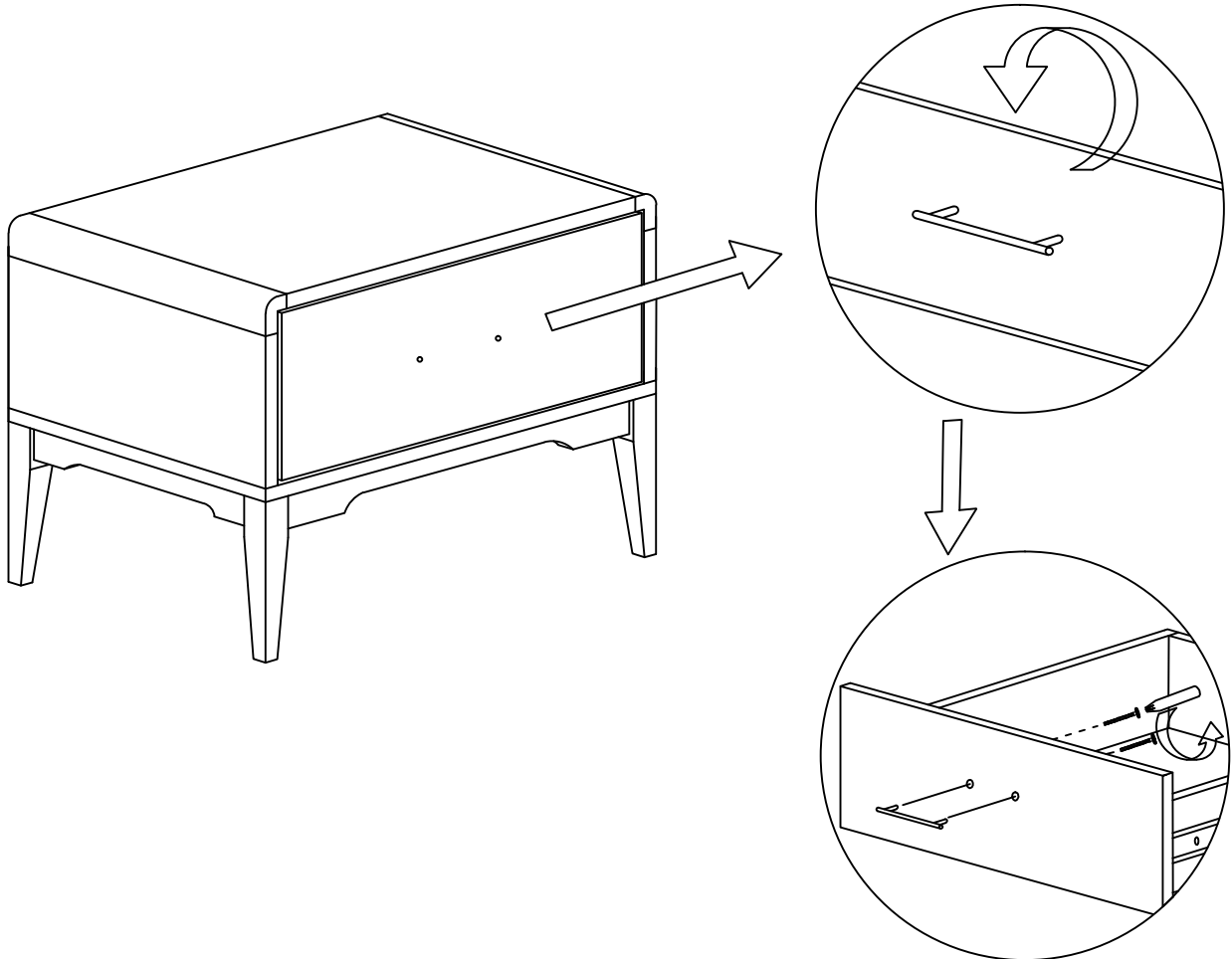
Note: Hardware may loosen over time. Periodically check that all connections are tight.



MOD-6241

STEP 2

2.1 Fix the handle to drawer front panel.



STEP 3

3.1 Assembly completed.

