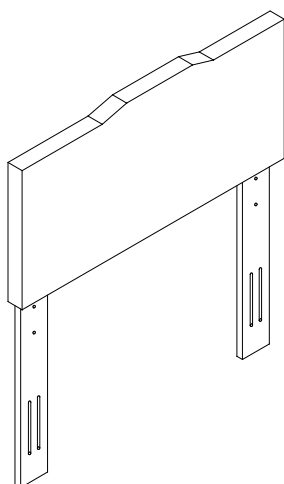


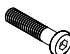

Thank you for purchasing the **MODWAY HEADBOARD!**

Before you start, here are some helpful advice:

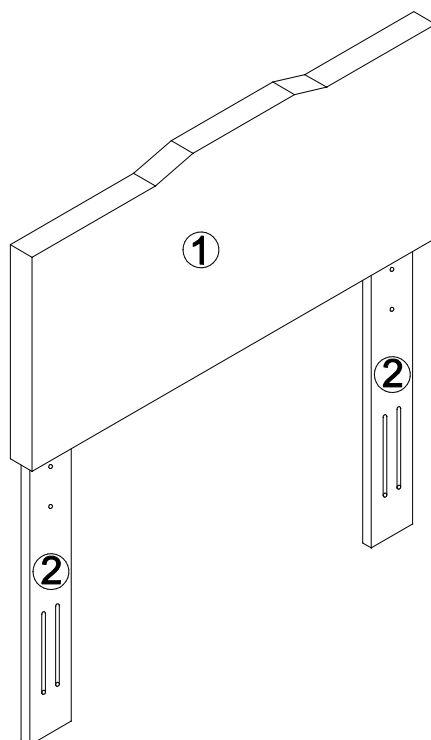
1. We suggest you spend a short time reading through this leaflet and then follow the simple step-by-step instructions.
2. Owing to the size and weight of the bed, we recommend that it is assembled by two adults, on a carpeted or padded area, in the room that it is intended for. Approximate assembly time: 30 minutes.
3. Please do not use any tools other than those provided or recommended in these instructions.
4. Please do not throw away any of the packaging or the instruction until you have checked all the components and hardware and the furniture is fully assembled. Please ensure that the packaging is disposed of in a safe and environmentally friendly way.
5. Assemble all components loosely until advised to tighten. Depending on use, it may be necessary to tighten the components from time to time, so please save the tools that have been provided.
6. Please keep all fitting out of reach of children.



Hardware:

- | | | | |
|----|--|--------------|----|
| A. |  | Bolt M8x45mm | x4 |
| B. |  | Allen Wrench | x1 |

Components:

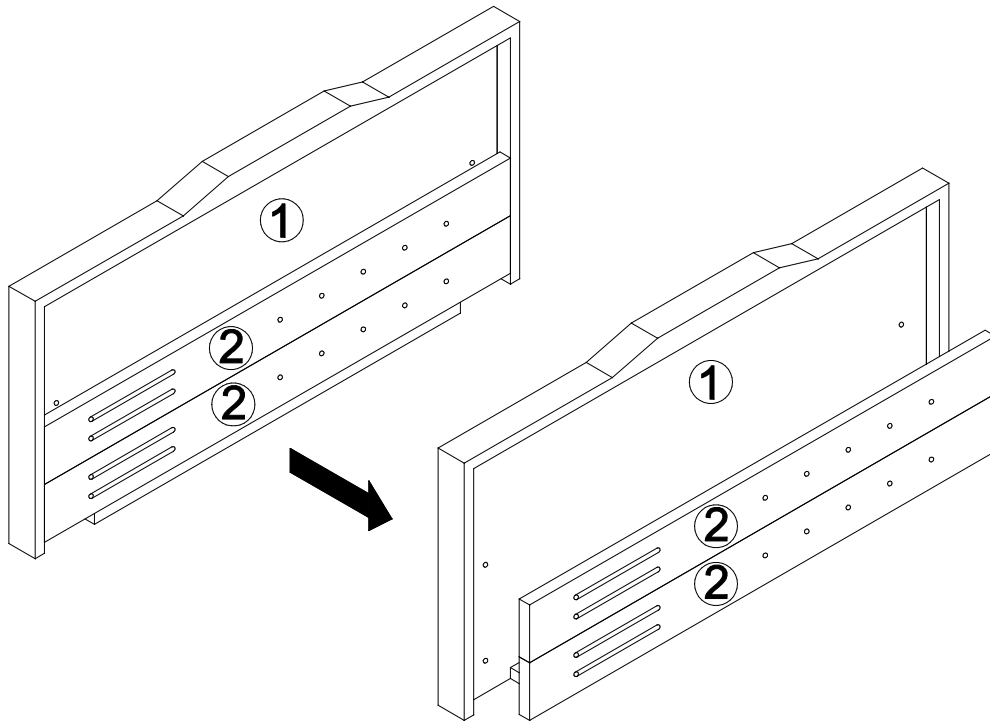


1. Headboard **x1**

2. Low post **x2**

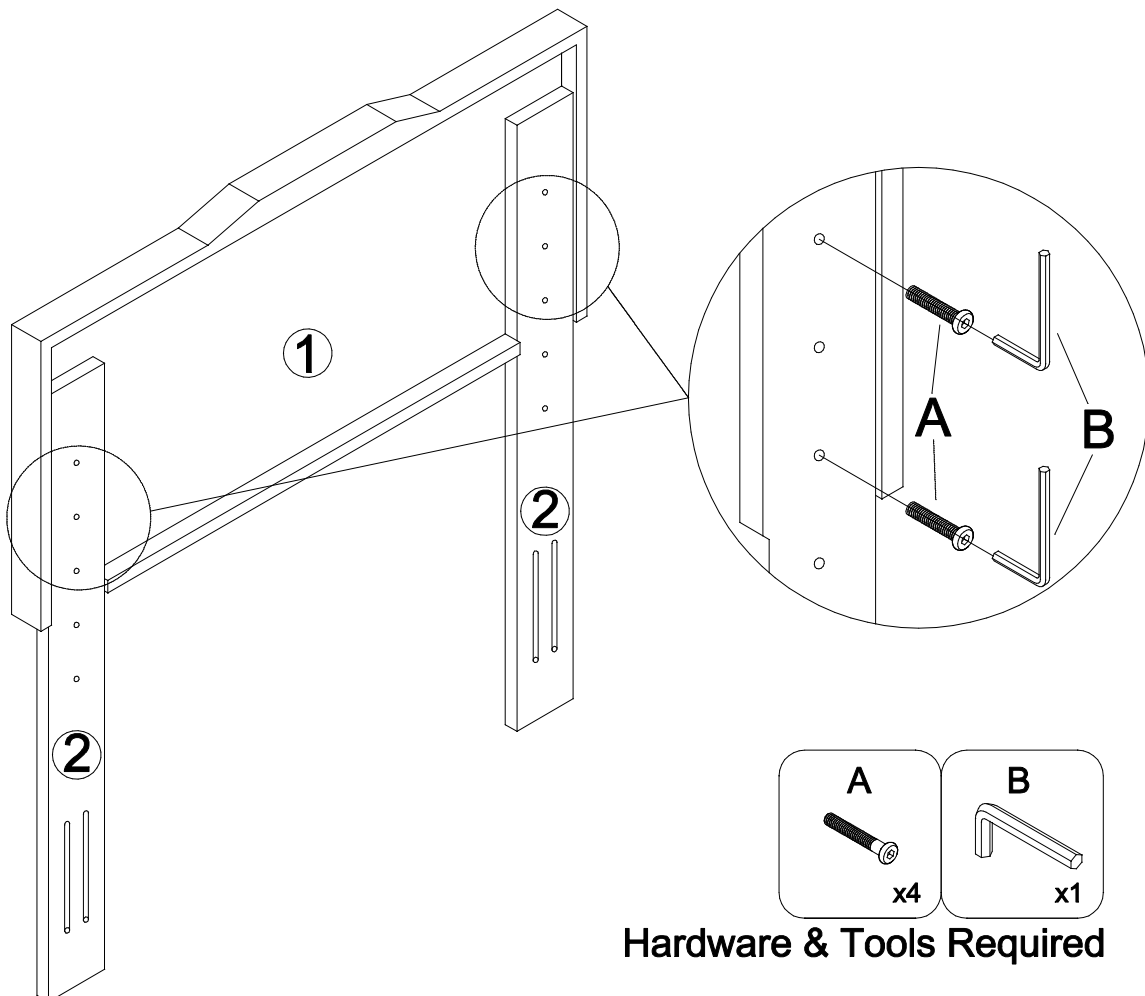
STEP 1:

Take 2 pieces of **Low Posts (2)** from the **Headboard (1)** as shown.



STEP 2:

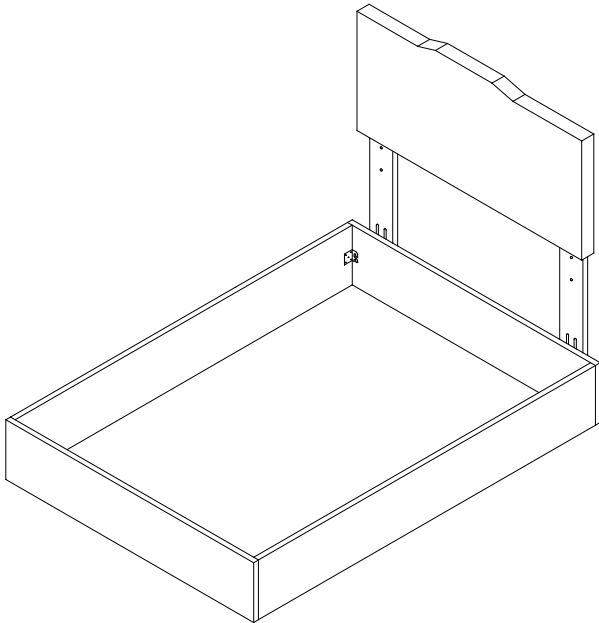
1. Attach 2 pieces of **Low Posts (2)** to the **Headboard (1)** by using 4 pieces of **Bolts (A)** as shown.
2. Use **Allen Wrench (B)** to tighten all **Bolts (A)** clockwise as shown.



ASSEMBLY INSTRUCTIONS

OPTION 1

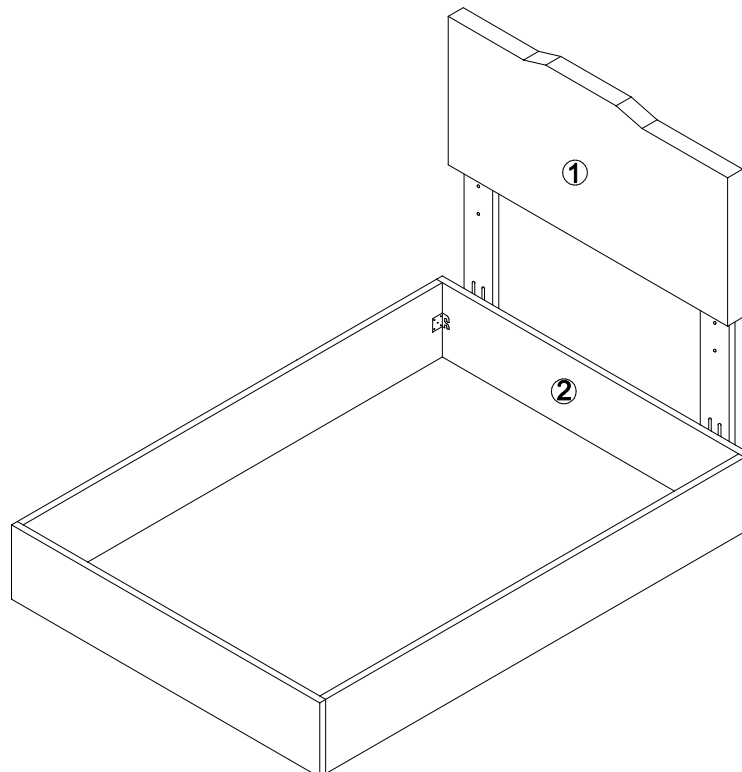
Option 1



Hardware:

A.		Bolt M6x45mm	x4
B.		Bolt M6x65mm	x4
C.		Flat Washer M6	x8
D.		Spring Washer M6	x4
E.		Nut M6	x4
F.		Allen Wrench	x1
G.		Spanner Wrench	x1

Components:



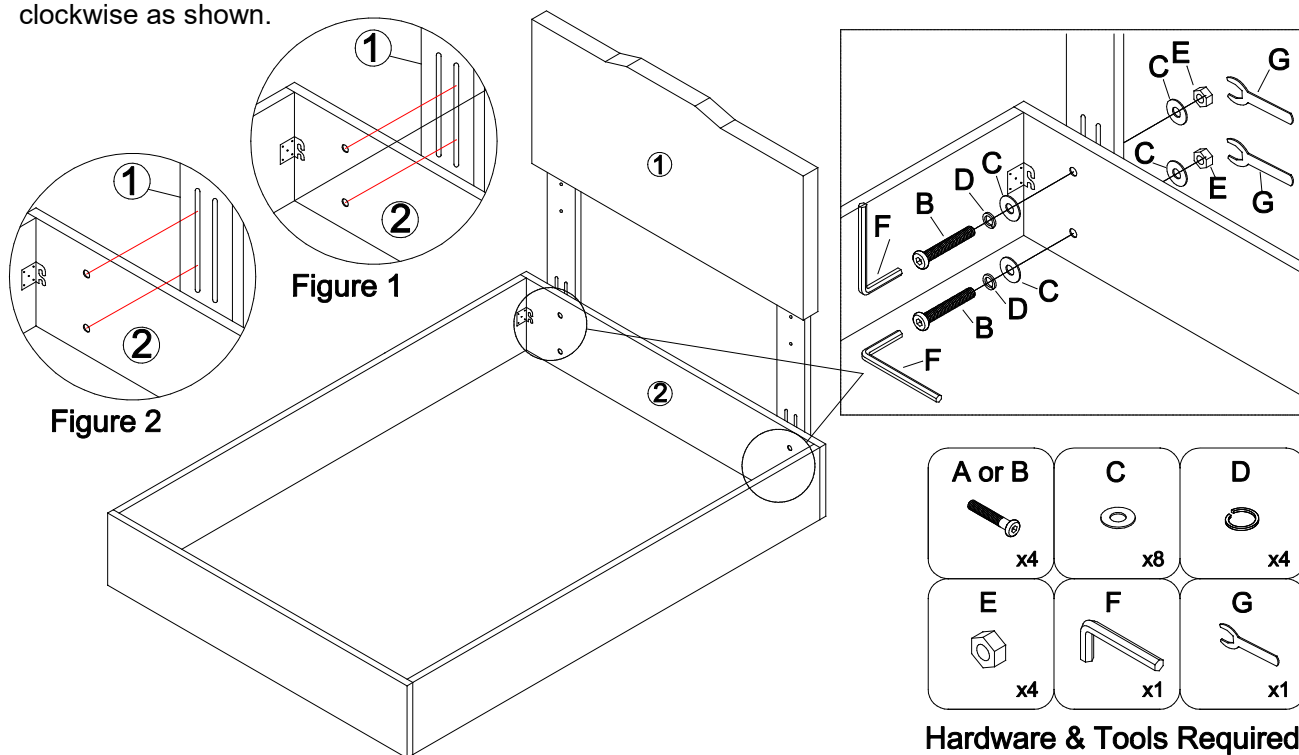
1. Headboard **x1**
 (Style may vary)

2. Bed frame **x1**

Note: Extra hardware were provided for attaching the headboard to your Bed Frame (use is optional).

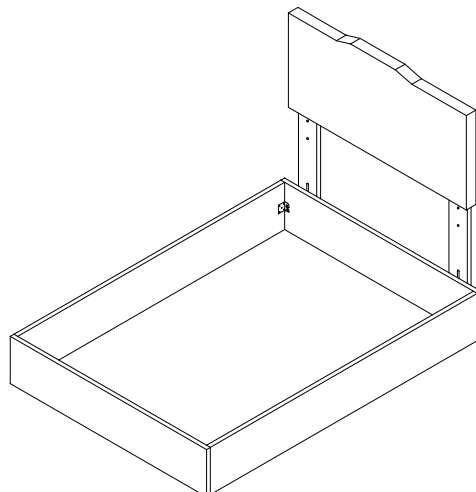
STEP 1:

1. Line up the **Bed Frame (2)** board's pre-drilled holes to match the **Headboard (1)** post's Internal or external hole (**Noted:** Full size Bed Frame match the Headboard post's internal hole as shown with **Figure 1** and Queen size Bed Frame match Headboard post's external hole as shown with **Figure 2**.)
2. Secure the **Headboard (1)** to the **Bed Frame (2)** by using 2 pieces of **Bolts (B)** for the thicker **Bed Frame (2)**, and 2 pieces of **Bolts (A)** for the thinner **Bed Frame (2)**.
3. Before inserting each bolt, place 1 piece of **Spring Washer (D)** and **Flat Washer (C)** on each bolt. Then Fit 1 piece of **Flat Washer (C)** and **Nut (E)** on the bolt as it protrudes through the **Bed Frame (2)** and the **Headboard (1)** as shown.
4. Repeat the same procedure for each bolt and each side of the **Bed Frame (2)**.
5. Use **Allen Wrench (F)** and **Spanner Wrench (G)** to tighten all **Bolts (A or B)** and **Nut (E)** clockwise as shown.



STEP 2:

Carefully position the assembled bed to the desired location by four adults.



Assembly is completed. The bed is ready to use now!

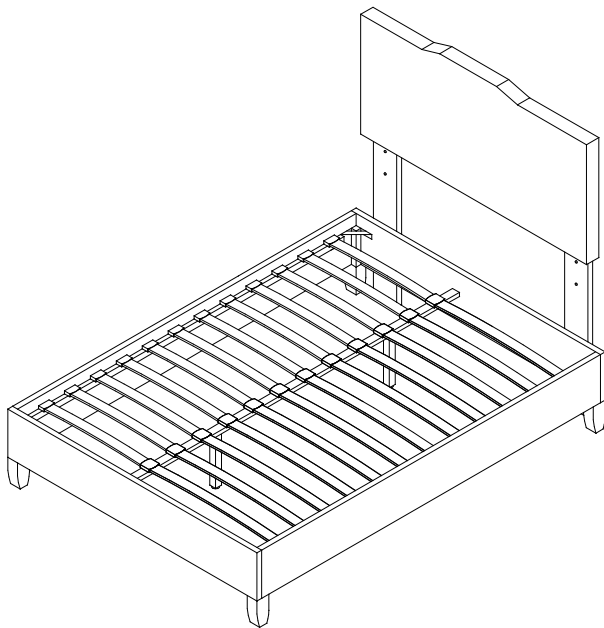
NOTE: Hardware may loosen over time. Periodically check that all connections are tight.

ASSEMBLY INSTRUCTIONS

OPTION 2

Note: This is assembly instruction for Headboard connect to MODWAY Bed Frame

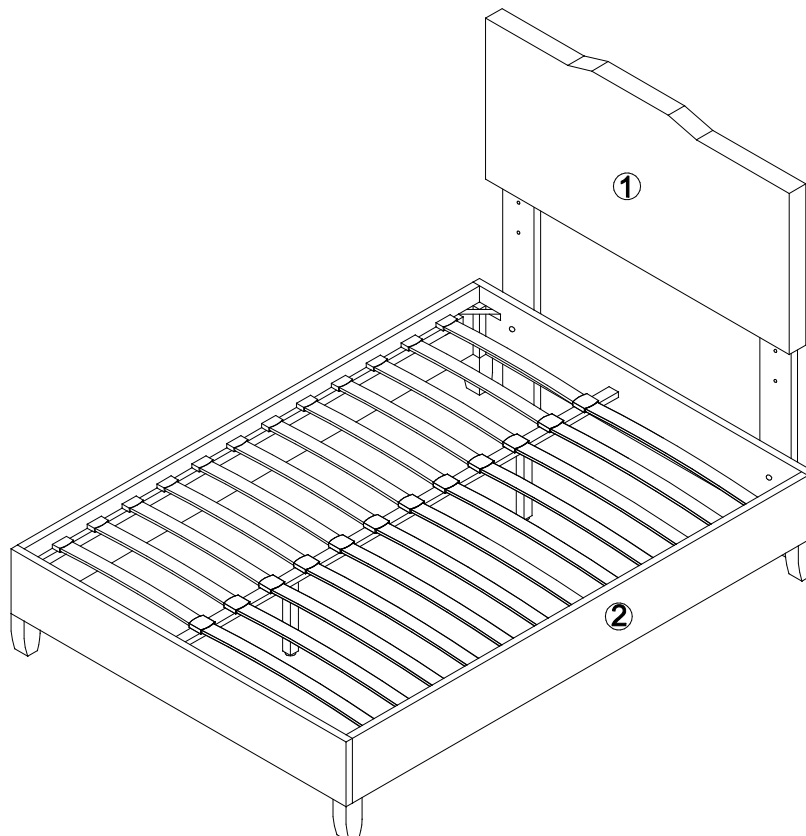
Option 2



Hardware:

- | | | | |
|----|--|------------------|----|
| A. | | Bolt M6x45mm | x4 |
| B. | | Bolt M6x65mm | x4 |
| C. | | Flat Washer M6 | x4 |
| D. | | Spring Washer M6 | x4 |
| E. | | Allen Wrench | x1 |

Components:

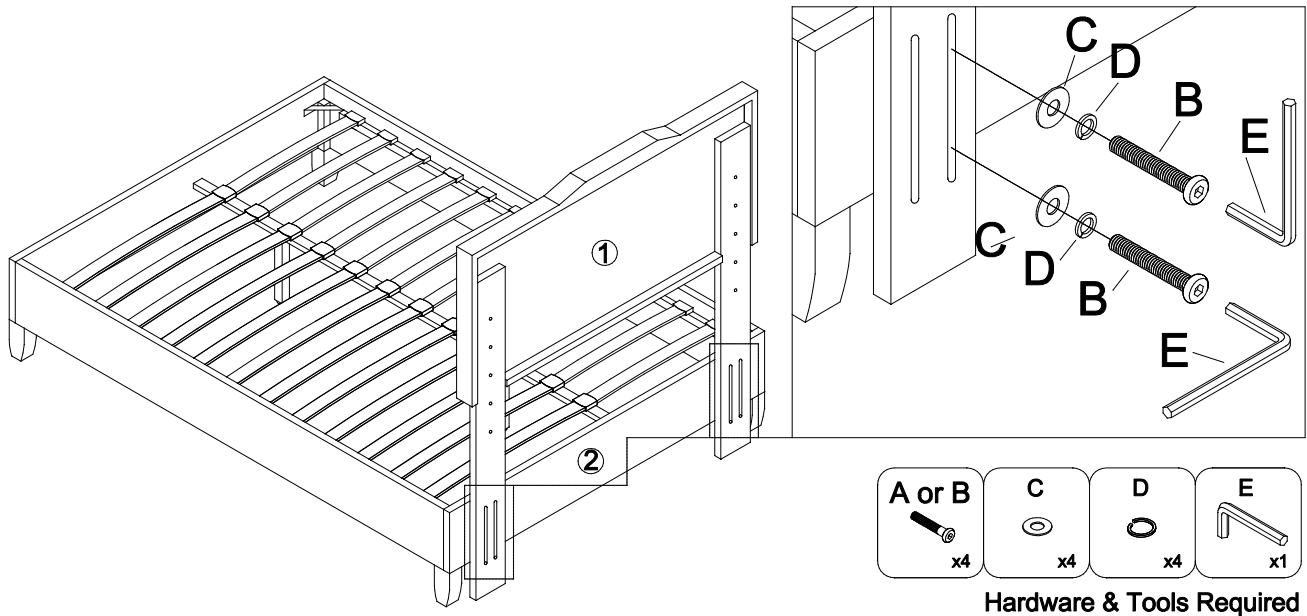


1. Headboard x1
(Style may vary)

2. Bed frame x1
(Style may vary)

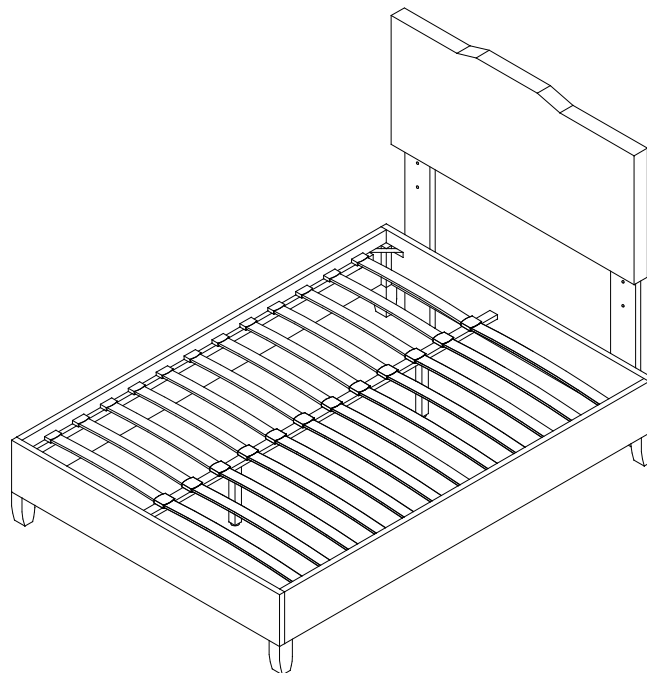
STEP 1:

1. Line up the **Bed Frame (2)** board's pre-drilled holes to match the **Headboard (1)** post's Internal or external hole. **(Noted: Full size Bed Frame match the Headboard post's internal hole as shown and Queen size Bed Frame match Headboard post's external hole as shown.)**
2. Secure the **Headboard (1)** to the **Bed Frame (2)** by using 2 pieces of **Bolts (B)** for the thicker **Bed Frame (2)**, and 2 pieces of **Bolts (A)** for the thinner **Bed Frame (2)**.
3. Attach the **Headboard (1)** to the **Bed Frame (2)** by using 2 pieces of **Bolts (B)** with 2 pieces of **Spring Washers (D)** and 2 pieces of **Flat Washers (C)** for the thicker **Bed Frame (2)** as shown.
4. Repeat the same procedure for each bolt and each side of the **Bed Frame (2)**.
5. Use **Allen Wrench (E)** to tighten all **Bolts (A or B)** clockwise as shown.



STEP 2:

Carefully position the assembled bed to the desired location by four adults.



Assembly is completed. The bed is ready to use now!

NOTE: Hardware may loosen over time. Periodically check that all connections are tight.