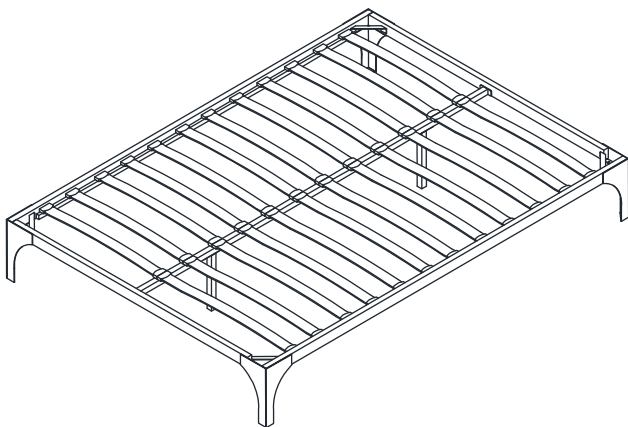


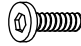








Thank you for purchasing the **MODWAY FULL BED FRAME!**

Before you start, here is some helpful advice:

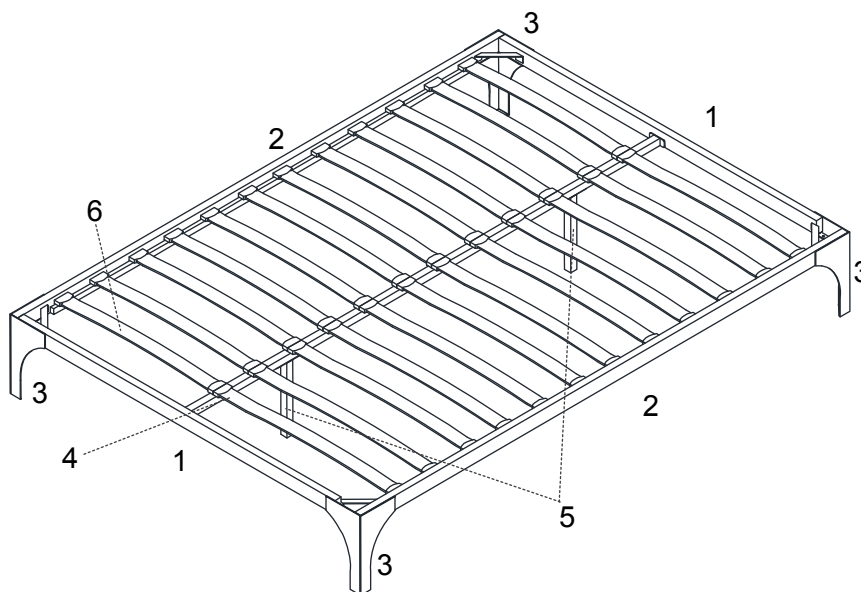
1. We suggest you spend a short time reading through this leaflet and then follow the simple step by step instructions.
2. Owing to the size and weight of the bed frame, we recommend that it is assembled by two adults, on a carpeted or padded area, in the room that it is intended for. Approx assembly time: 45 minutes.
3. Please do not use any tools other than those provided or recommended in these instructions.
4. Please do not throw away any of the packaging or the instruction until you have checked all the components and hardware and the furniture is fully assembled. Please ensure that the packaging is disposed of in a safe environmentally friendly way.
5. Assemble all components loosely until advised to tighten. Depending on use, it may be necessary to tighten the components from time to time, so please save the tools that has been provided.
6. Please keep all fitting out of reach of children.



### Hardware:

A		Blot M8x20mm	x28
B		Blot M6x35mm	x4
C		Metal Support	x4
D		Nut M6	x4
E		Flat Washer	x8
F		Allen Wrench	x1
G		Open Wrench	x1
H		Side Plastic Cover	x24
J		Center Plastic Cover	x12

### Component:



1	Short Board	x2	2	Long Board	x2	3	Leg	x4
4	Center Rail	x1	5	Support Leg	x2	6	Slat	x24

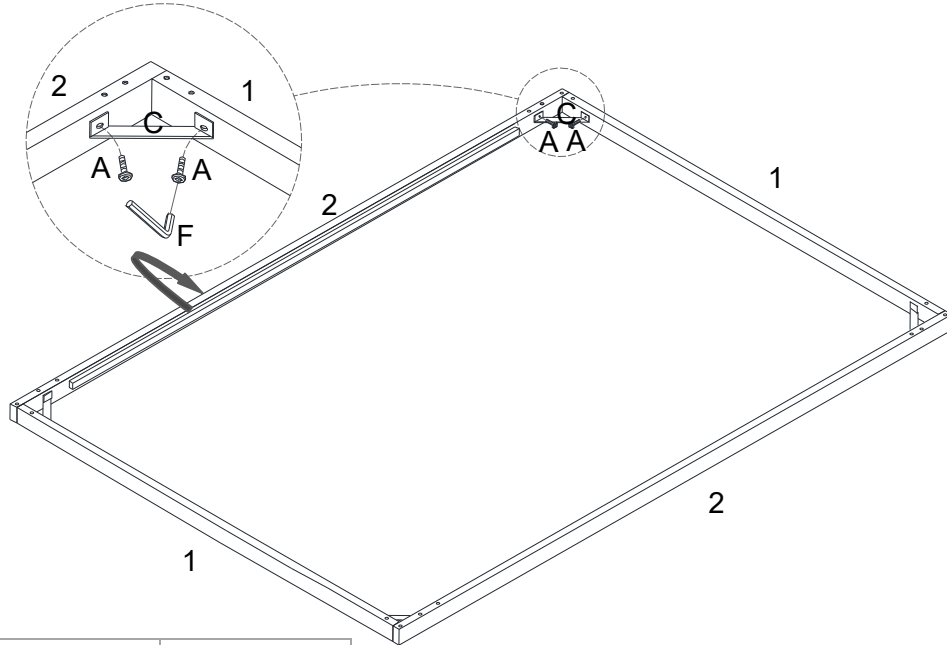
## STEP 1:

Please put **Short Boards (1)**, **Long Boards (2)** upside down on a carpeted or padded area.

Attach 1 piece of **Metal Support (C)** to one corner of **Short Boards (1)** and **Long Boards (2)** by using 2 pieces of **Bolt (A)** as shown.

Repeat the same steps for the remaining 3 pieces of **Metal Support (C)**.

Use **Allen Wrench (F)** to tighten **Bolts (A)** clockwise until secure.



Ax8	Cx4	Fx1

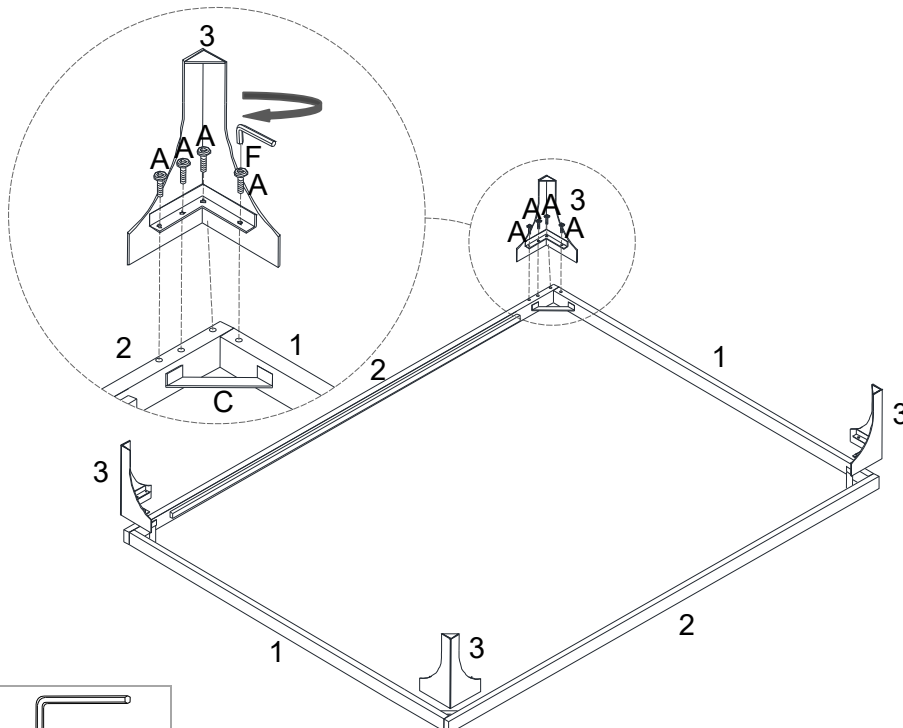
Hardware & Tool required

## STEP 2:

Attach 1 piece of **Leg (3)** to one corner of **Short Boards (1)** and **Long Boards (2)** by using 4 pieces of **Bolt (A)** as shown.

Repeat the same steps for the remaining 3 pieces of **Leg (3)**.

Use **Allen Wrench (F)** to tighten **Bolts (A)** clockwise until secure.



Ax16	Fx1

Hardware & Tool required

### STEP 3:

Place **Stretchers (4)** to the assembled **Long Board (2)**.

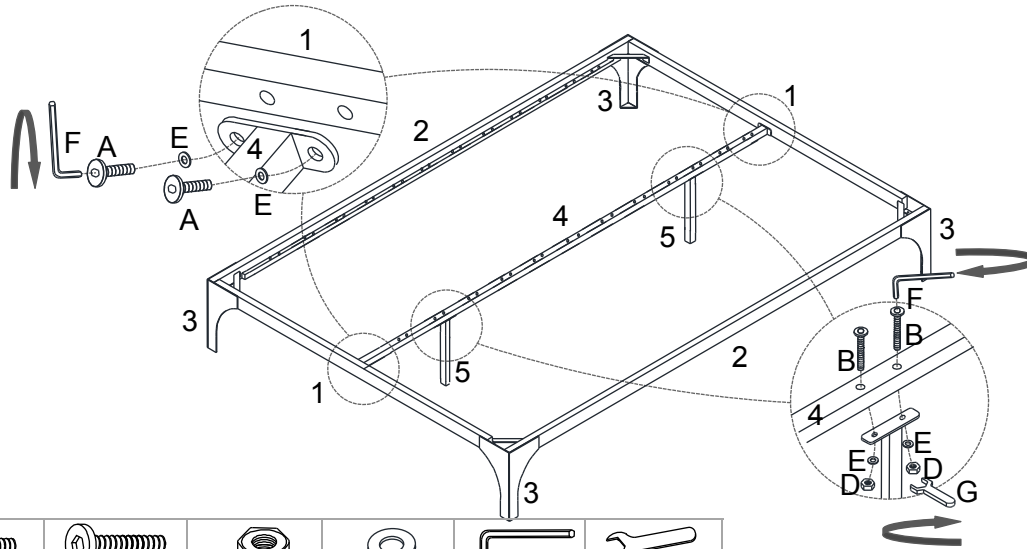
Secure each end of **Stretchers (4)** by using 2 pieces of **Bolt (A)** and 2 pieces of **Flat Washer (E)** as shown.

Tighten **Bolts (A)** by using **Allen Wrench (F)** clockwise until secure.

Place 2 pieces of **Support Leg (5)** under the assembled **Stretchers (4)**.

Secure each **Support Leg (5)** by using 2 pieces of **Bolt (B)**, 2 pieces of **Flat Washer (E)** and 2 pieces of **Nut (D)** as shown.

Tighten **Bolts (B)** and **Nuts (D)** by using **Allen Wrench (F)** and **Open Wrench (G)** until secure.



Ax4	Bx4	Dx4	Ex8	Fx1	Gx1

Hardware & Tool required

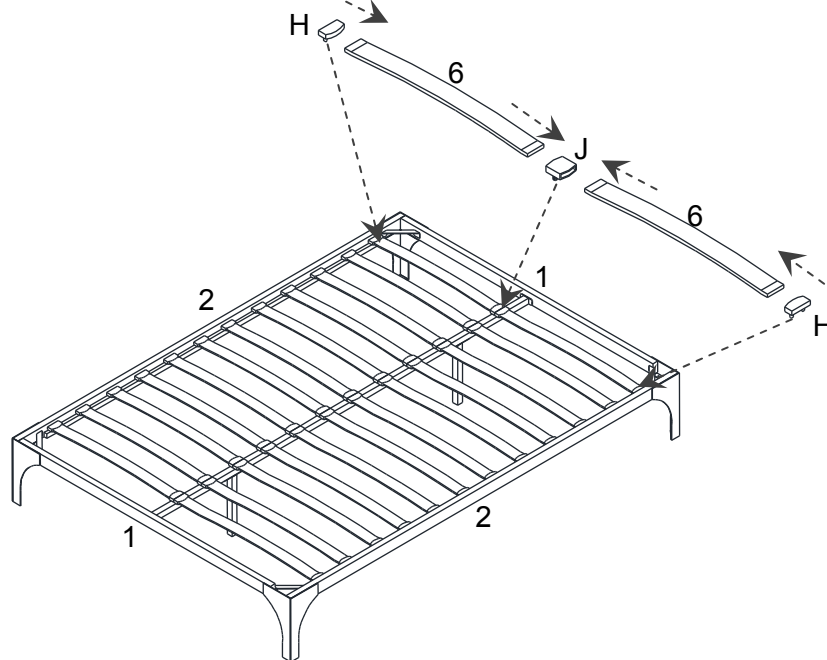
### STEP 4:

Insert 2 pieces of **Side Plastic Cover (H)** into each end of 2 pieces of **Slat (6)** as shown.

Insert the other end of the **Slats (6)** into 1 piece of **Center Plastic Cover (J)** as shown.

Insert the assembled **Side Plastic Covers (H)** into the corresponding holes on **Long Board (2)**, and the assembled **Center Plastic Cover (J)** into the corresponding holes on **Center Rail (4)** as shown.

Repeat the same steps for the remaining 22 pieces **Slat (6)**.



Assembly is complete. Your bed frame is ready to be used now!

Hx24	Jx12

Hardware & Tool required