

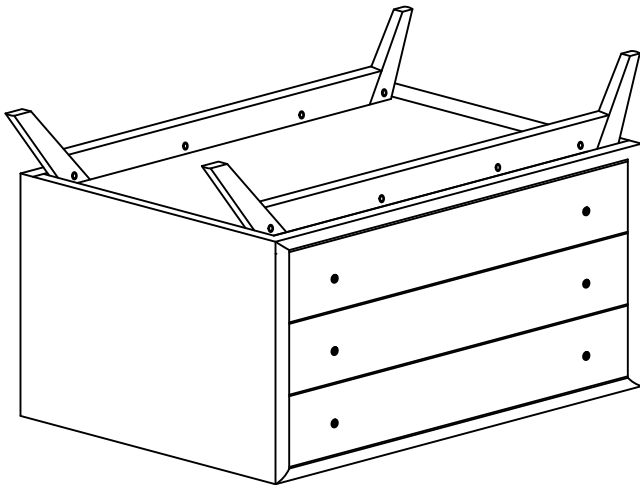
MOD-5241

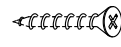
Thank you for purchasing the **MODWAY DRESSER(WITH MIRROR SUPPORT) !**

Before you start, here is some helpful advice:

1. We suggest you spend a short time reading through this leaflet and then follow the simple step-by-step instructions.
2. Owing to the size and weight of the nightstand, we recommend that it is assembled by two adults, on a carpeted or padded area, in the room that it is intended for. Approximate assembly time :30 minutes.
3. Please do not use any tools other than those provided or recommended in these instructions.
4. Please do not throw away any of the packaging or the instruction until you have checked all the components and hardware and the furniture is fully assembled. Please ensure that the packaging is disposed of in a safe and environmentally friendly way.
5. Assemble all components loosely until advised to tighten. Depending on use, it may be necessary to tighten the components from time to time, so please save the tools that has been provided.
6. Please keep all fitting out of reach of children.

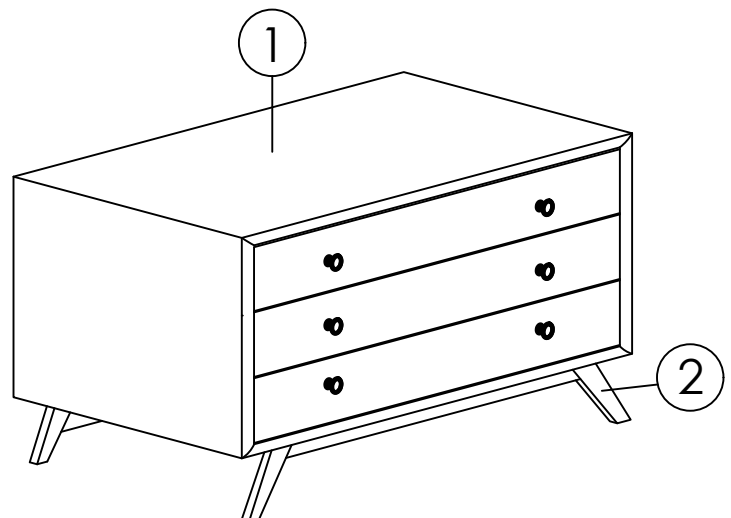
Hardware for Dresser

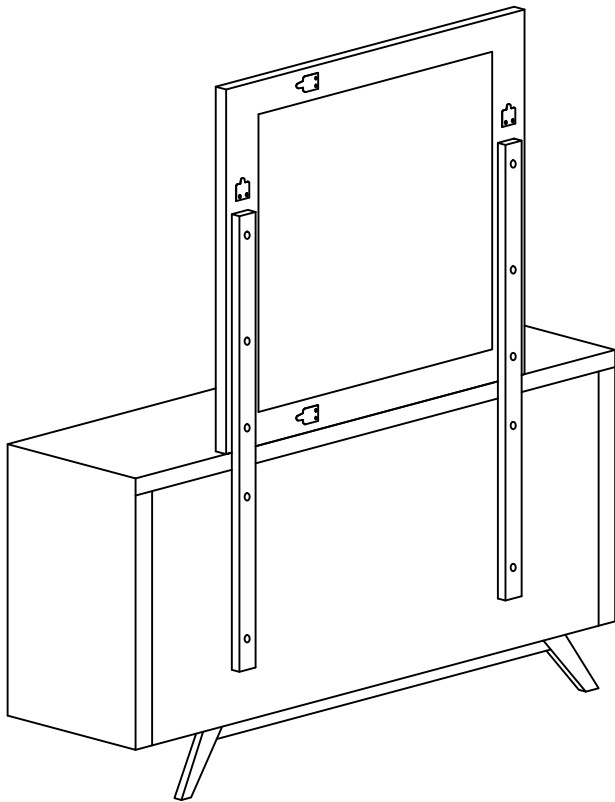


A		JCBC SCREW M6 X 30MM	x8
B		SPRING WASHER 1/4"	x8
C		M4 ALLEN KEY (BALL SHAPE) LONG	x1
D		WALL SCREW M4 x 18MM	x1
E		WALL SCREW M4 x 50MM	x1
F		L- BRACKET	x2
G		BELT	x1
H		FELT PROTECTOR	x4

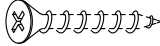
Component :

- 1- DRESSER
- 2- DRESSER LEGS

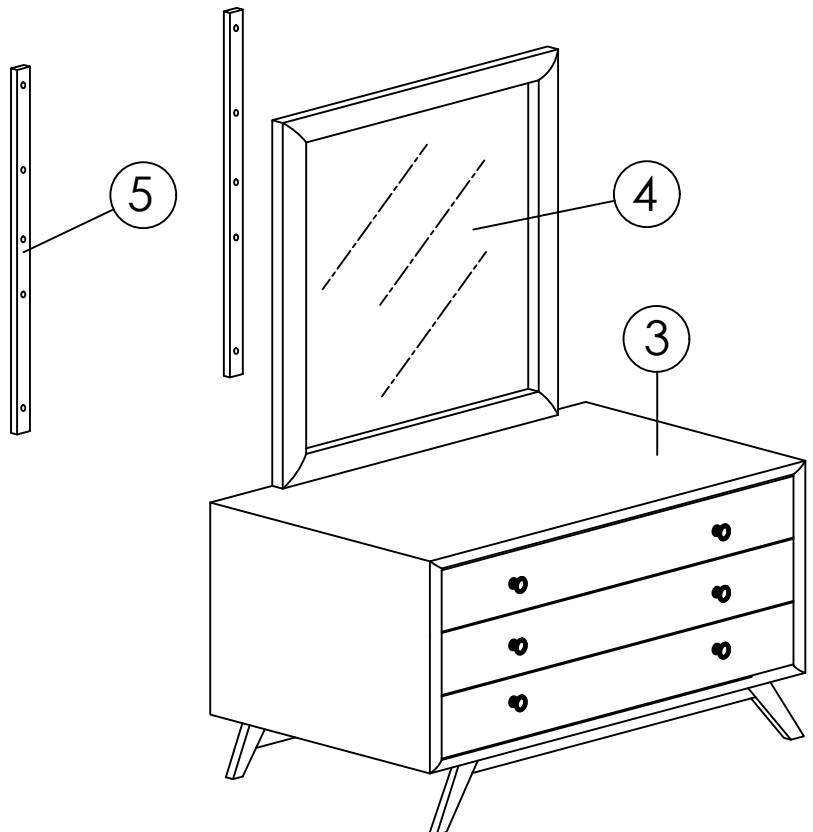




Hardware for Dresser(with mirror support)

D  M5 x 32MM WOOD SCREW **x10**

Component :

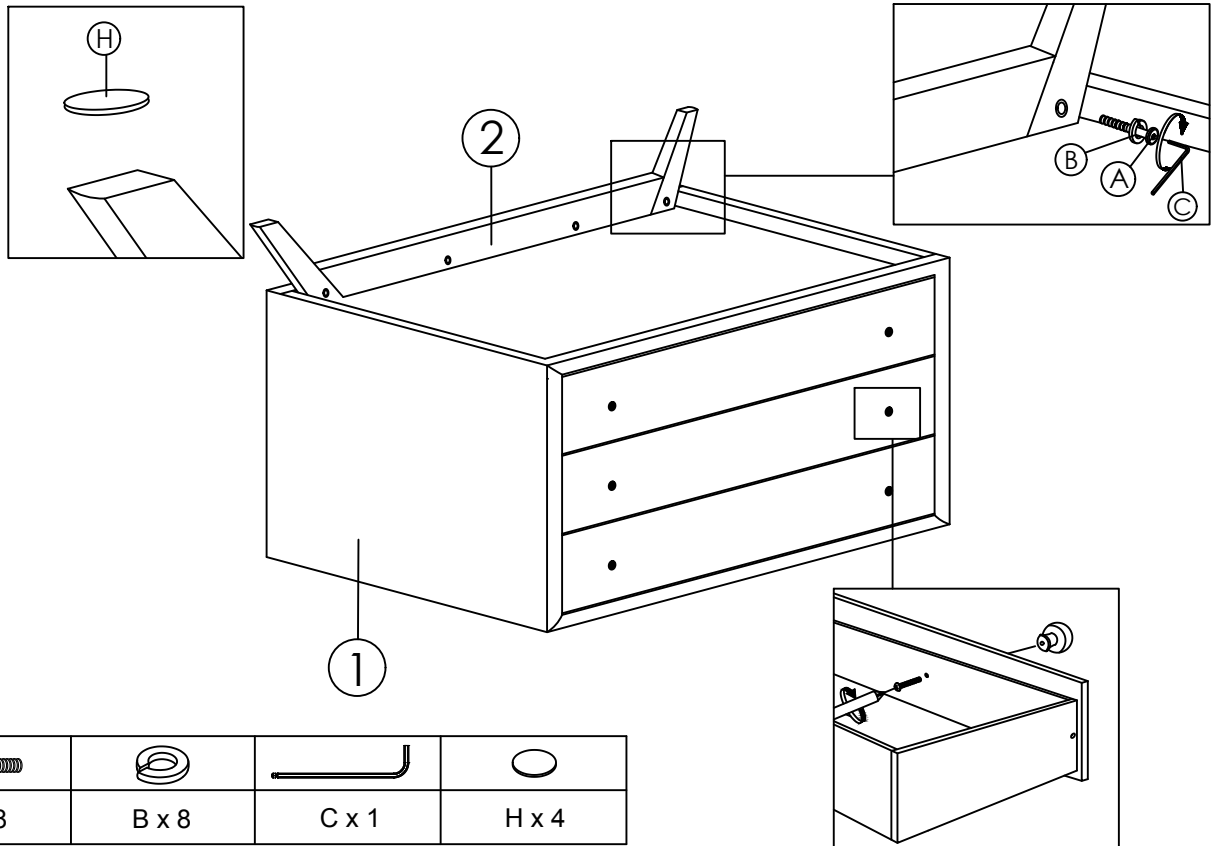


- 3- DRESSER
- 4- MIRROR
- 5- SUPPORT RAIL

MOD-5241

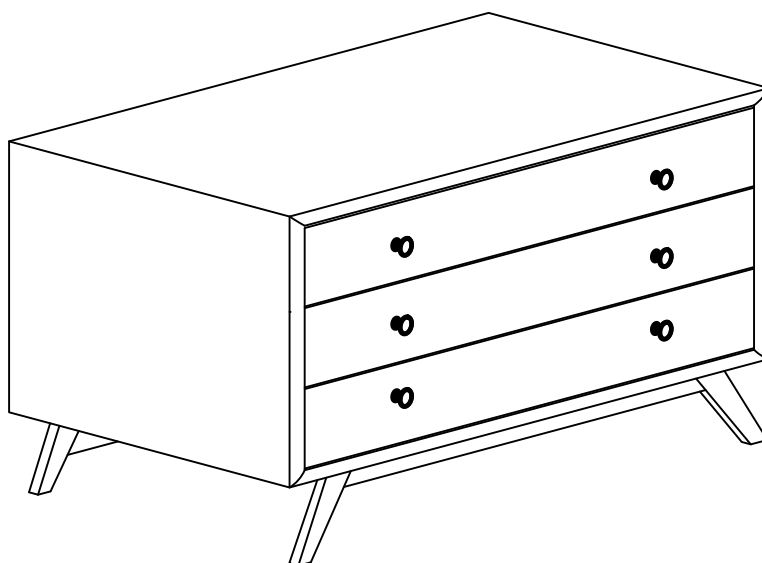
STEP 1 :

1. Place **Dresser(1)** on a carpeted surface. Attach **Dresser Legs(2)** into **Dresser(1)** by inserting **JCBC SCREW M6 x 30mm (A)** and **Spring Washer $\frac{1}{4}$ "(B)**. Tighten with **M4 Allen Key(Ball Shape)Long(C)**.



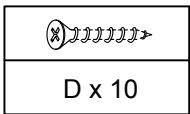
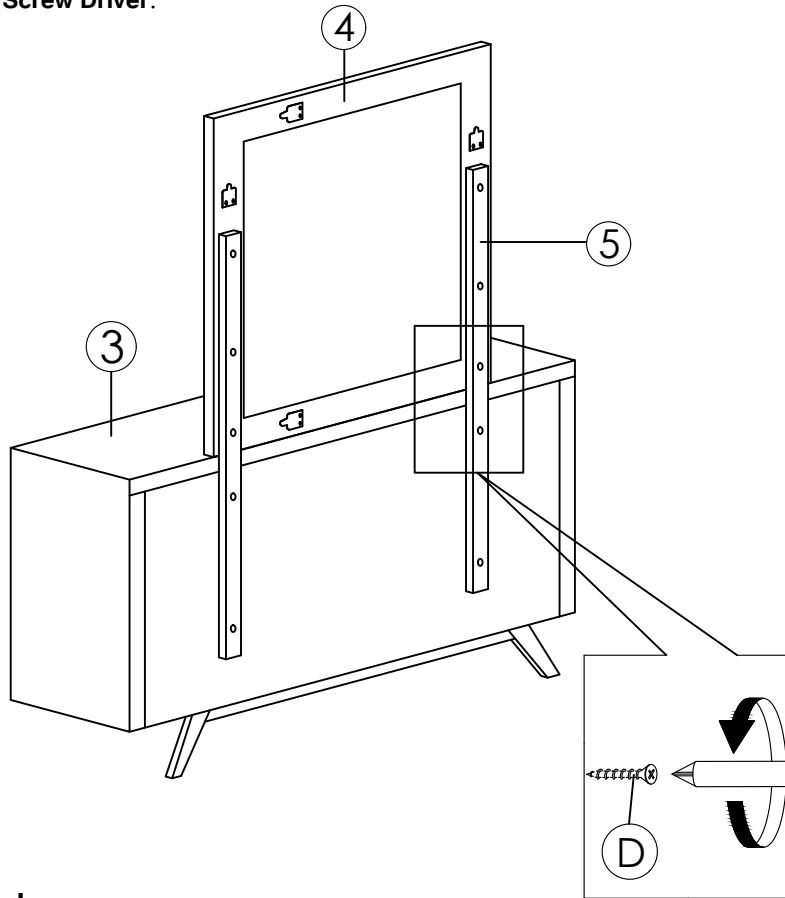
Hardware & Tool required

STEP 2 :



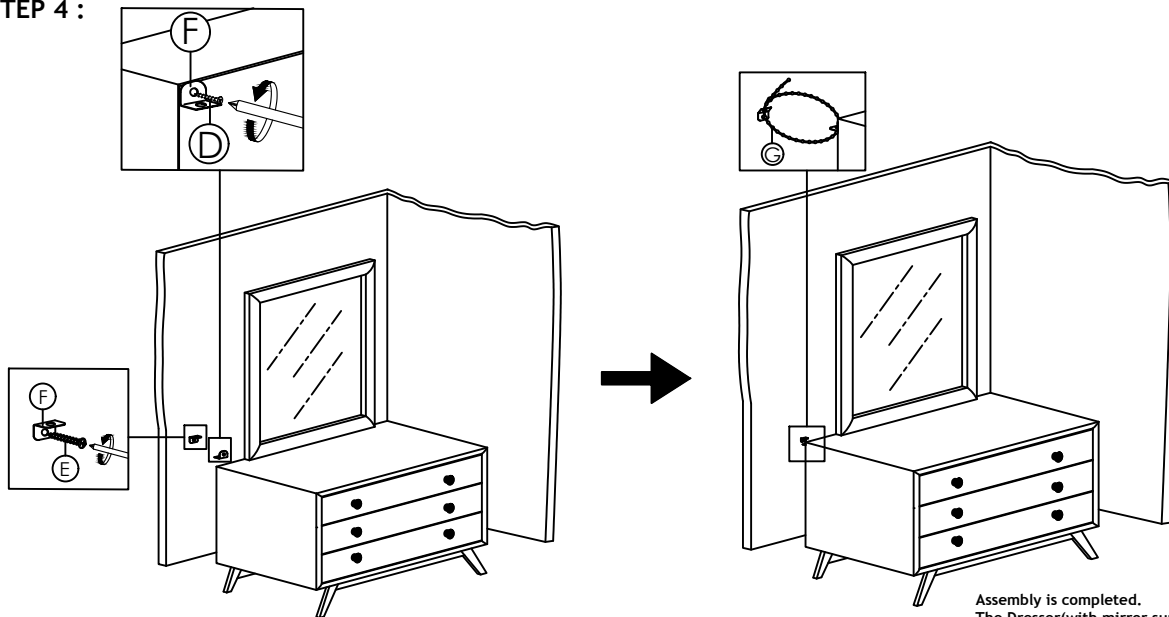
STEP 3 :

1. Align **Support Rails(5)** and **Mirror(4)** with **Dresser(3)** together. Then, insert **M5 x 32mm Wood Screw (D)** through the **Support Rails(5)**. Tighten with **Screw Driver**.

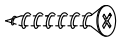





Hardware & Tool required

STEP 4 :



Assembly is completed.
The Dresser(with mirror support) is ready to enjoy now !

			
D x 1	E x 1	F x 2	G x 1

Hardware & Tool required