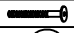




# ASSEMBLY INSTRUCTIONS

Read this instruction carefully. See furniture and hardware part lists, on the right, for guidance.

Have all parts ready before assembly. Place all wooden furniture parts on a clean and flat soft surface to prevent from being scratched. Follow the steps below to start assembling.

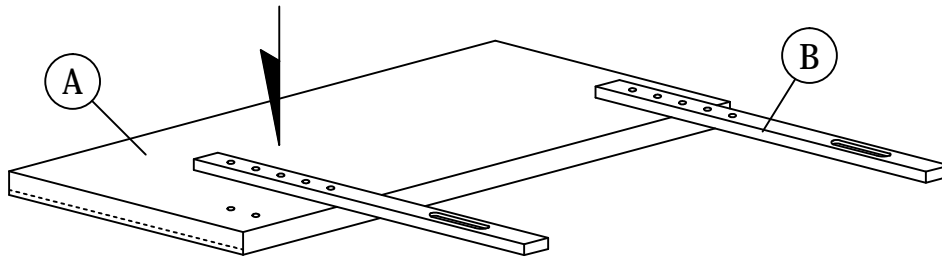
FURNITURE PART LIST		
ITEM	DESCRIPTION	QTY
A	HEADBOARD	1 PC
B	SUPPORT BOARD	2 PCS

HARDWARE PART LIST		
ITEM	DESCRIPTION	QTY
1	JCBB BOLT M8 x 40mm 	4 PCS
2	M8 FLAT WASHER 	4 PCS
3	M5 ALLEN KEY 	1 PC

- CAUTION :**
1. Do not FULLY - TIGHTEN the nut or bolt until all nuts and bolts are assembled.
  2. Do not OVER - TIGHTEN the nut or bolt to avoid causing damages to the thread.
  3. Keep all hardware parts out of reach of children.

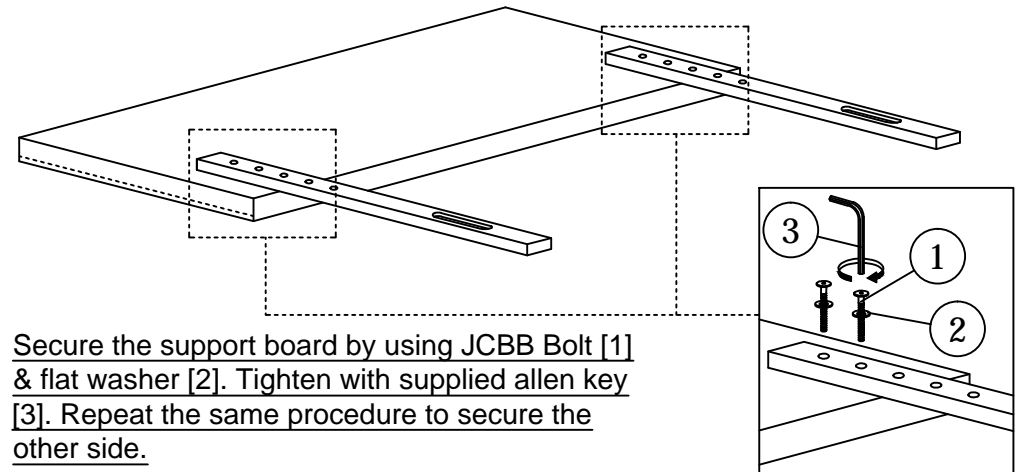
NOTE : THE LIST AND QUANTITY SHOWN ARE FOR 1 UNIT ASSEMBLY.

## STEP 1



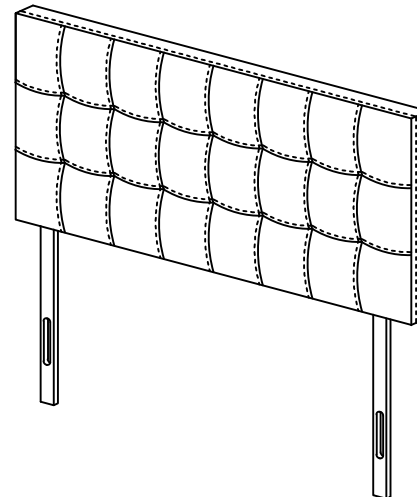
Align support board fixing holes over headboard fixing holes according to your desired height.

## STEP 2



Secure the support board by using JCBB Bolt [1] & flat washer [2]. Tighten with supplied allen key [3]. Repeat the same procedure to secure the other side.

## STEP 3



Your headboard assembly is complete.  
Note: Hardware may loosen over time. Periodically check that all connections are tight.