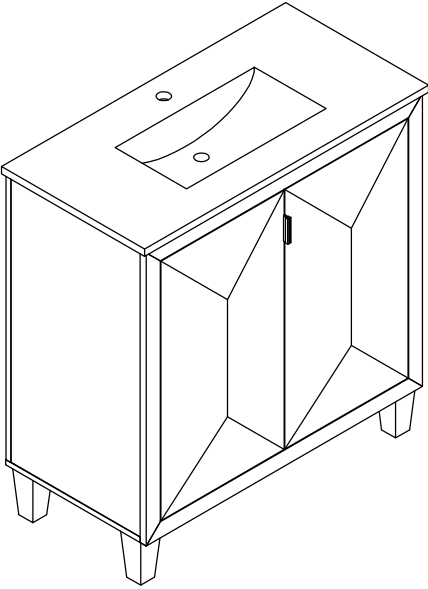
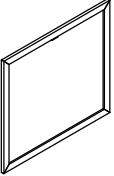
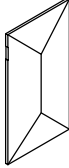
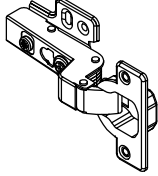
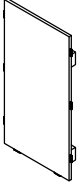
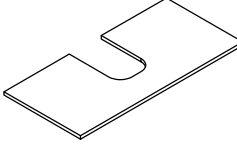
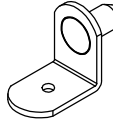
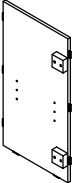
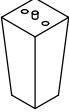
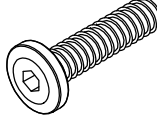
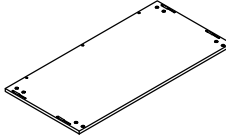
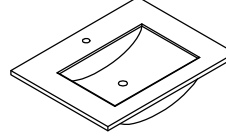
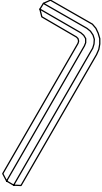
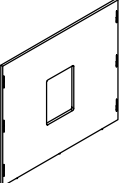
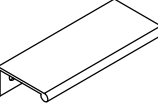
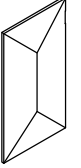
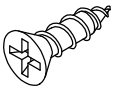


VS-0006 HYDE VANITY SINK

	 <p>A X1 Front Frame</p>	 <p>G X1 Right Door Panel</p>	 <p>3 X4 Door Hinge</p>
	 <p>B X1 Left Side Panel</p>	 <p>H X1 Divider Panel</p>	 <p>4 X4 Angle Bracket Shelf Dowel</p>
	 <p>C X1 Right Side Panel</p>	 <p>I X4 Legs</p>	 <p>5 X8 Allen Bolt 25mm</p>
	 <p>D X1 Bottom Panel</p>	 <p>J X1 Sink</p>	 <p>6 X1 Allen Wrench</p>
	 <p>E X1 Back Panel</p>	 <p>1 X2 Handle</p>	
	 <p>F X1 Left Door Panel</p>	 <p>2 X20 Flat Head Screw</p>	

TOOLS EXCLUDED: Phillips Screwdriver



Caulking Gun

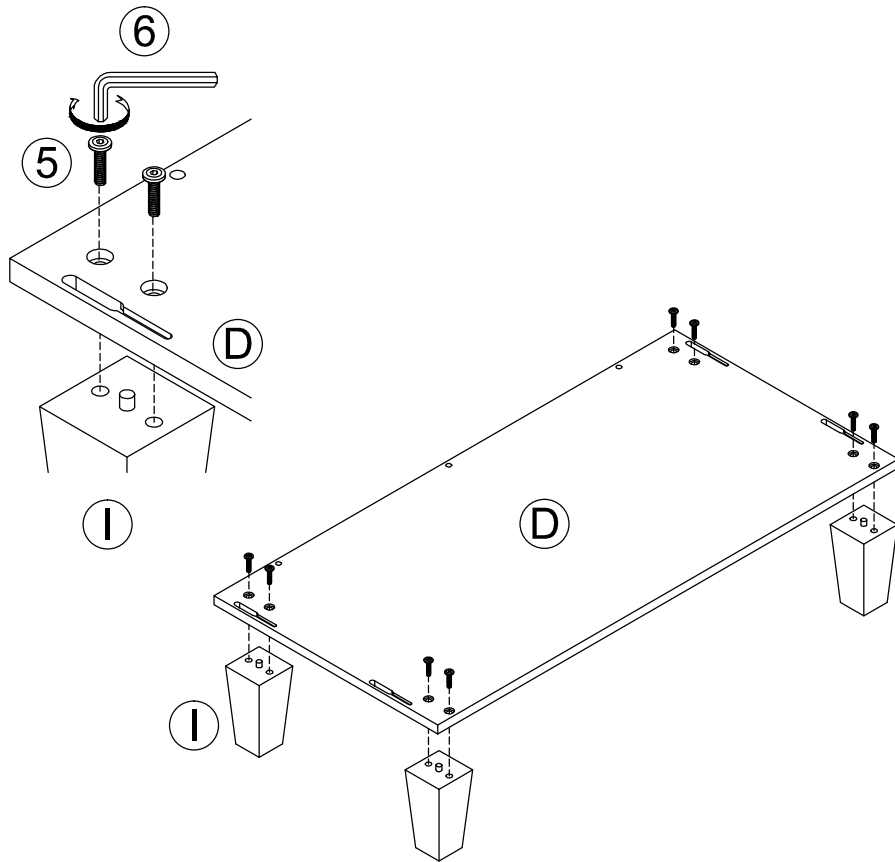


This gun customer need to prepare

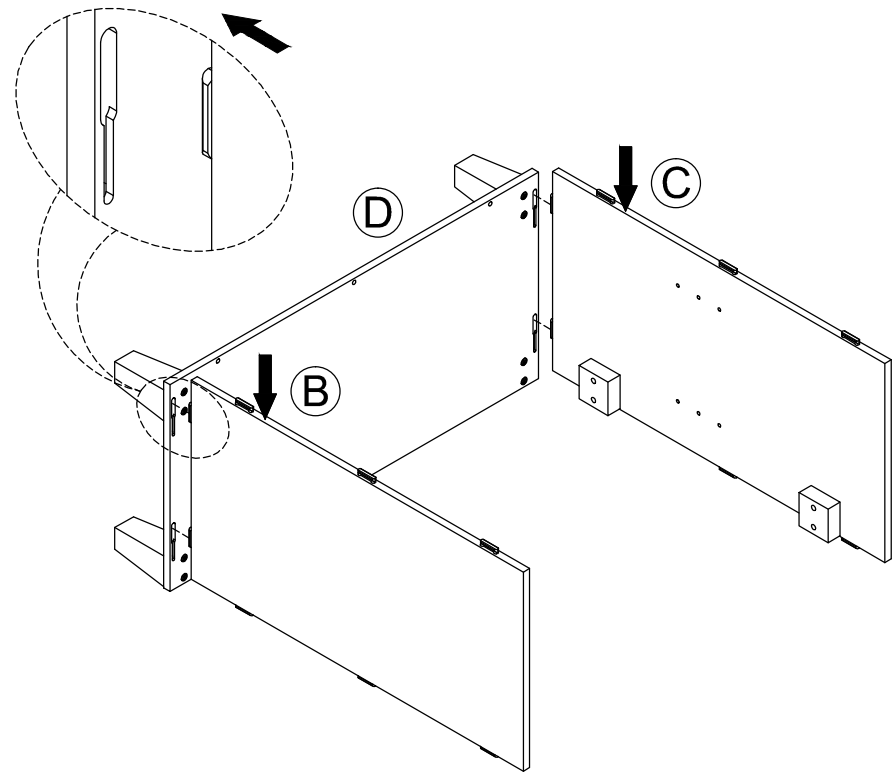


Step 1. Attach the legs (I) to the bottom panel (D) by using the Allen bolts 25mm (5) and the Allen wrench (6).

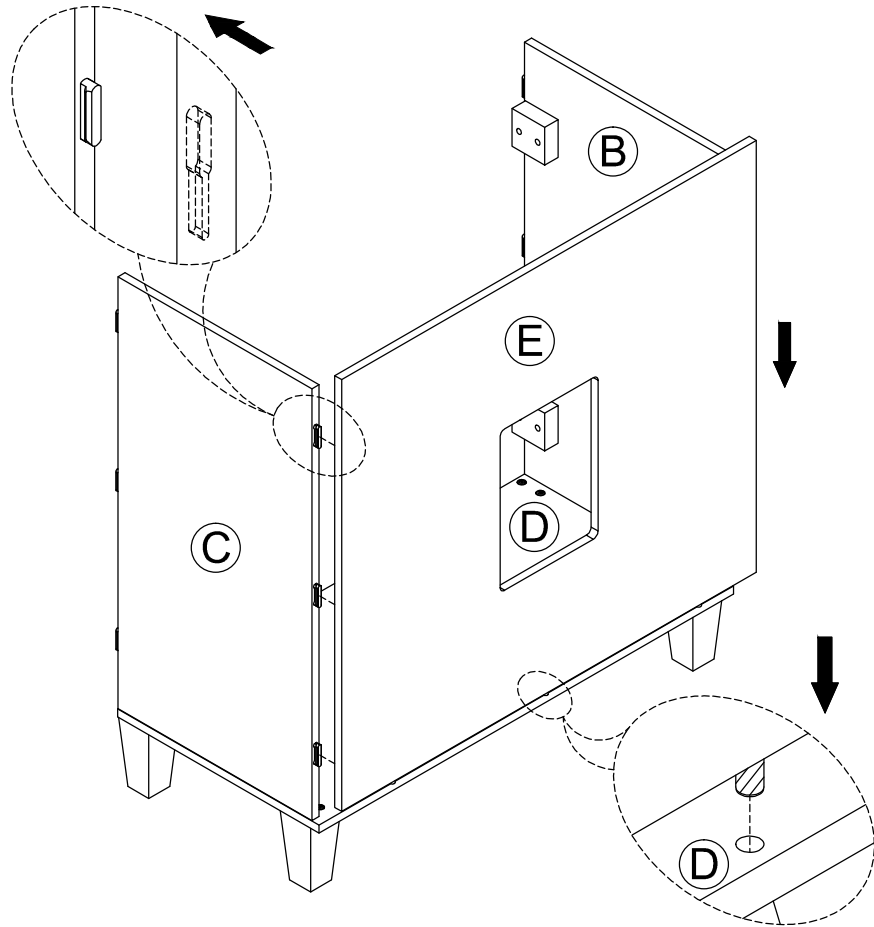
Note: make sure the mounting blocks are facing upward.



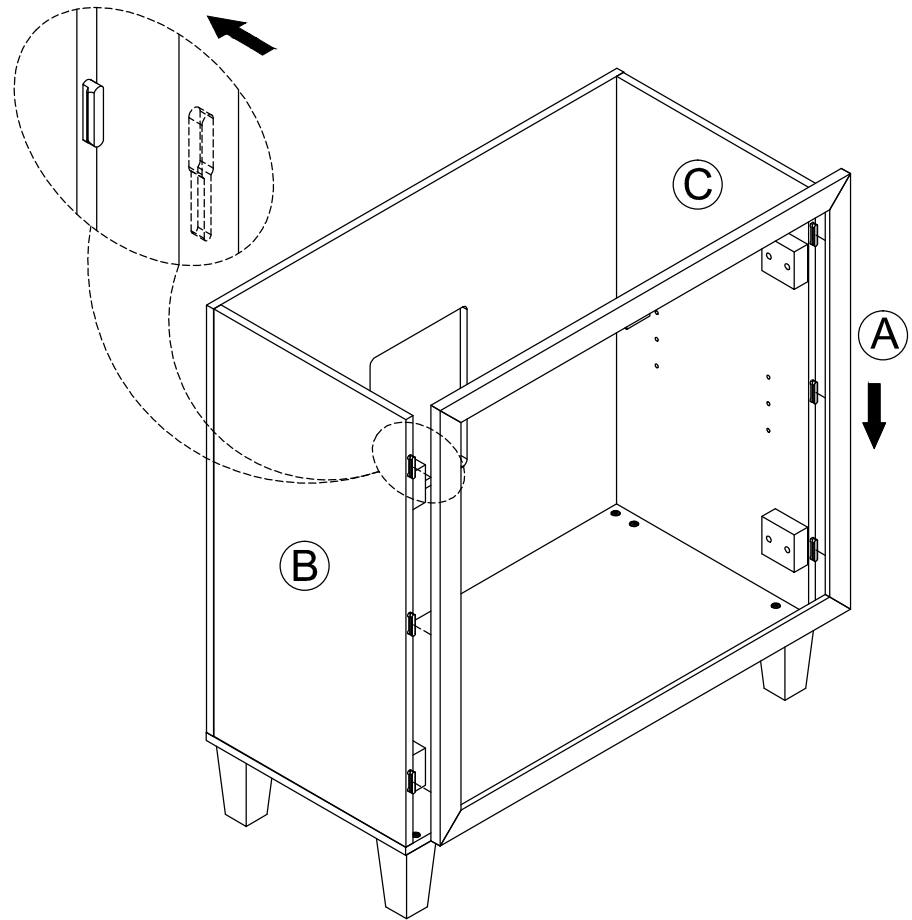
Step 2. Attach the side panels (B,C) to the bottom panel (D) by placing the plastic pieces into the slots and toward down.



Step 3. Attach the back panel (E) to the side panels (B,C) by placing the plastic pieces into the slots and toward down.



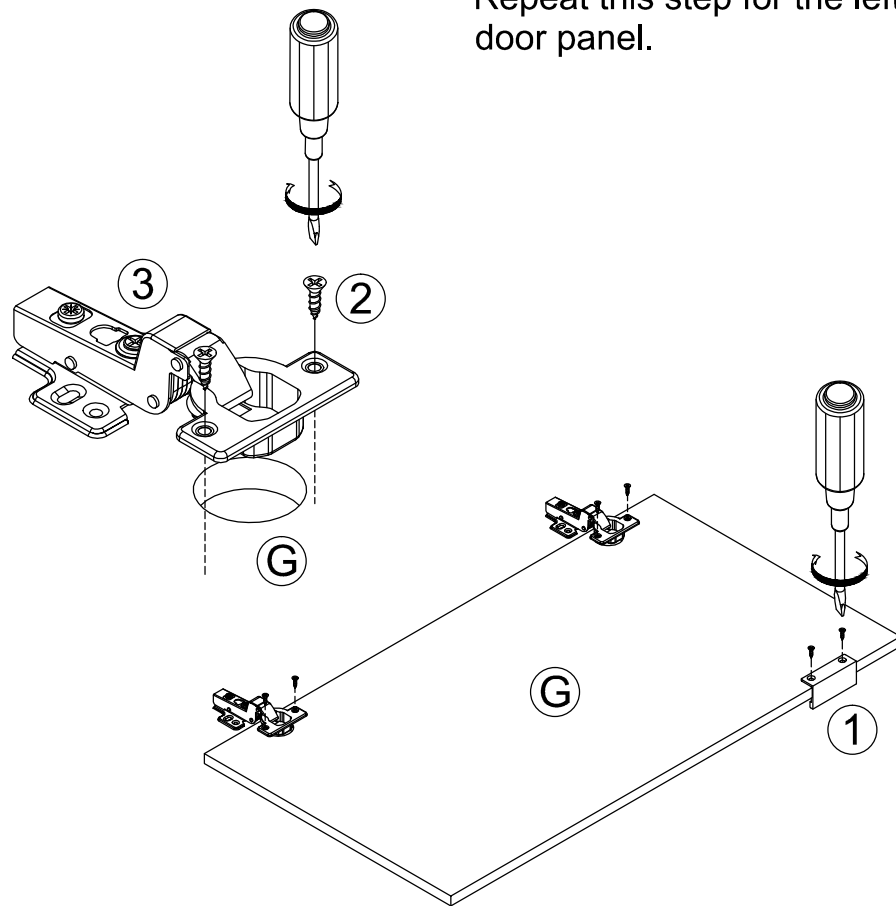
Step 4. Attach the front frame (A) to the side panels (B,C) by placing the plastic pieces into the slots and toward down.



Step 5. Attach the door hinge (3) to the right door panel (G) by using the flat head screw (2) and the Phillips screwdriver.

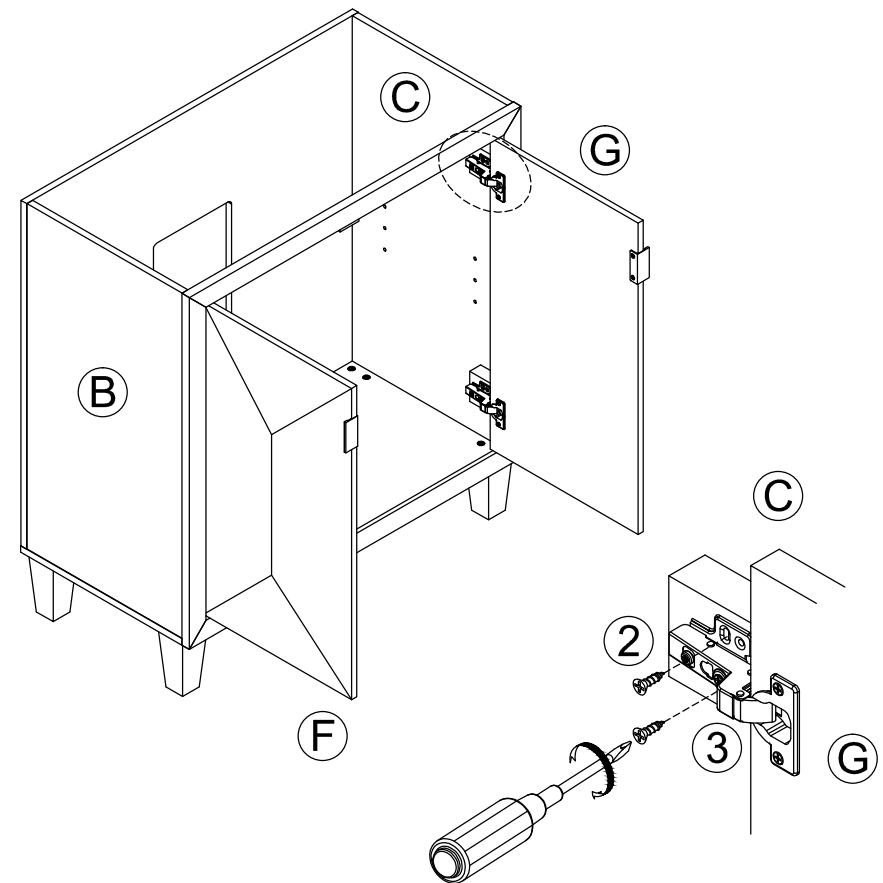
Then, attach the handle (1) to the right door panel (G) by using the flat head screw (2) and the Phillips screwdriver.

Repeat this step for the left door panel.



Step 6. Secure the door panels (F,G) to the side panels (B,C) by using the flat head screw (2) and the Phillips screwdriver.

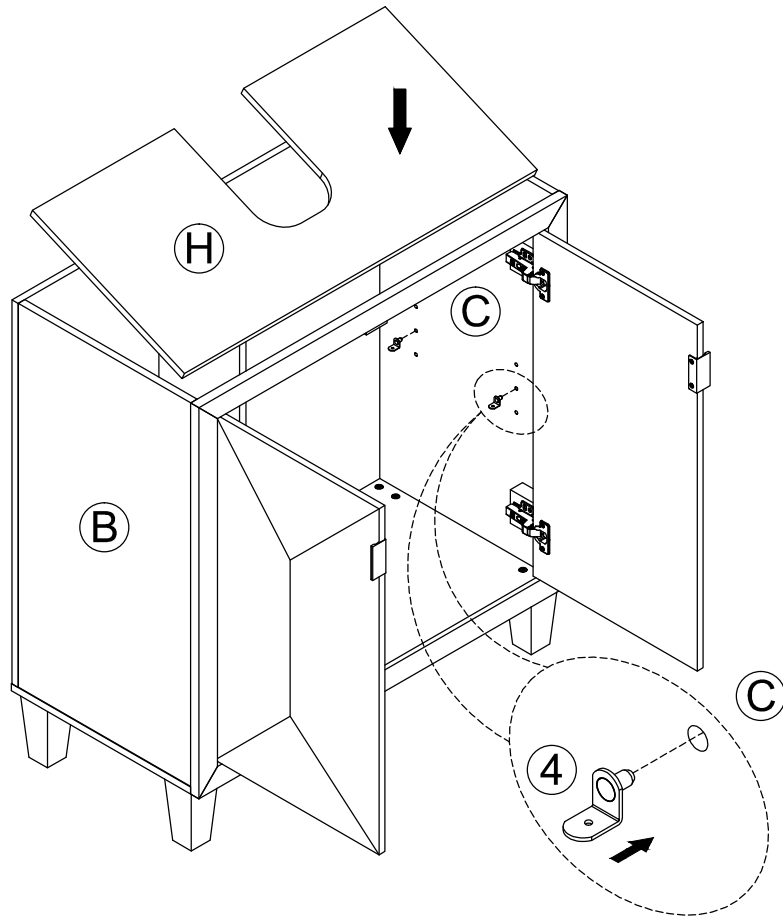
Note: make sure the door hinges are facing inside.



Step 7. Attach the angle bracket shelf dowel (4) to the side panels (B,C).

Place the divider panel (H) to the mounting blocks.

Note: make sure the divider panel (H) are upper the shelf dowel.



Step 8. Secure the sink (J) to the mounting blocks by using the caulking gun.

Note: make sure the sink is securely mounted.

