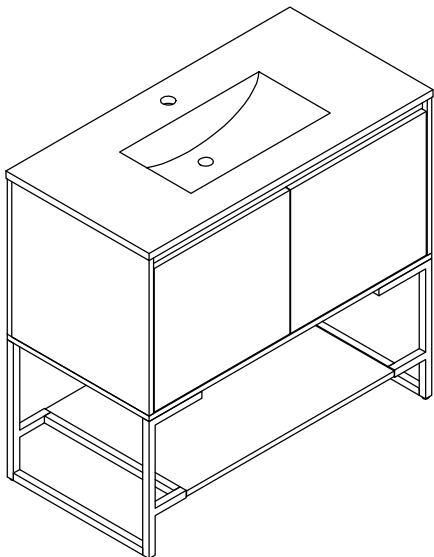
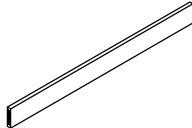
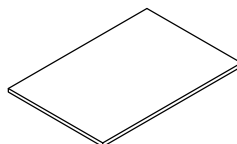
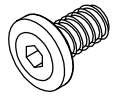
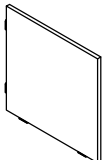
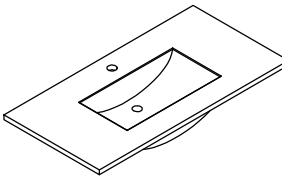
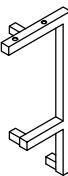
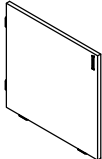
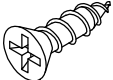
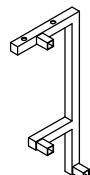
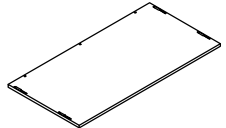
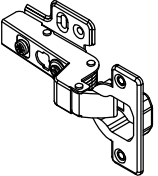
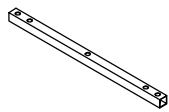
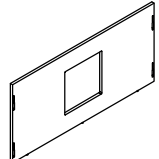
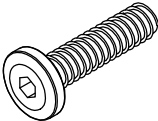
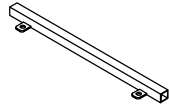
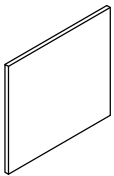
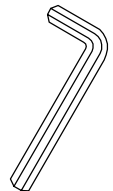
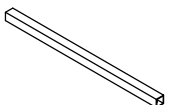


VS-0002 SCARSDALE VANITY SINK

	 <p>A X1 Wooden Crossbar</p>	 <p>G X1 Divider Panel</p>	 <p>5 X16 Allen Bolt 12mm</p>
	 <p>B X1 Left Side Panel</p>	 <p>H X1 Sink</p>	 <p>6 X2 Right Steel Metal Frame</p>
	 <p>C X1 Right Side Panel</p>	 <p>1 X16 Flat Head Screw</p>	 <p>7 X2 Left Steel Metal Frame</p>
	 <p>D X1 Bottom Panel</p>	 <p>2 X4 Door Hinge</p>	 <p>8 X2 Top Steel Metal</p>
	 <p>E X1 Back Panel</p>	 <p>3 X14 Allen Bolt 30mm</p>	 <p>9 X2 Center Steel Metal</p>
	 <p>F X2 Door Panel</p>	 <p>4 X1 Allen Wrench</p>	 <p>10 X2 Bottom Steel Metal</p>

TOOLS EXCLUDED: Phillips Screwdriver



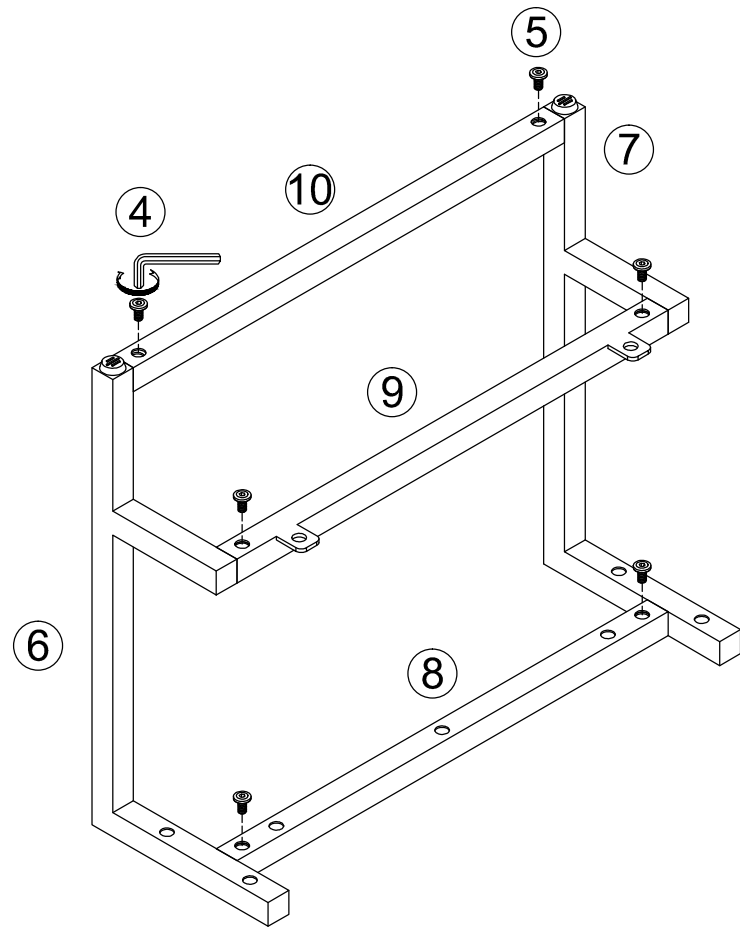
Caulking Gun



This gun customer need to prepare

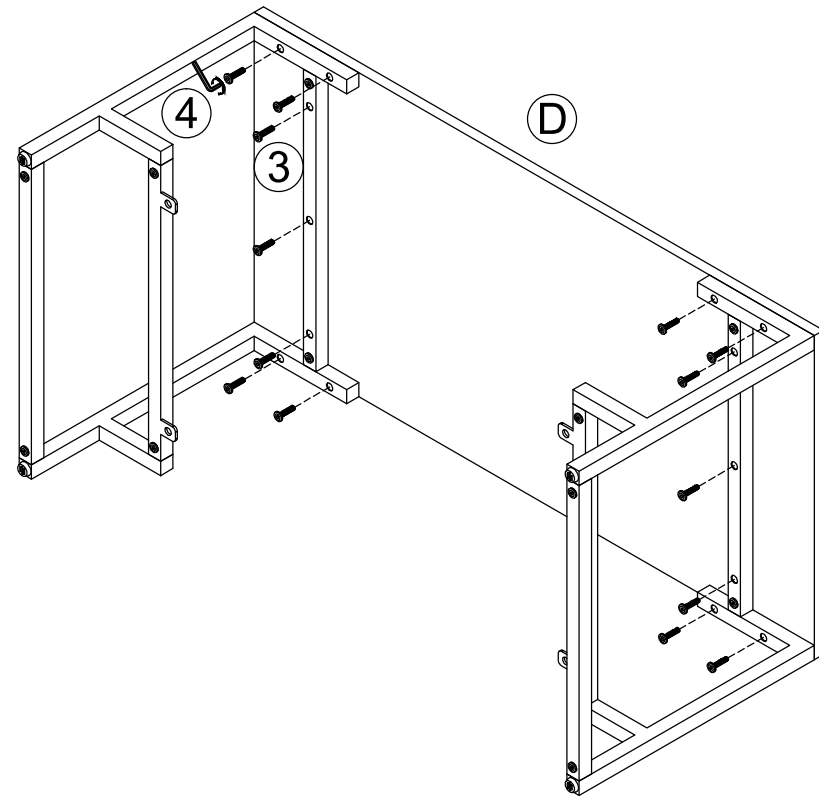


Step 1. Attach the steel metal bars (8,9,10) to the right steel metal frame (6) and the left steel metal frame (7) by using the Allen bolts 30mm (3) and the Allen wrench (4).

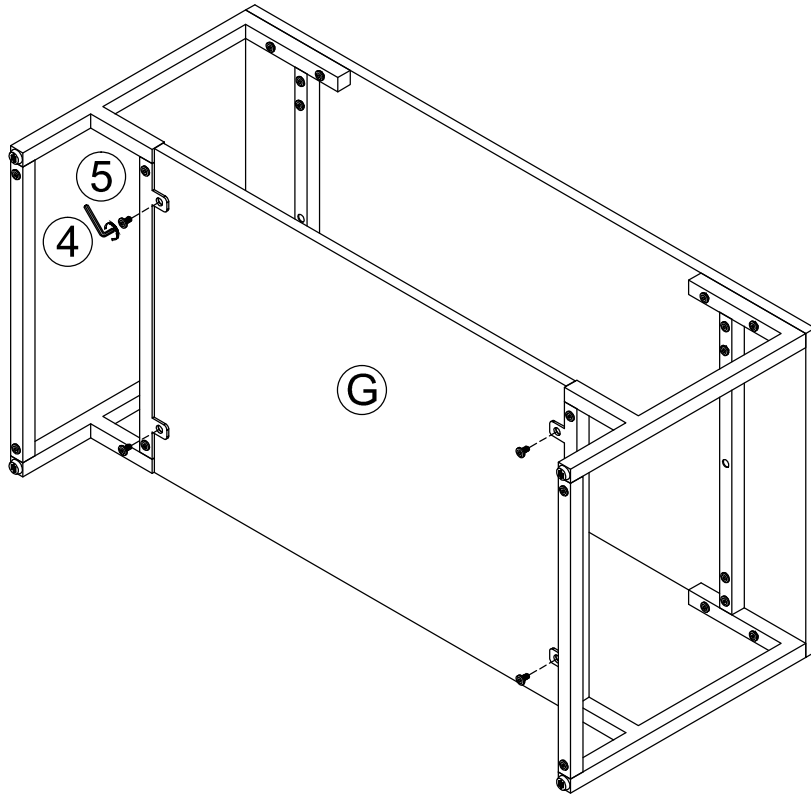


Step 2. Attach the bottom panel (D) to the mounting blocks by using the Allen bolts 30mm (3) and the Allen wrench (4).

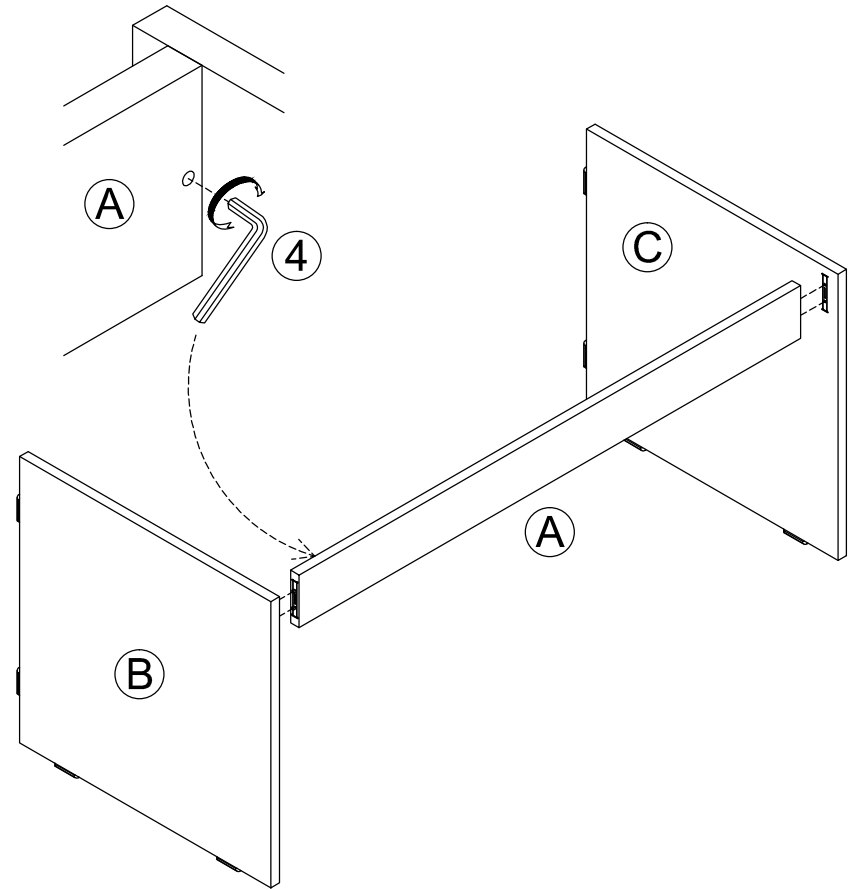
Note: make sure the mounting blocks are facing upward.



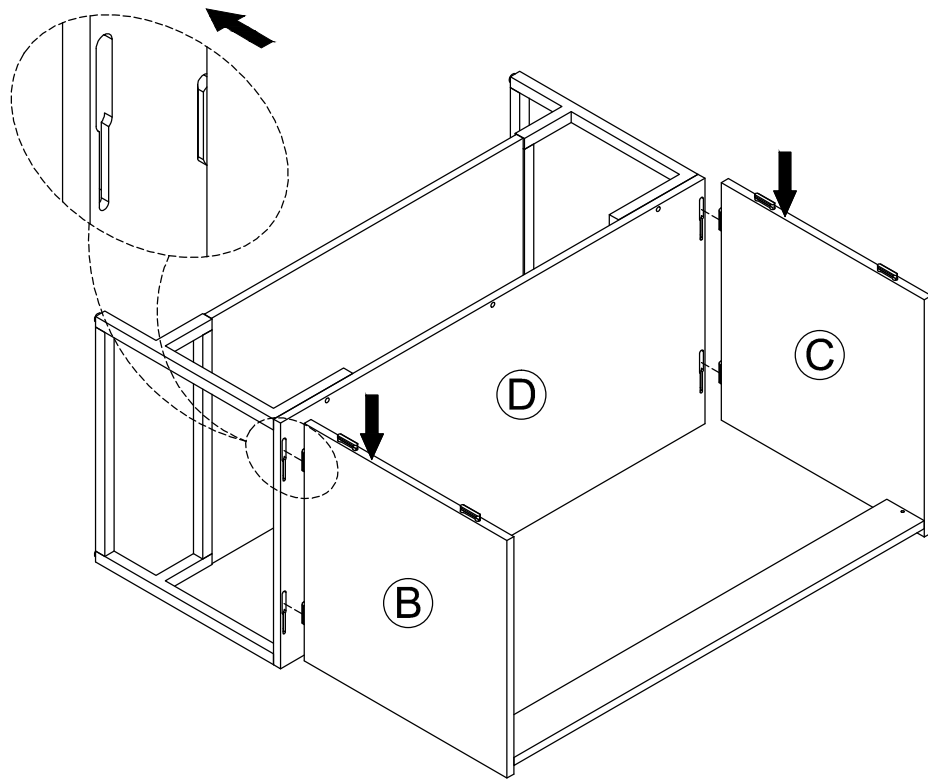
Step 3. Attach the divider panel (G) to the mounting blocks by using the Allen bolts 12mm (5) and the Allen wrench (4).



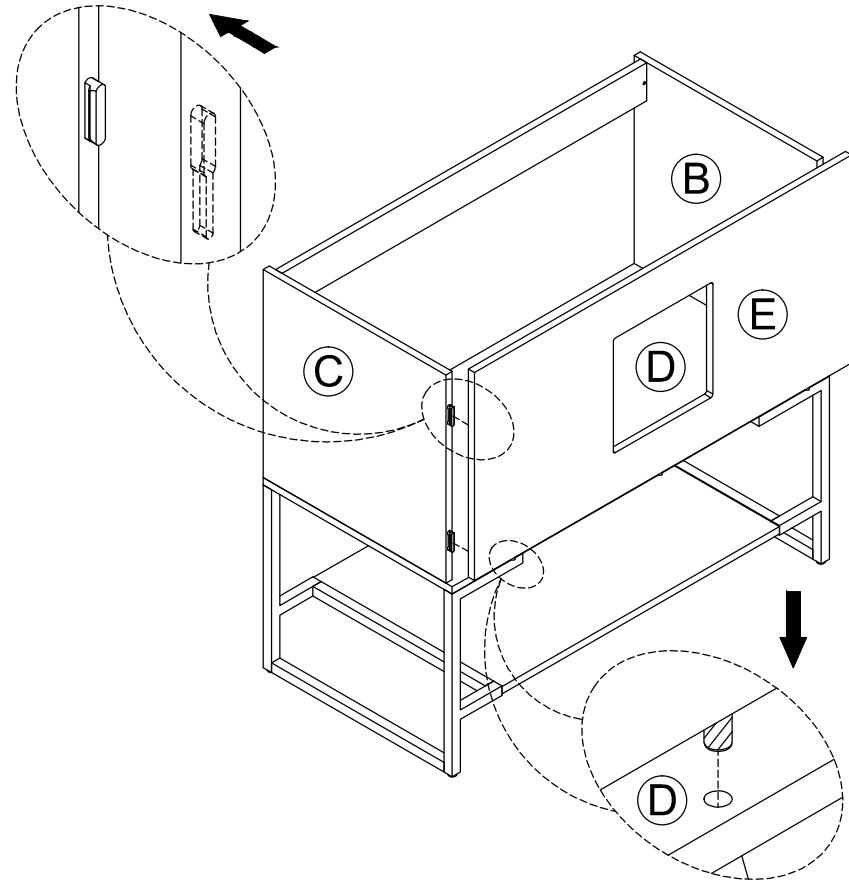
Step 4. Attach the wooden crossbar (A) to the side panels (B,C) by using the Allen wrench (4).



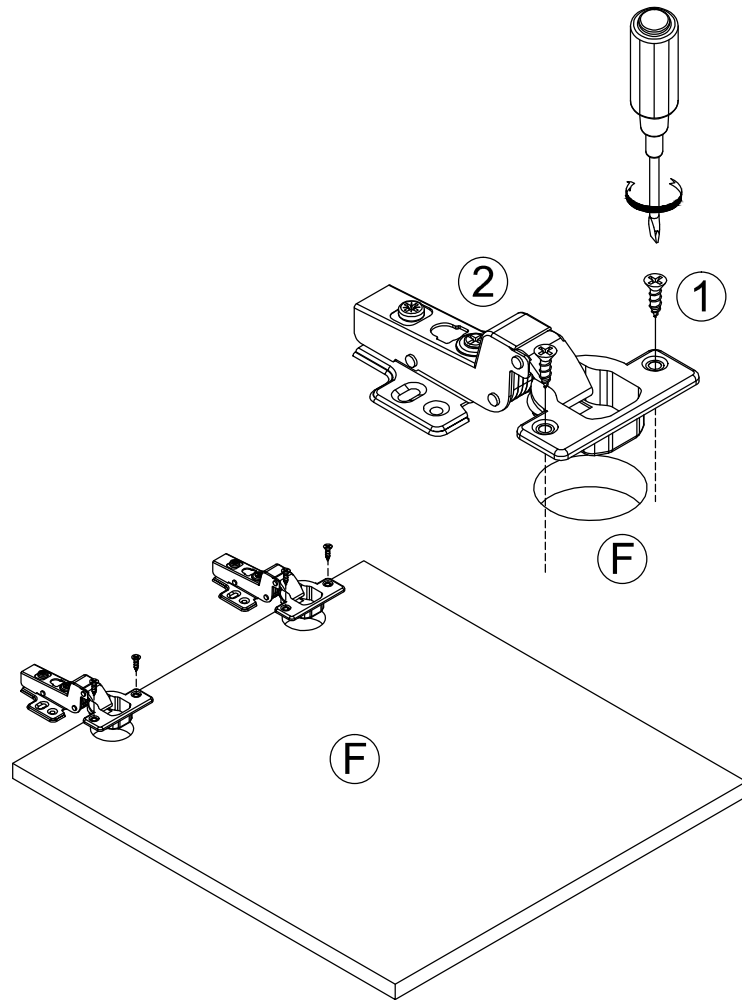
Step 5. Attach the side panels (B,C) to the bottom panel (D) by placing the plastic pieces into the slots and toward down.



Step 6. Attach the back panel (E) to the side panels (B,C) by placing the plastic pieces into the slots and toward down.

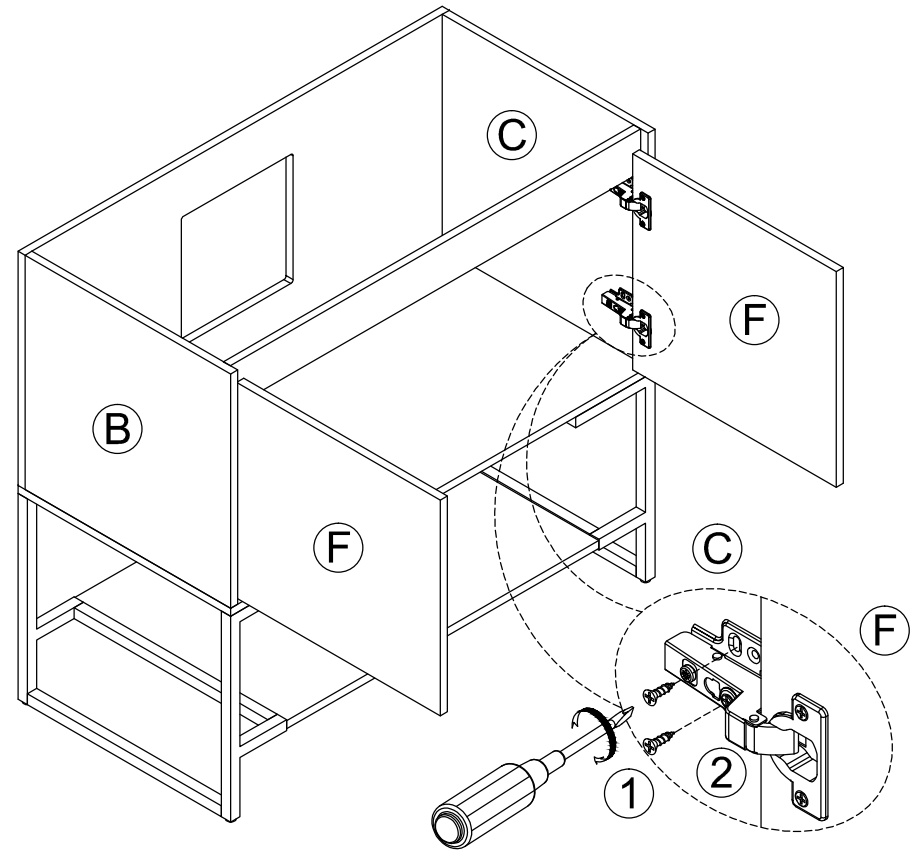


Step 7. Attach the door hinge (2) to the door panel (F) by using the flat head screw (1) and the Phillips screwdriver.



Step 8. Secure the door panel (F) to the side panels (B,C) by using the flat head screw (1) and the Phillips screwdriver.

Note: make sure the door hinges are facing inside.



Step 9. Secure the sink (H) to the mounting blocks by using the caulking gun.

Note: make sure the sink is securely mounted.

