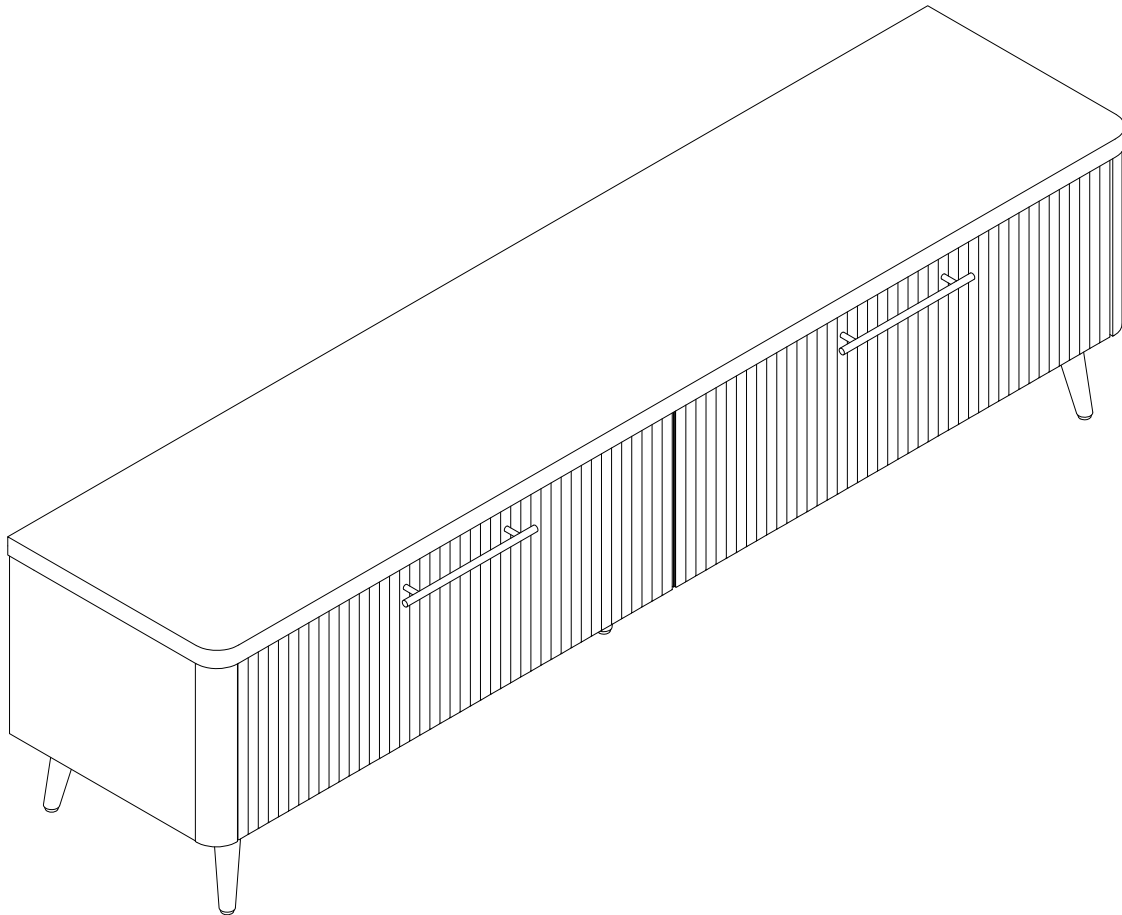




**MANHATTAN
COMFORT**

TV003



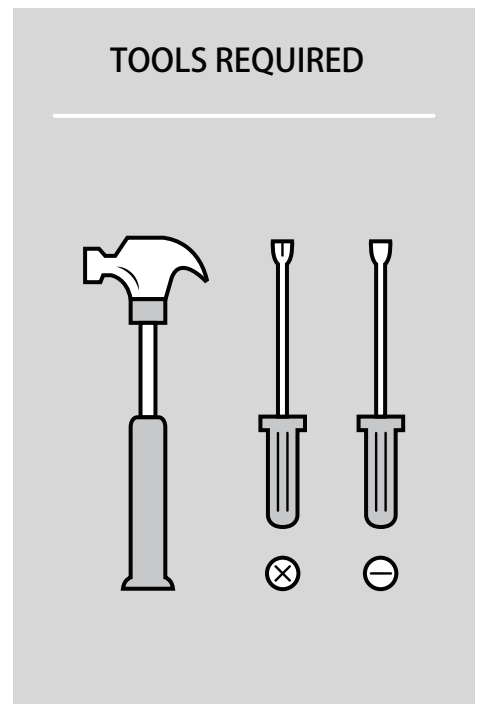
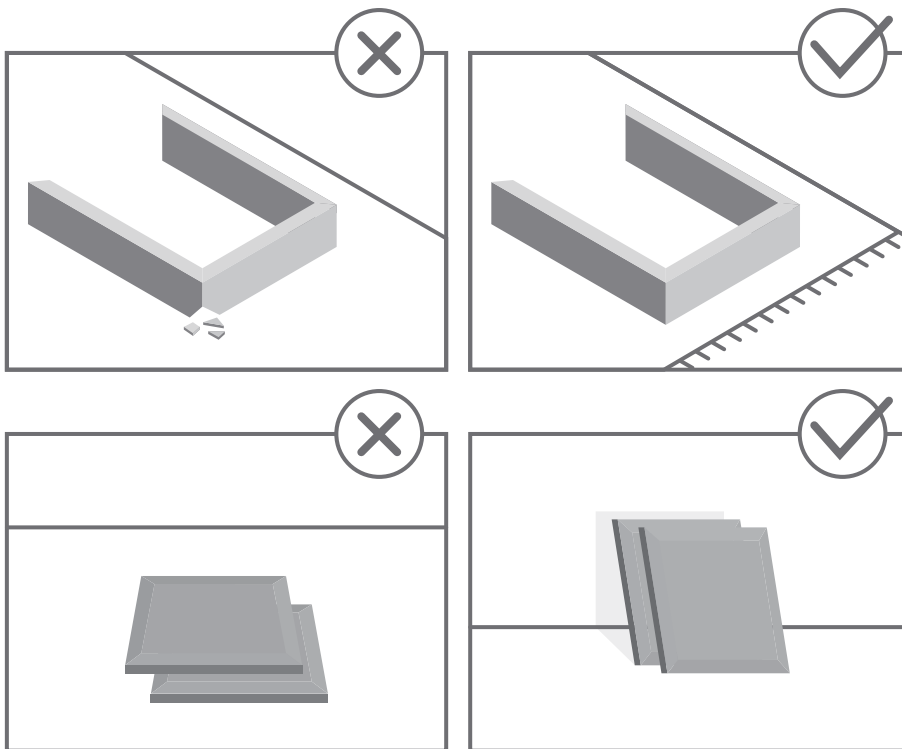


STOP!

Before beginning the assembly process, ensure all boxes and parts have been delivered.

FOR BEST RESULTS:

- Do not throw away packaging materials until assembly is complete.
- Assemble item on a soft surface, such as cardboard or carpet, to protect finish.
- Proper assembly requires two people.



View our assembly video online:
WWW.MANHATTANCOMFORT.COM



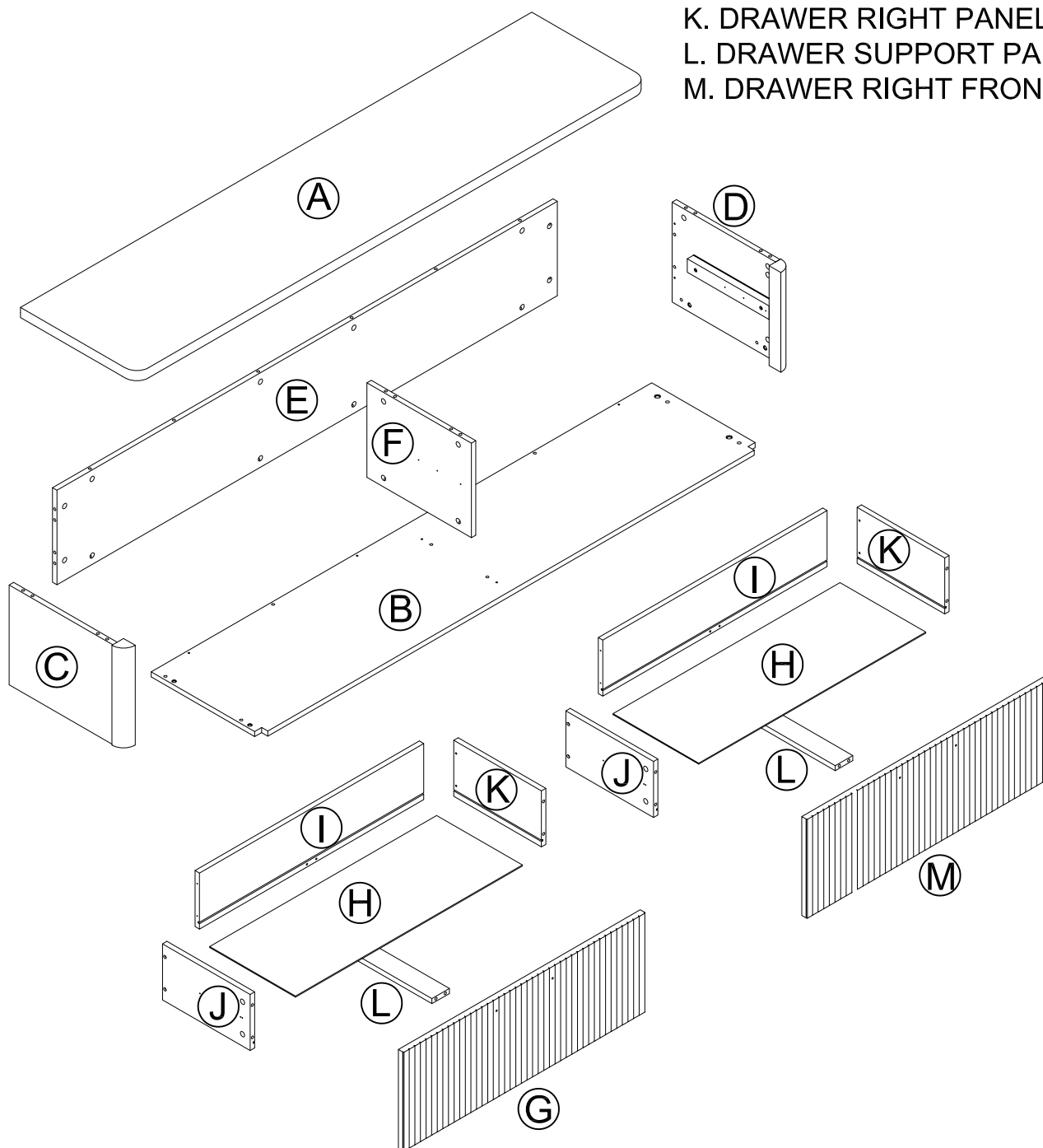
Stuck? Question? We are here to help.
tel: 908-888-0818
e-mail: help@manhattancomfort.com

Support Site



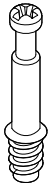
Included in this package:

- A. TOP (1)
- B. BOTTOM (1)
- C. LEFT PANEL (1)
- D. RIGHT PANEL (1)
- E. BACK PANEL (1)
- F. MEDIAN PANEL (1)
- G. DRAWER LEFT FRONT PANEL (1)
- H. DRAWER BOTTOM PANEL (2)
- I. DRAWER BACK PANEL (2)
- J. DRAWER LEFT PANEL (2)
- K. DRAWER RIGHT PANEL (2)
- L. DRAWER SUPPORT PANEL (2)
- M. DRAWER RIGHT FRONT PANEL (1)

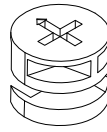


Hardware Identification

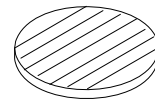
① KD BOLT - 30pcs
L=25mm



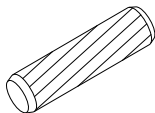
② KD CAM - 30pcs
Ø15*11mm



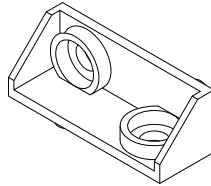
③ COVER CAP - 34pcs



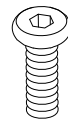
④ WOOD DOWEL - 18pcs
Ø8*30mm



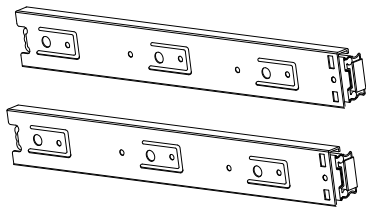
⑤ FITTING - 4pcs



⑥ BOLT - 28pcs
M6*12mm



⑦ SLIDE - 2pcs
8"*35mm



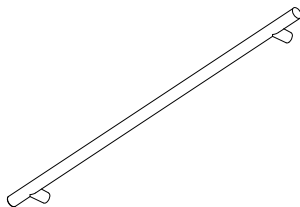
⑧ SCREW - 24pcs
Ø3.5*12mm



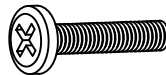
⑨ SCREW - 12pcs
Ø4*30mm



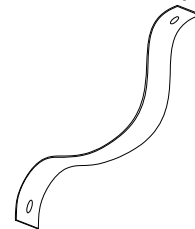
⑩ DOOR FULL - 2pcs



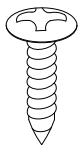
⑪ BOLT - 4pcs
5/32"*25mm



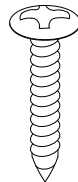
⑫ STRAPS - 2pcs



⑬ SCREW - 2pcs
Ø4*18mm



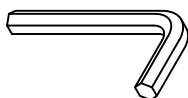
⑭ SCREW - 2pcs
Ø4*25mm



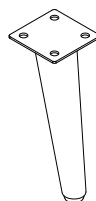
⑮ PLASTIC - 2pcs



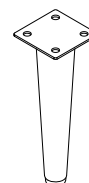
⑯ LOCK - 1pc

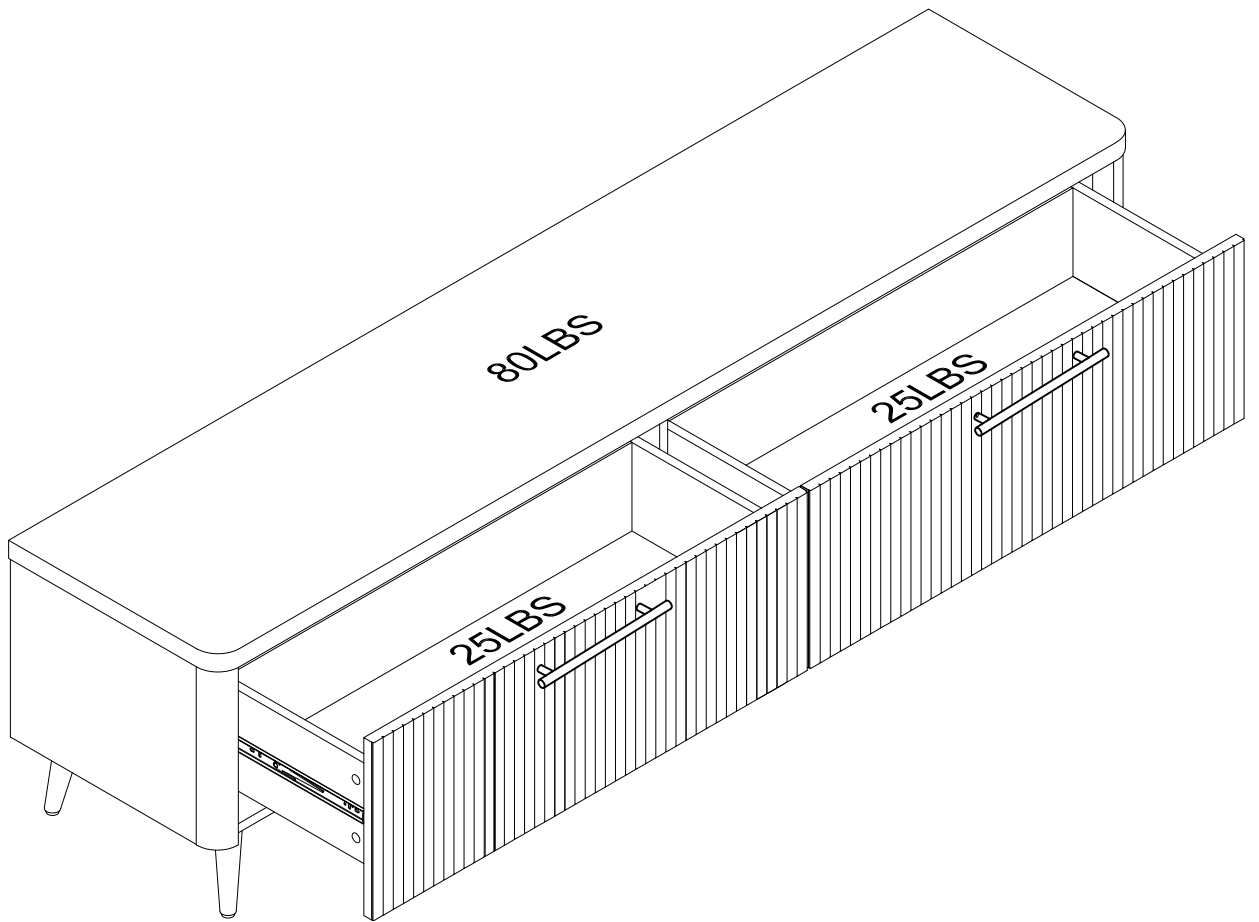


⑰ LEGS - 4pcs

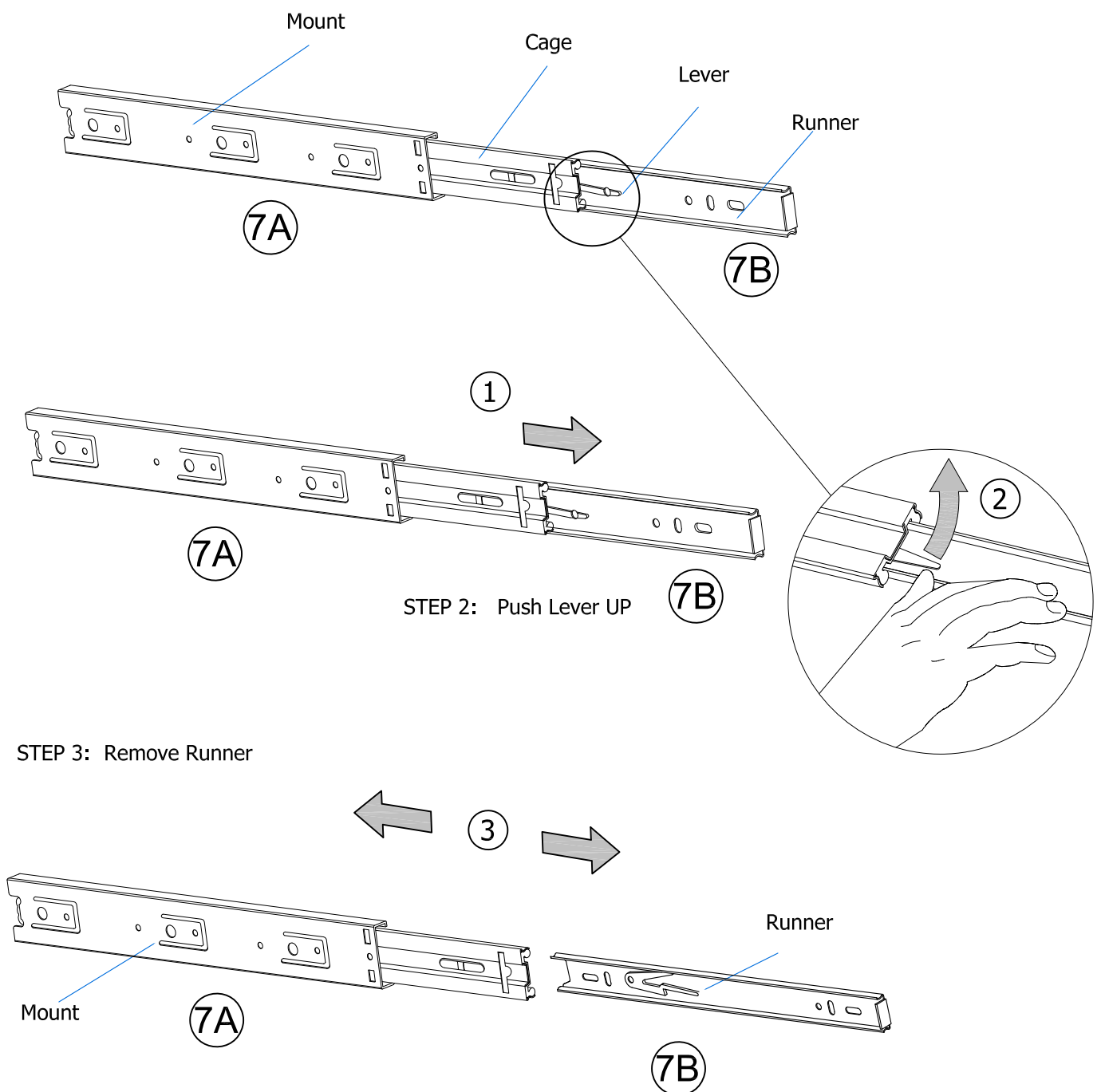


⑱ MEDIAN LEG - 1pc



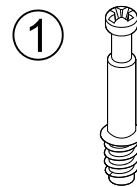


Slides Must Be Separated Before Assembly.
After Separated, Set Aside Until Needed for Assembly.

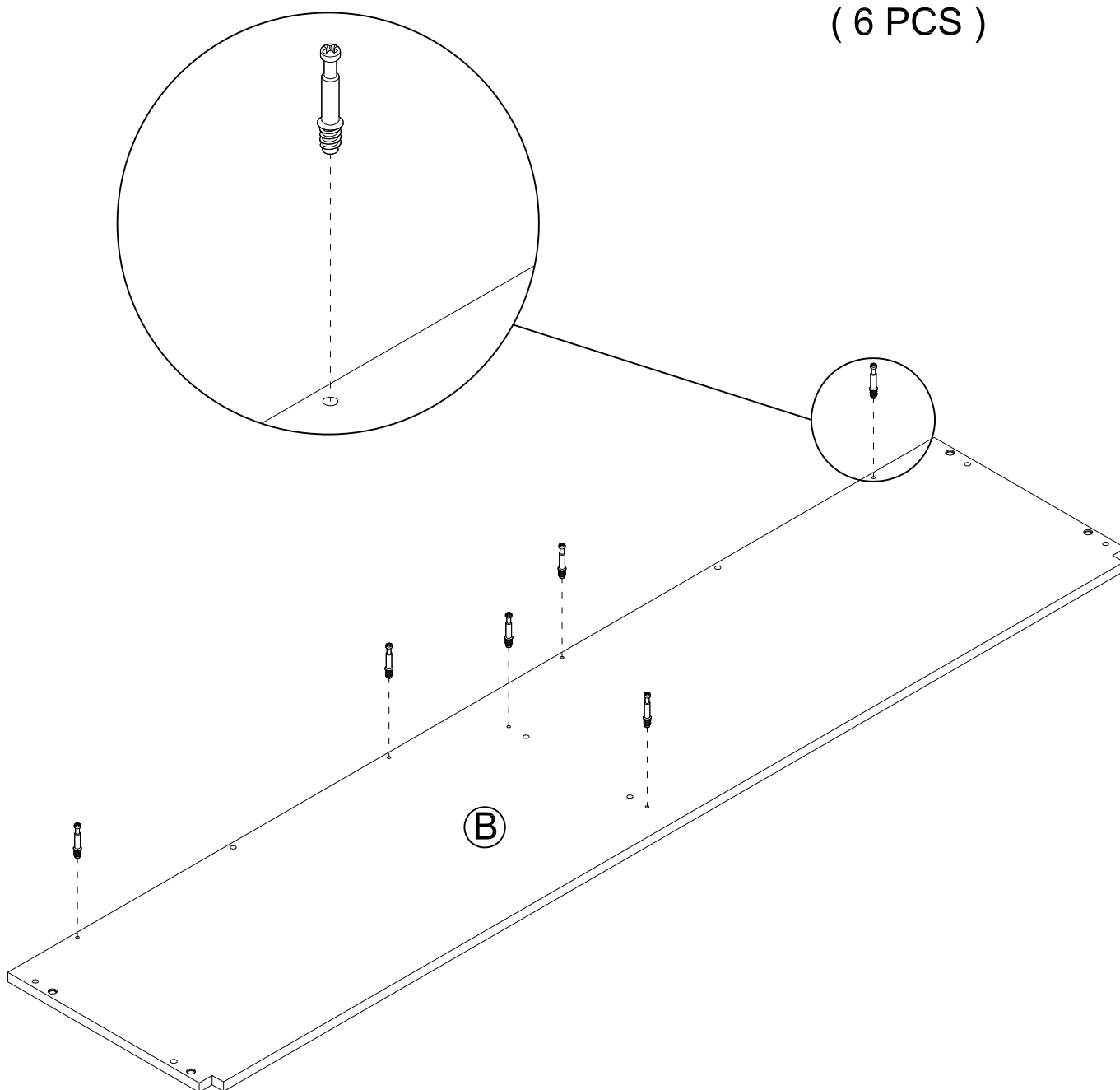


Step 1:

* Insert Six KD BOLT (1) to the BOTTOM (B),

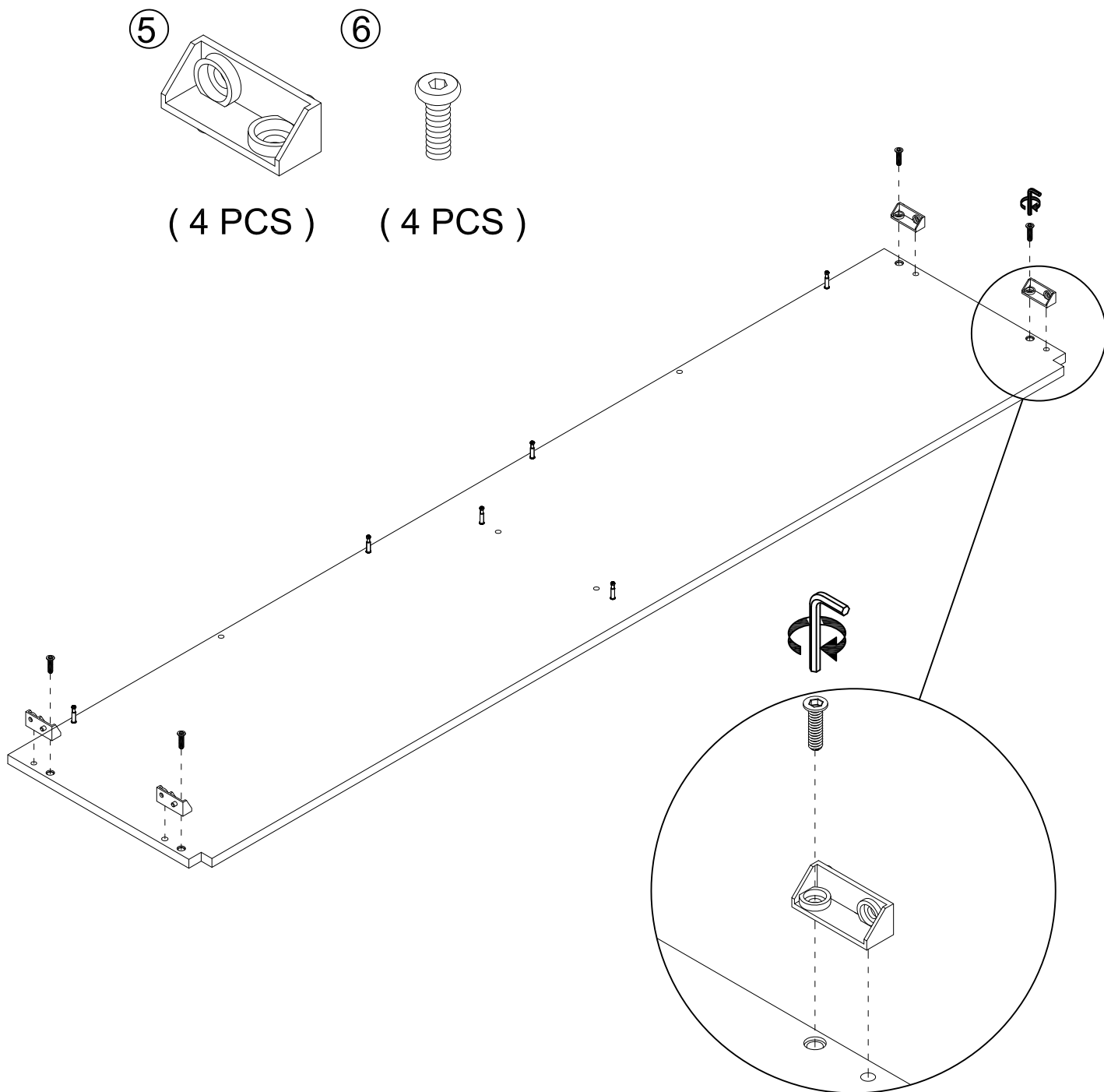


(6 PCS)



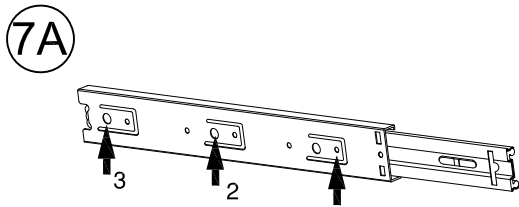
Step 2:

* Attach Four CONNECTORS (5) to the BOTTOM (B) by the Four BOLT (6).

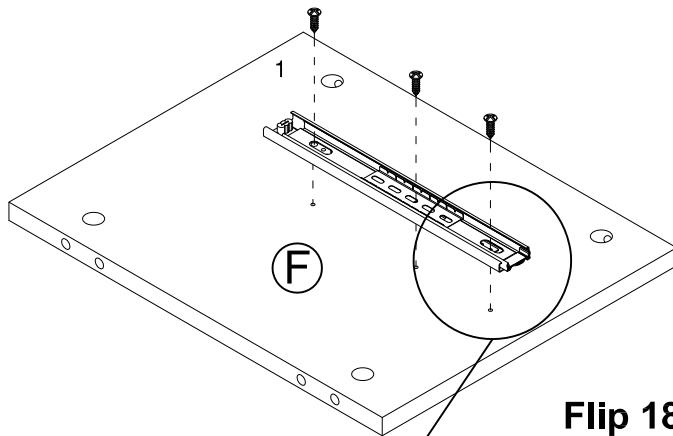
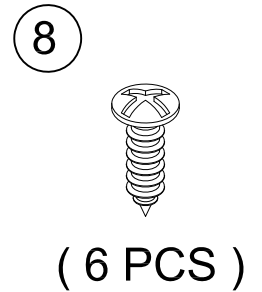
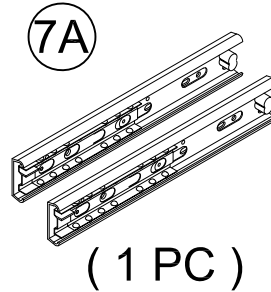


Step 3:

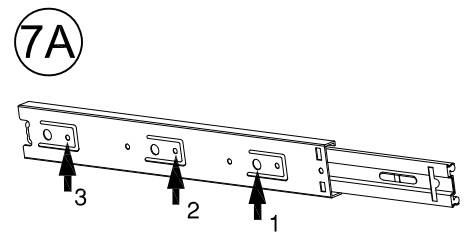
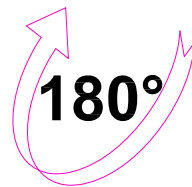
* Attach the DRAWER SLIDE BRACKET (7A) to the MEDIAN PANEL (F).



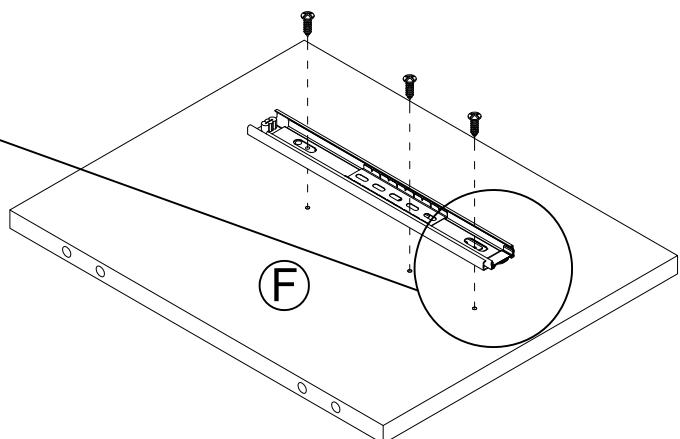
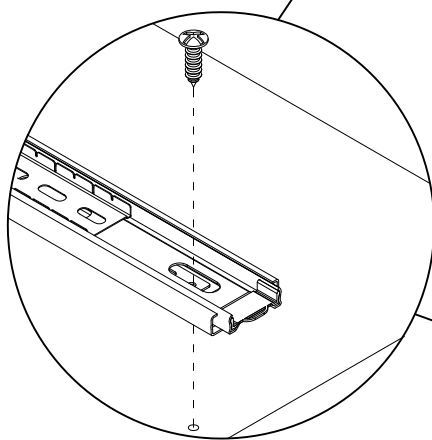
Make sure to insert screws in the correct opening.



Flip 180°, beware of the mounting openings.

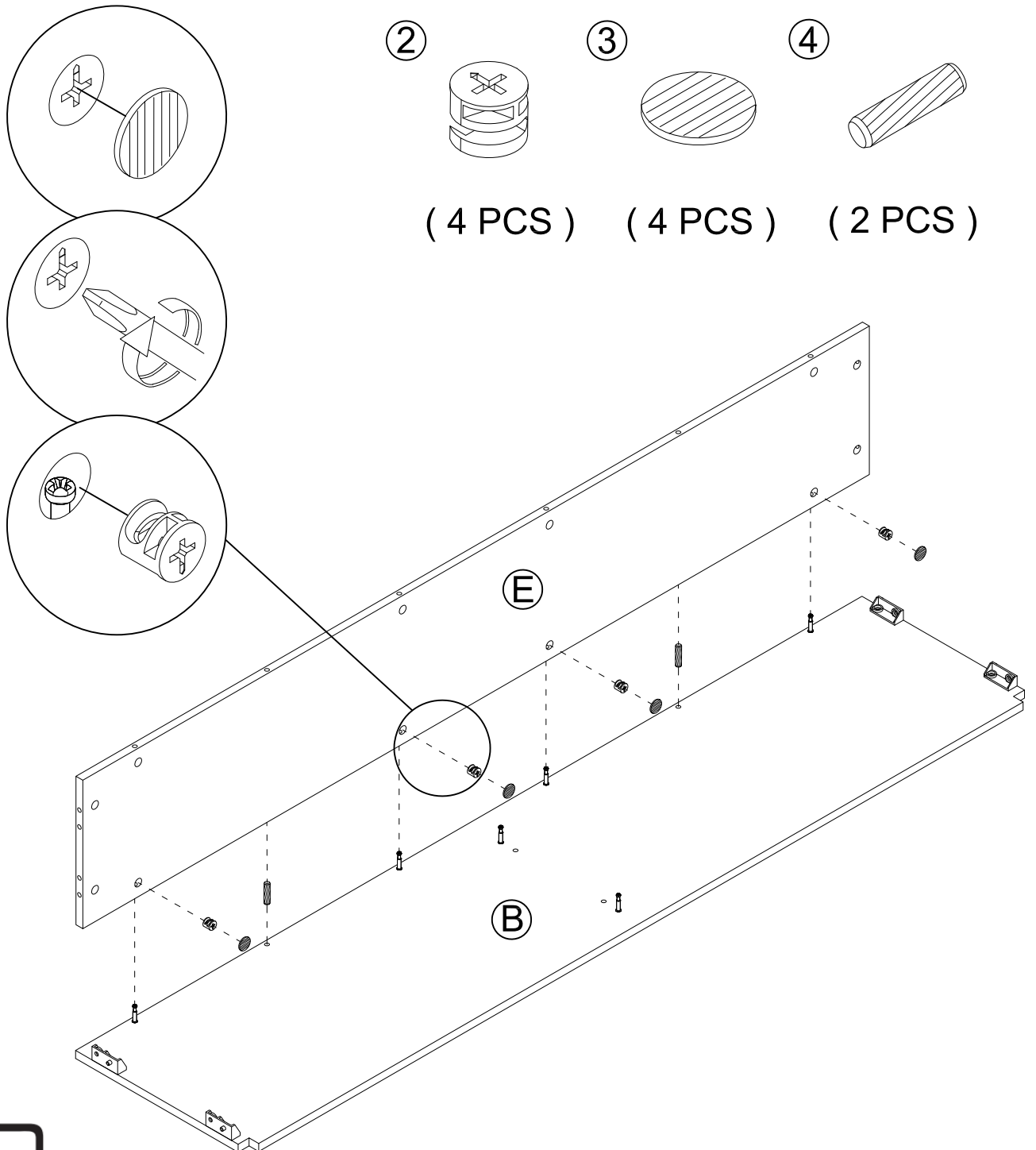


Make sure to insert screws in the correct opening.



Step 4:

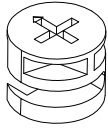
* Attach the BACK PANEL (E) to the BOTTOM (B) by the Four KD CAM (2) ,
Four COVER CAP (3) ,and Two WOOD DOWEL (4) .



Step 5:

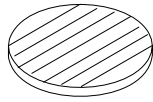
* Attach the MEDIAN PANEL (F) to the BOTTOM (B) by the Two KD CAM (2) ,
Two COVER CAP (3) ,and Two WOOD DOWEL (4) .

②



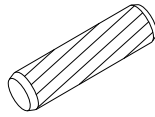
(2 PCS)

③

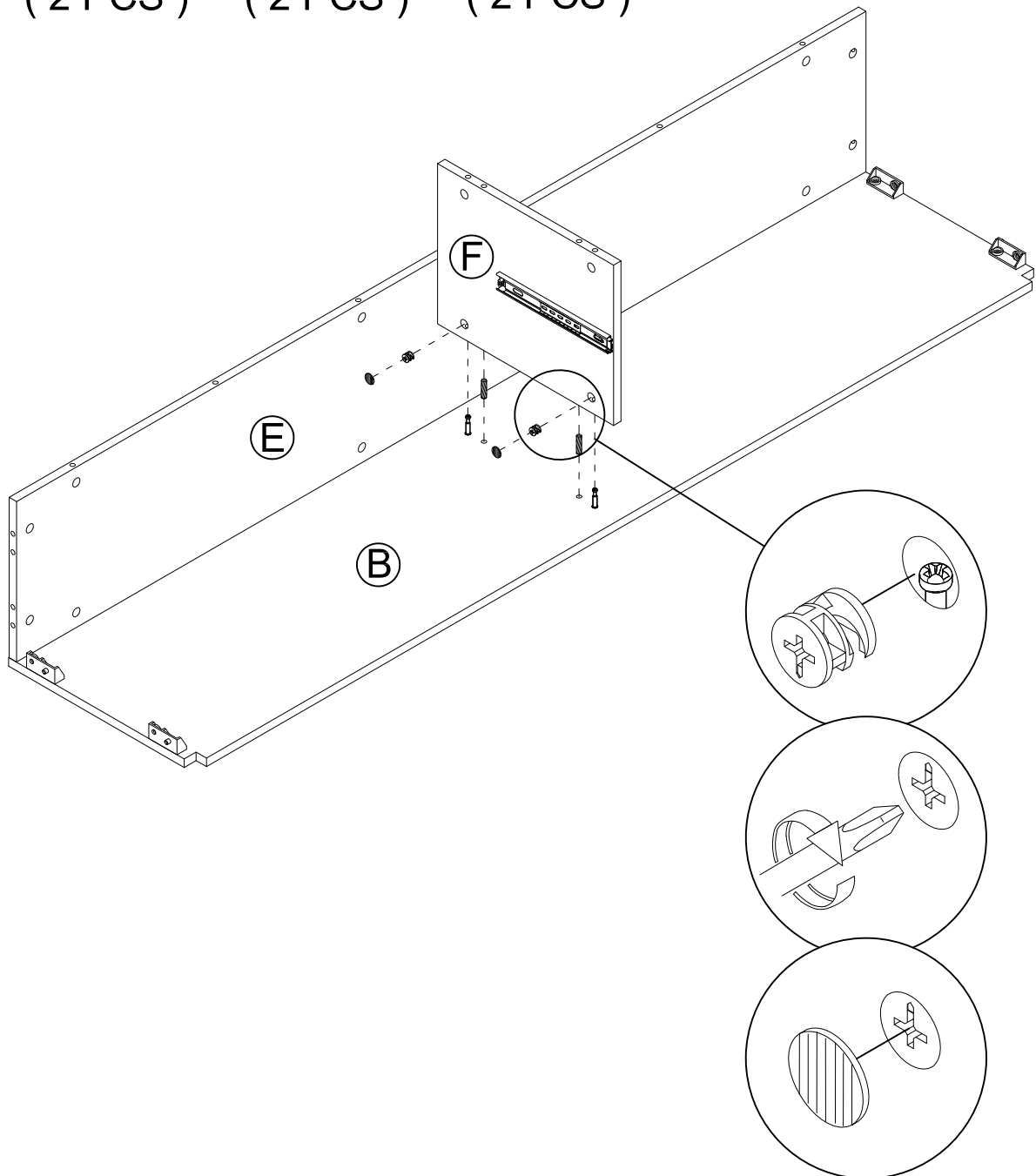


(2 PCS)

④

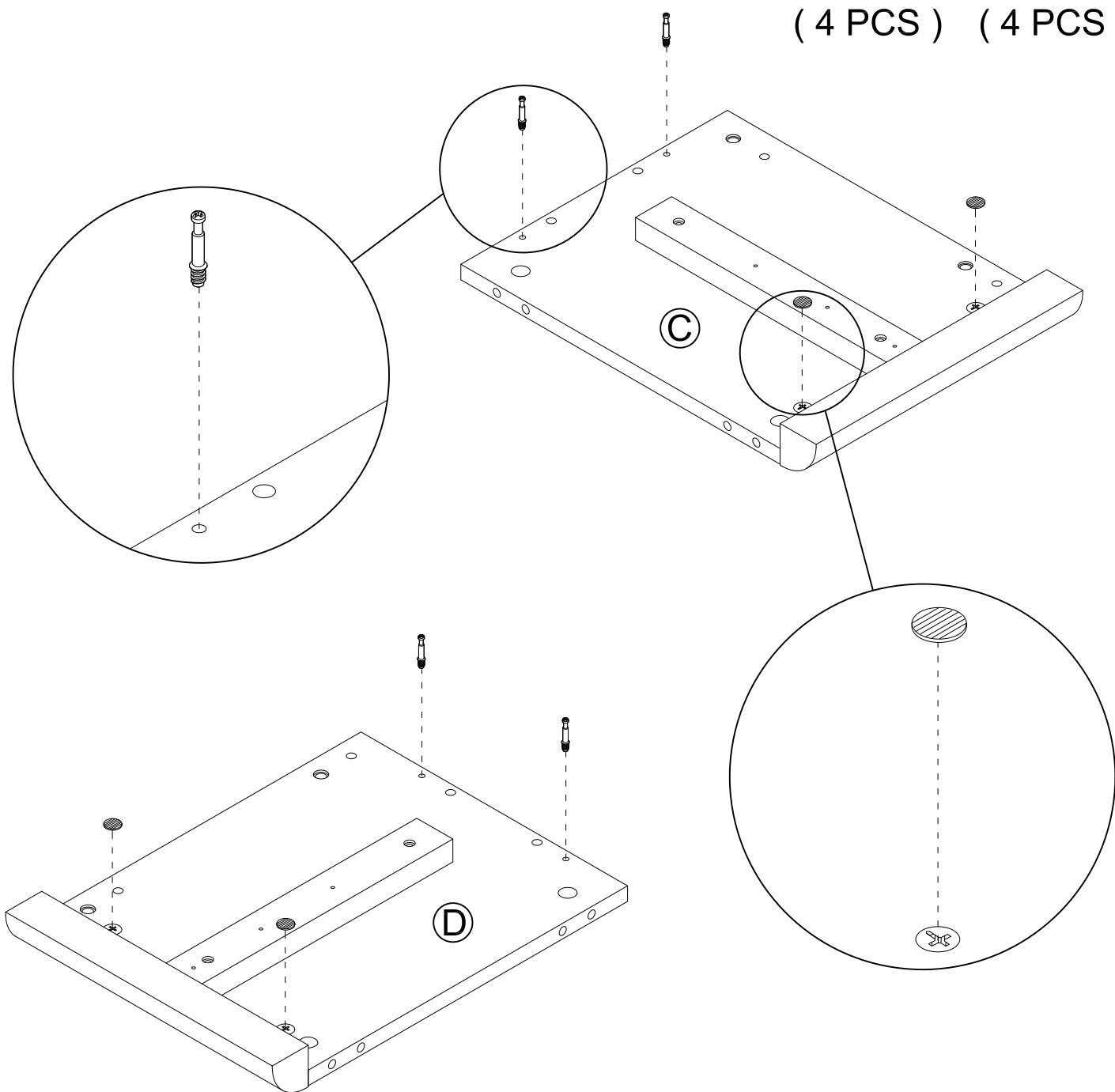
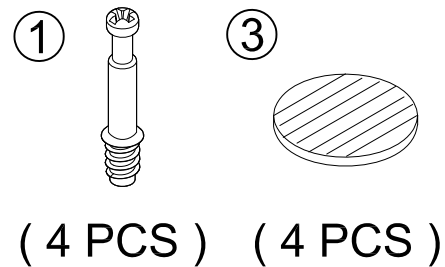


(2 PCS)



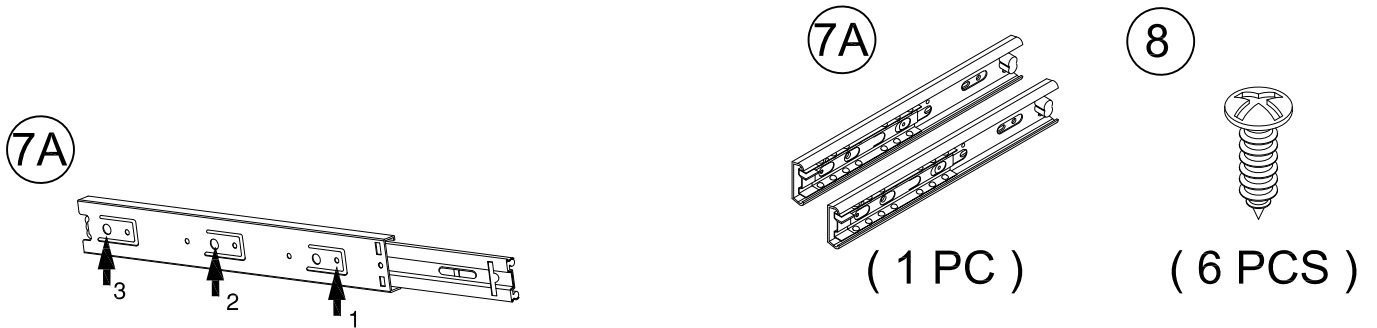
Step 6:

* Insert Four KD BOLT (1) and Four COVER CAP (3) to the LEFT PANEL (C) and RIGHT PANEL (D) .

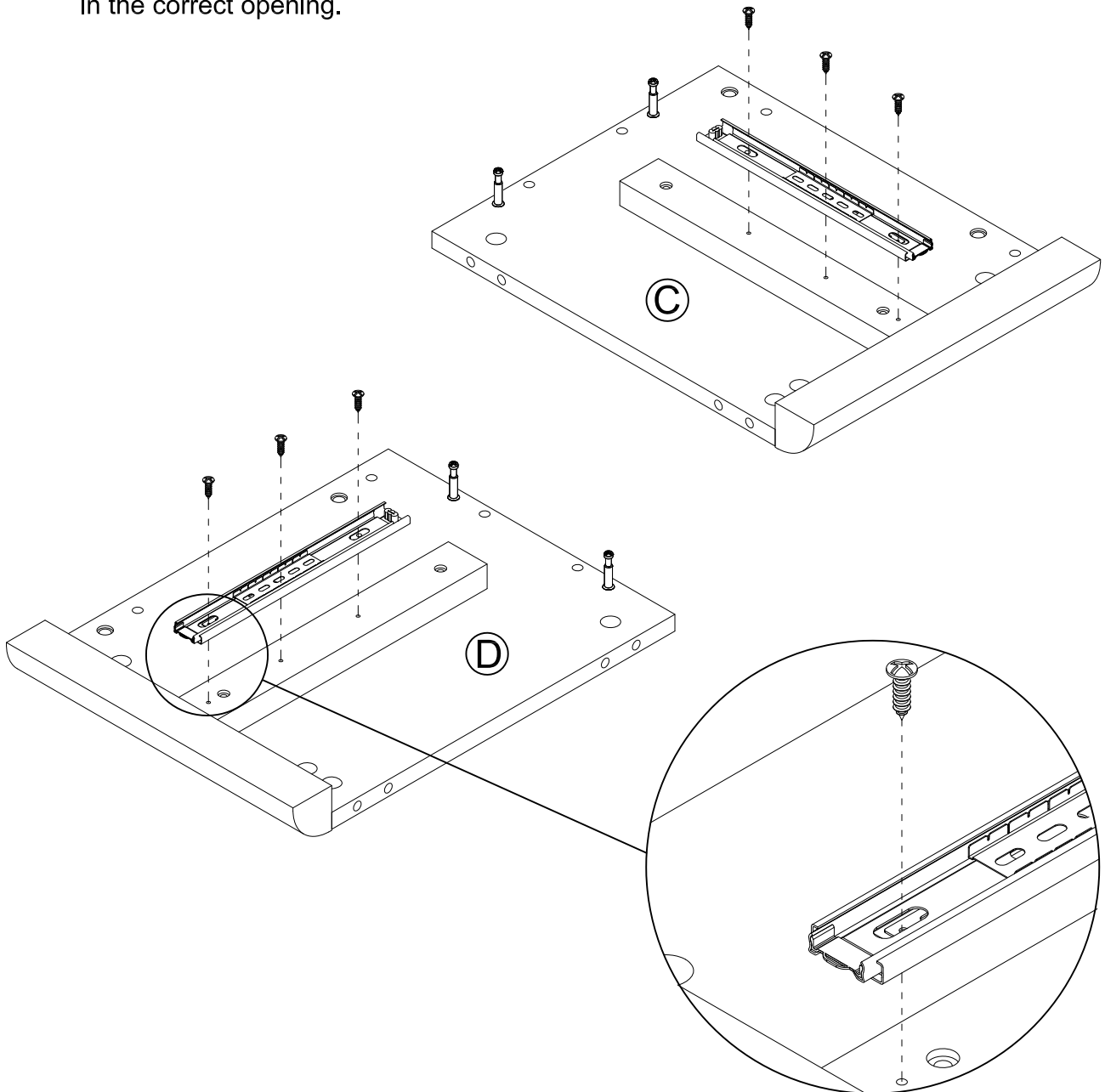


Step 7:

* Attach the DRAWER SLIDE BRACKET (7A) to the LEFT PANEL (C) and RIGHT PANEL (D) .

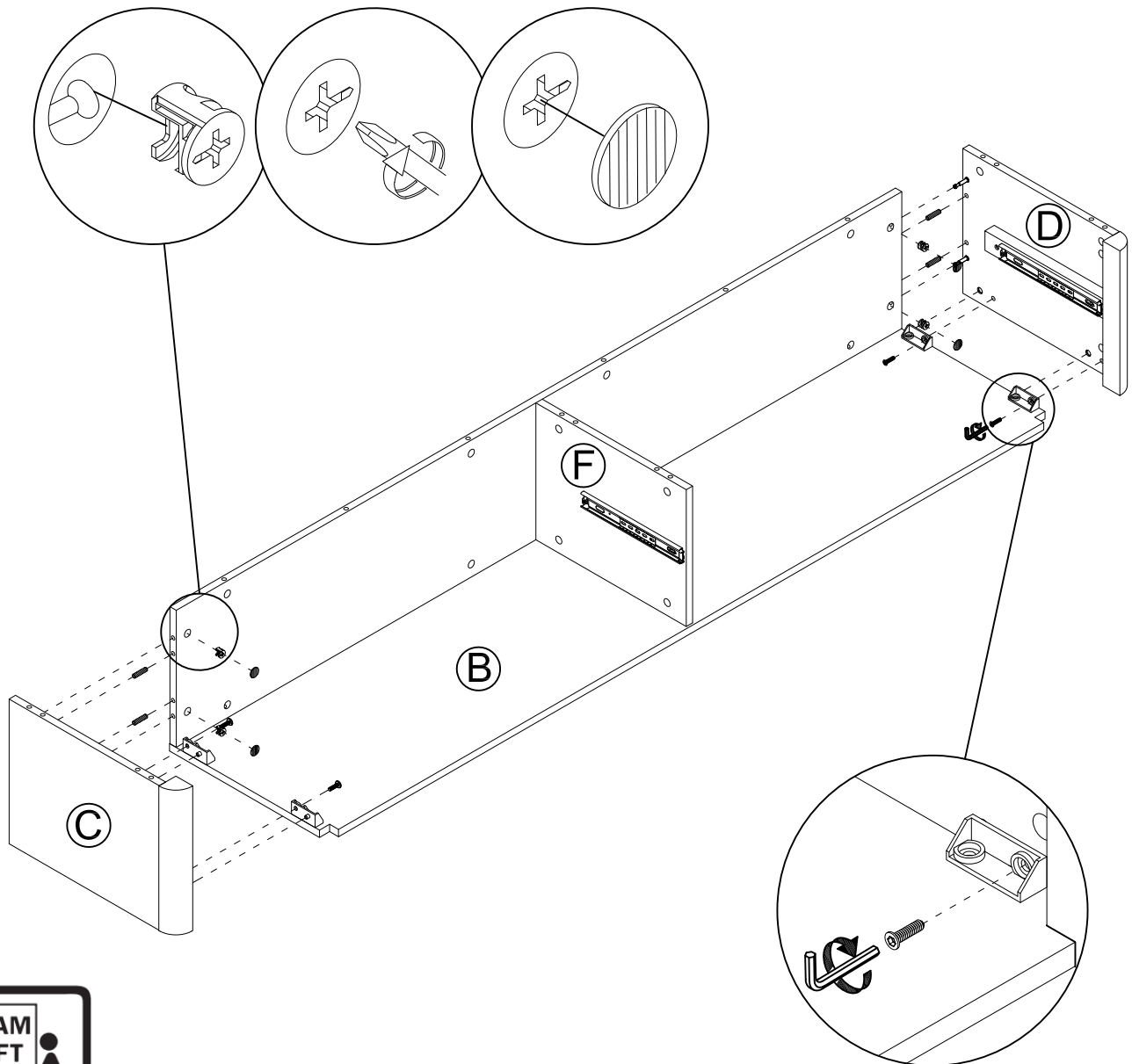
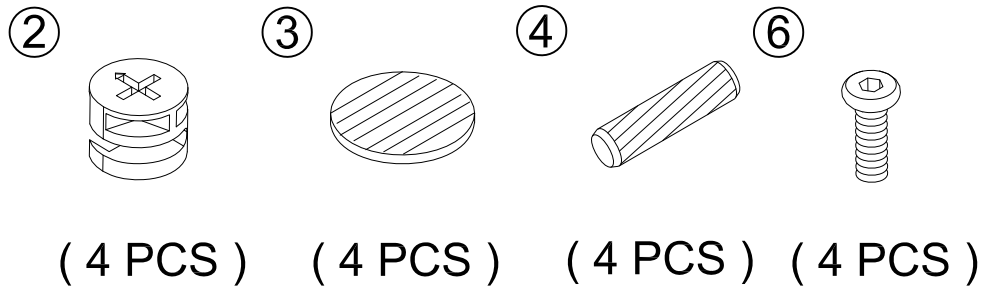


Make sure to insert screws in the correct opening.



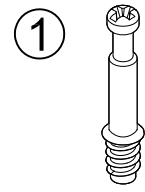
Step 8:

* Attach the LEFT PANEL (C) and RIGHT PANEL (D) to the ASSEMBLY by the Four KD CAM (2) , Four COVER CAP (3) , Four WOOD DOWEL (4) and Four BOLT (6).

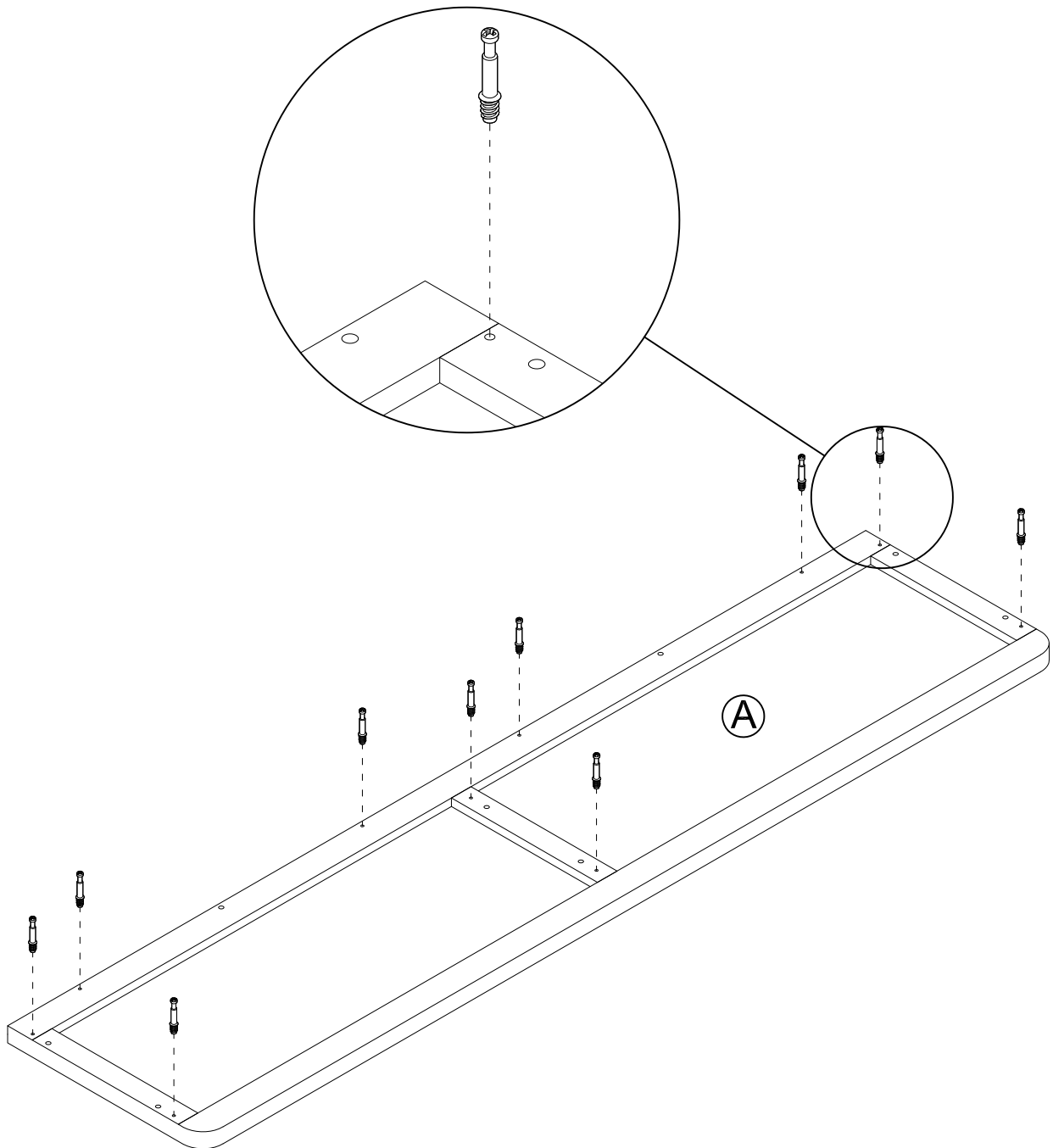


Step 9:

* Insert Ten KD BOLT (1) to the TOP (A),



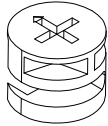
(10 PCS)



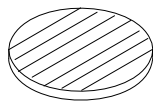
Step 10:

* Attach the TOP (A) to the ASSEMBLY by the Ten KD CAM (2) , Ten COVER CAP (3), and Eight WOOD DOWEL (4).

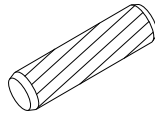
②



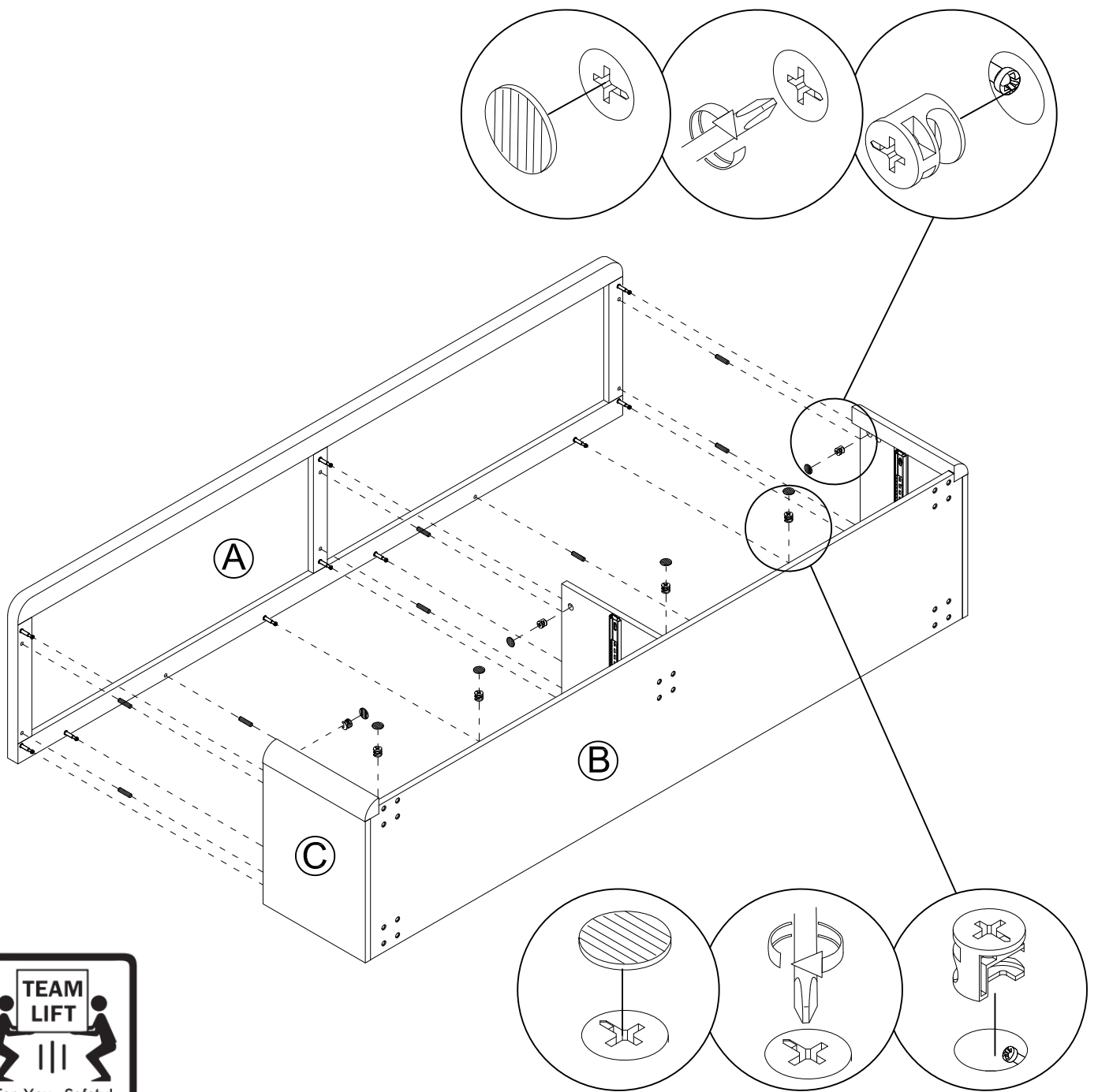
③



④

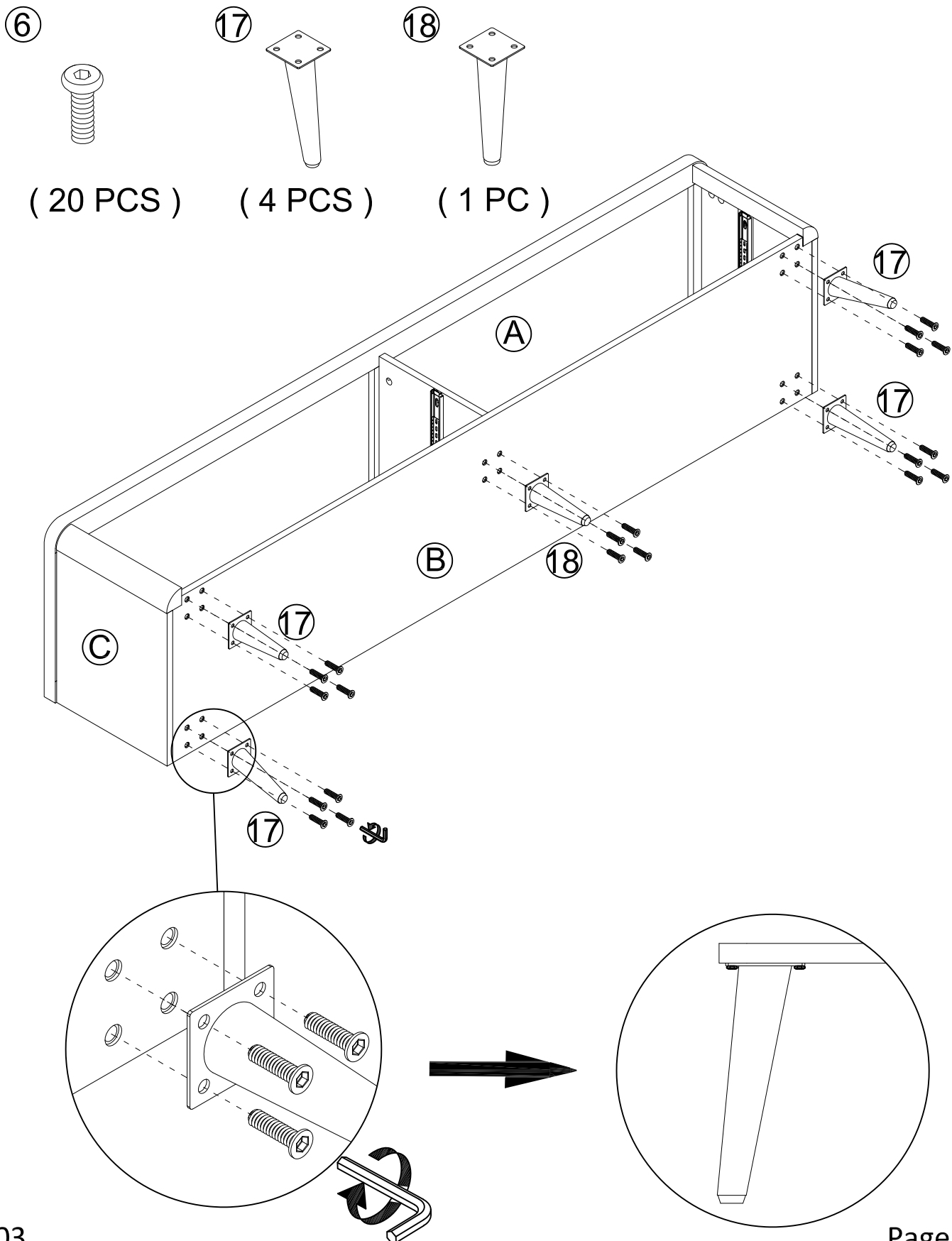


(10 PCS) (10 PCS) (8 PCS)



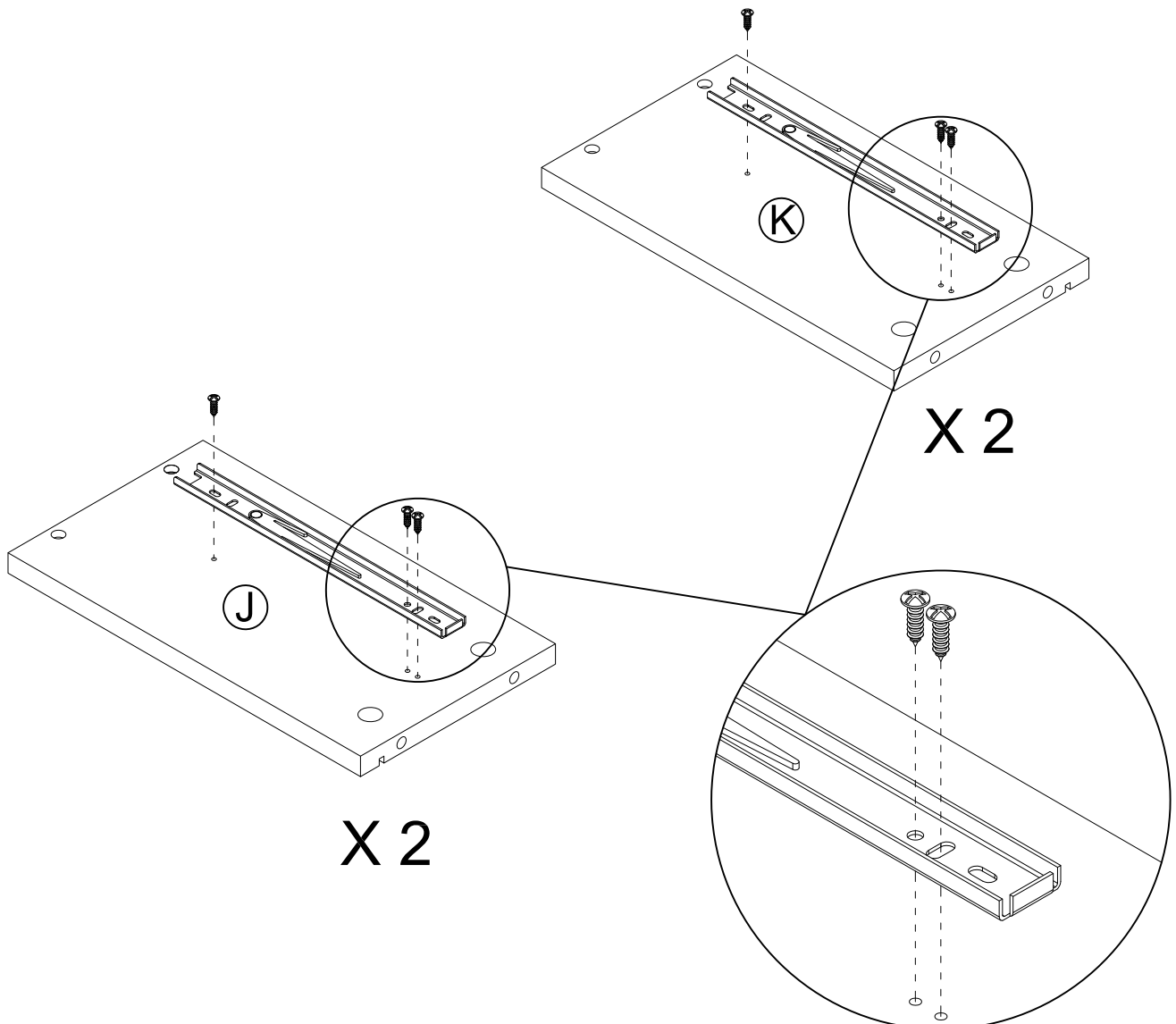
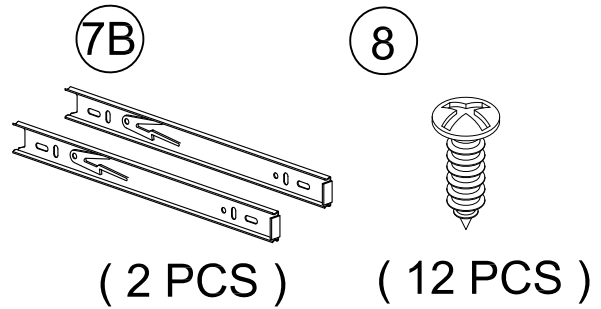
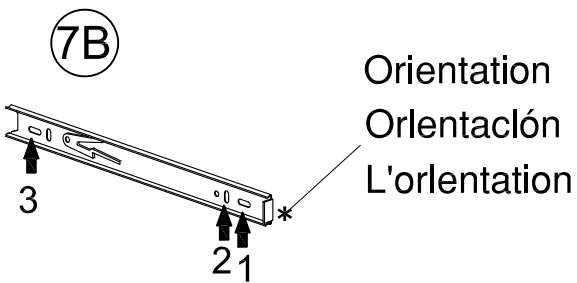
Step 11:

* Attach the Four LEGS (17) and One MEDIAN LEG (18) to the ASSEMBLY by the Twenty BOLT (6) .



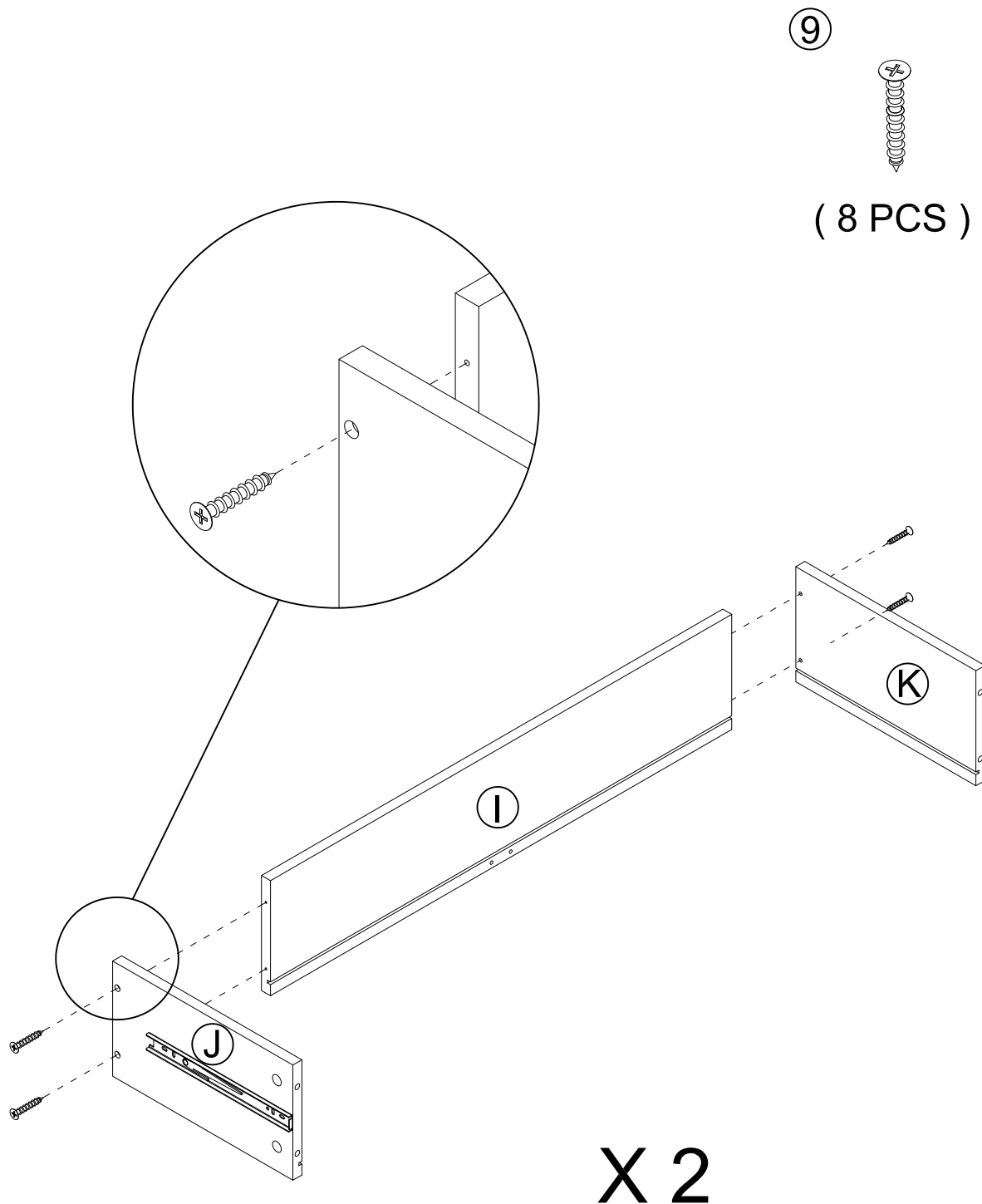
Step 12:

* Attach the DRAWER SLIDE (7B) to the Two DRAWER LEFT PANEL (J) and Two DRAWER RIGHT PANEL (K).



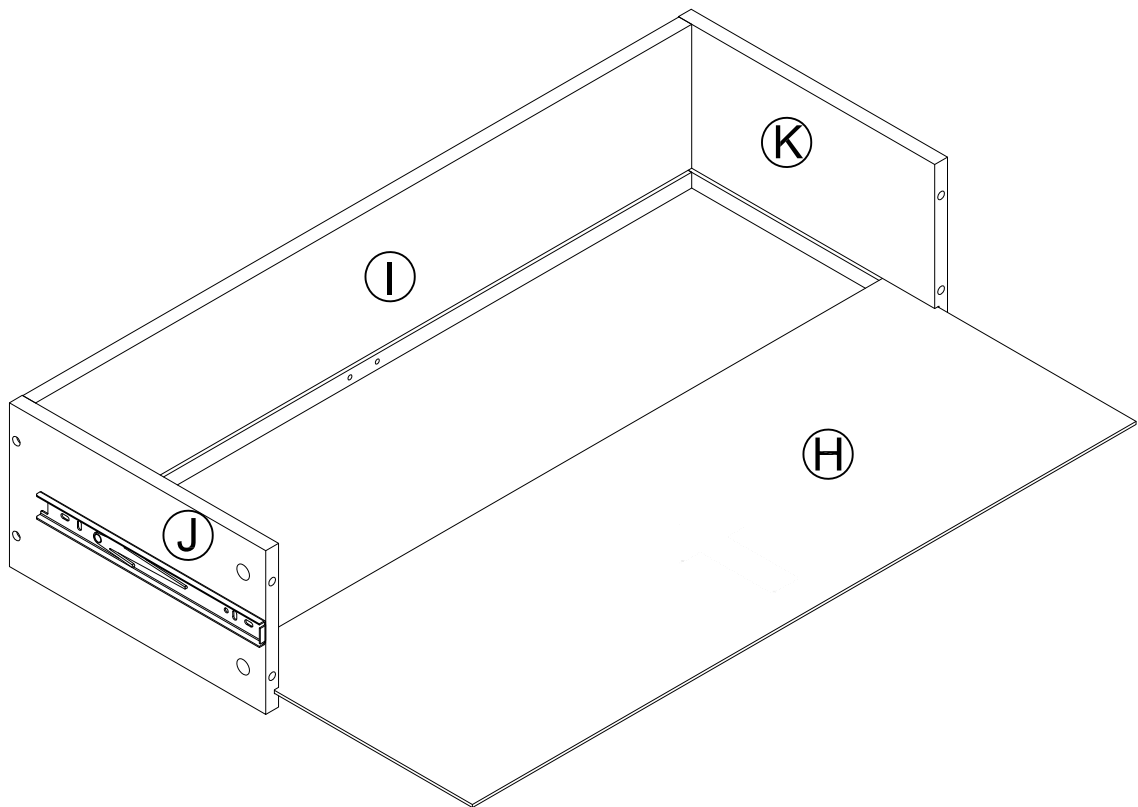
Step 13:

* Assemble the DRAWER BACK PANEL to the DRAWER LEFT PANEL (J) and DRAWER RIGHT PANEL (K) by the SCREW (9) .



Step 14:

- * Slide in the DRAWER BOTTOM PANEL (H).



X 2

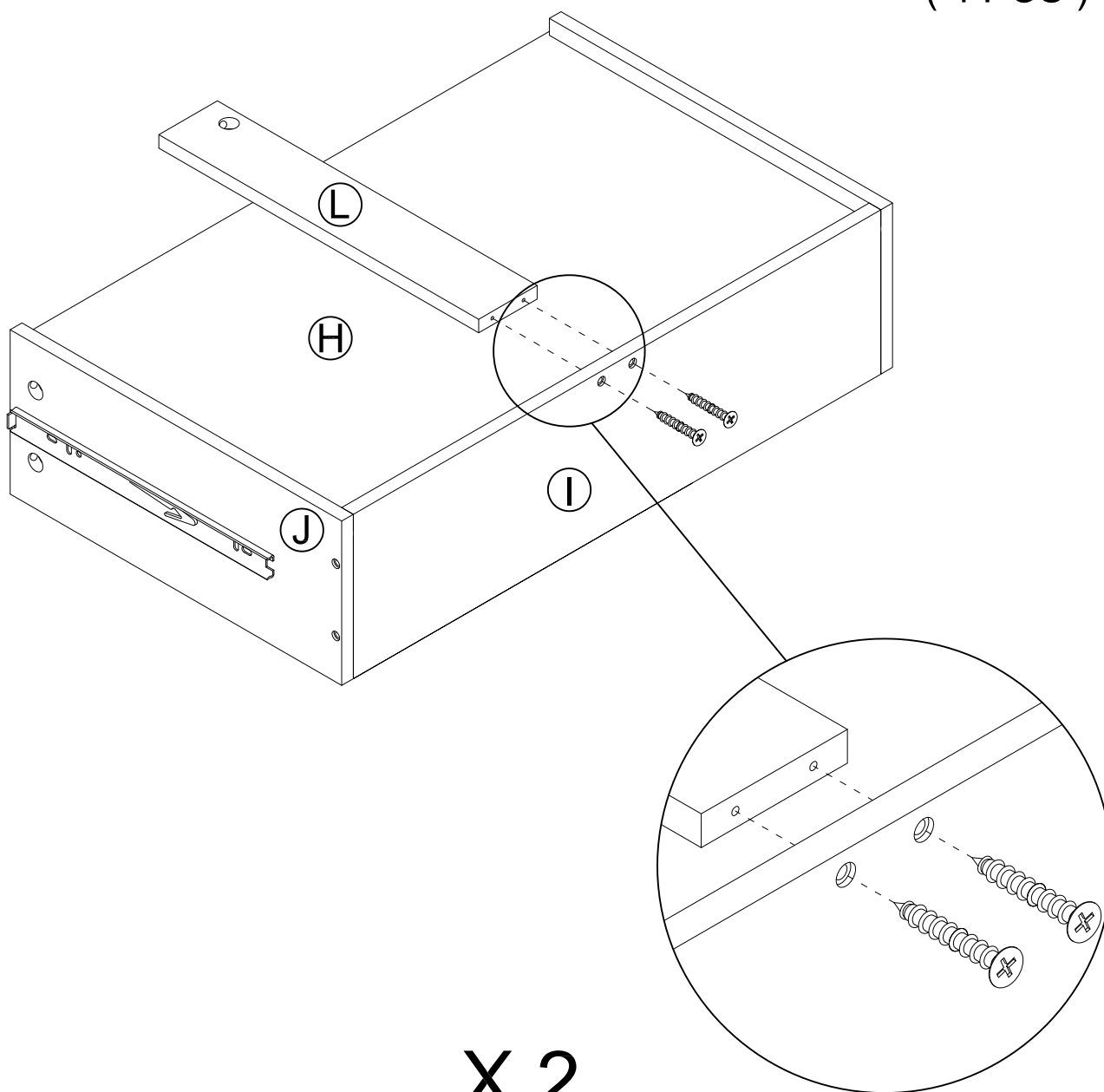
Step 15:

* Assemble the DRAWER SUPPORT PANEL (L) to the DRAWER TRAY by the SCREW (9) .

⑨

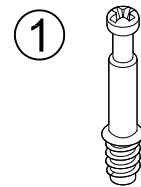


(4 PCS)

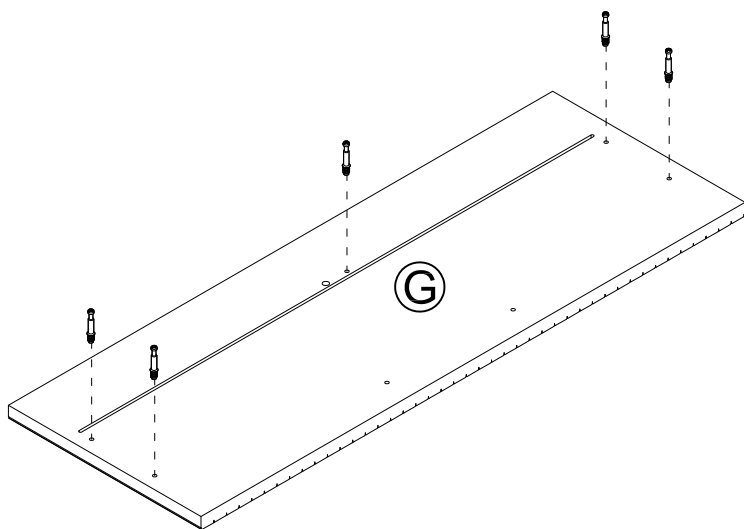
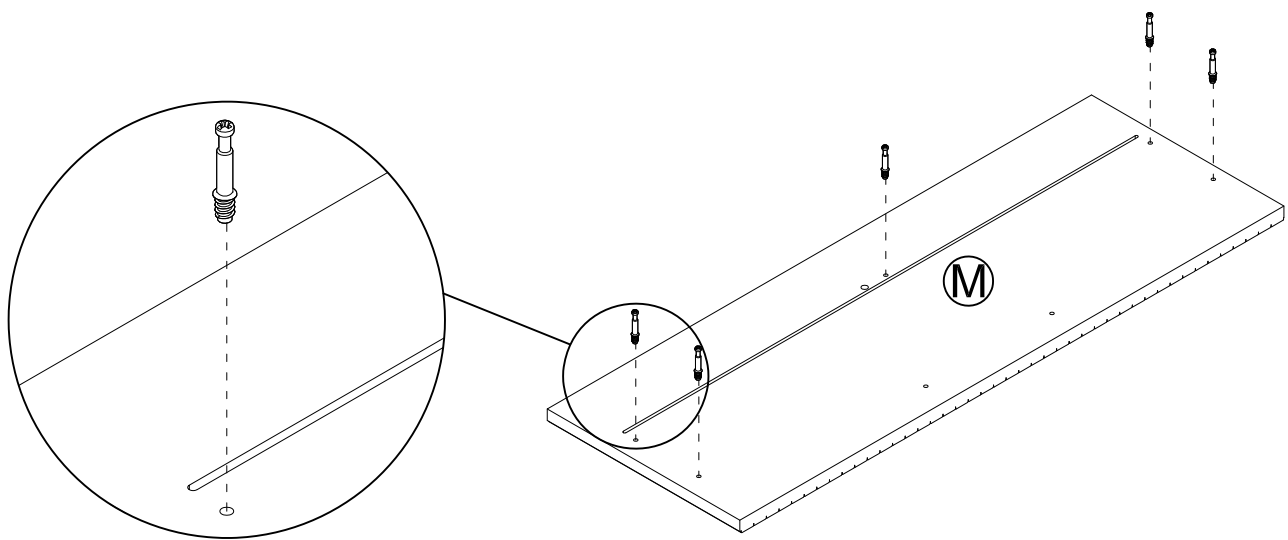


Step 16:

* Insert Ten KD BOLT (1) to the DRAWER LEFT FRONT PANEL (G) and DRAWER RIGHT FRONT PANEL (M).

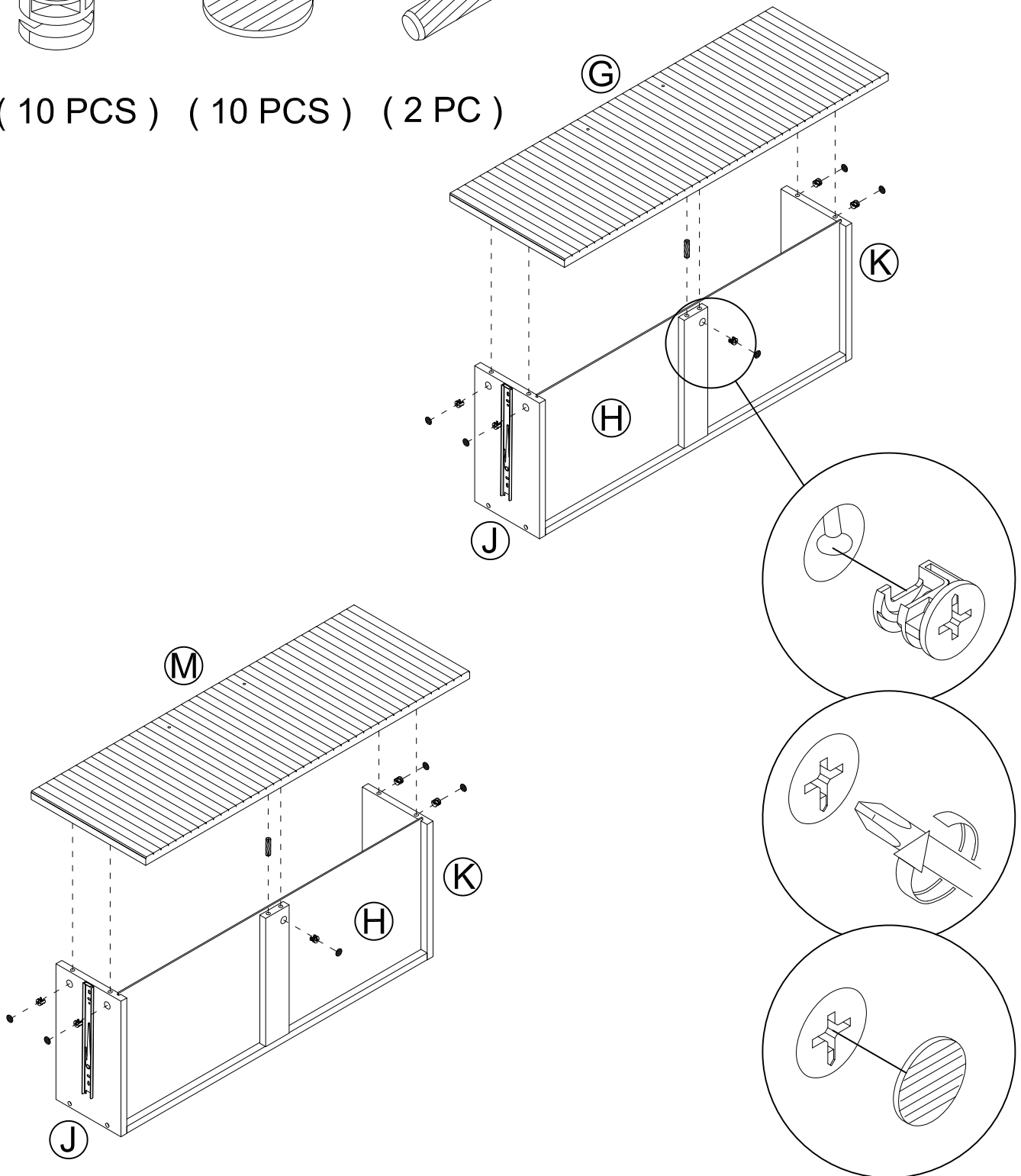
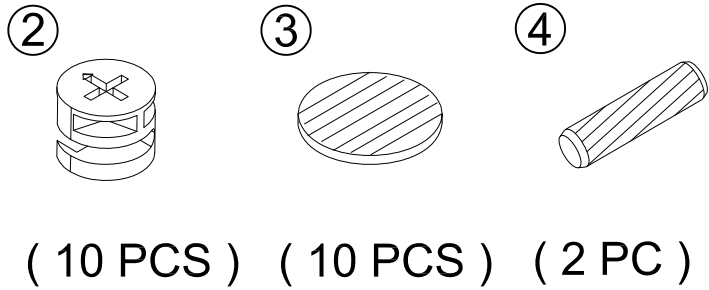


(10 PCS)



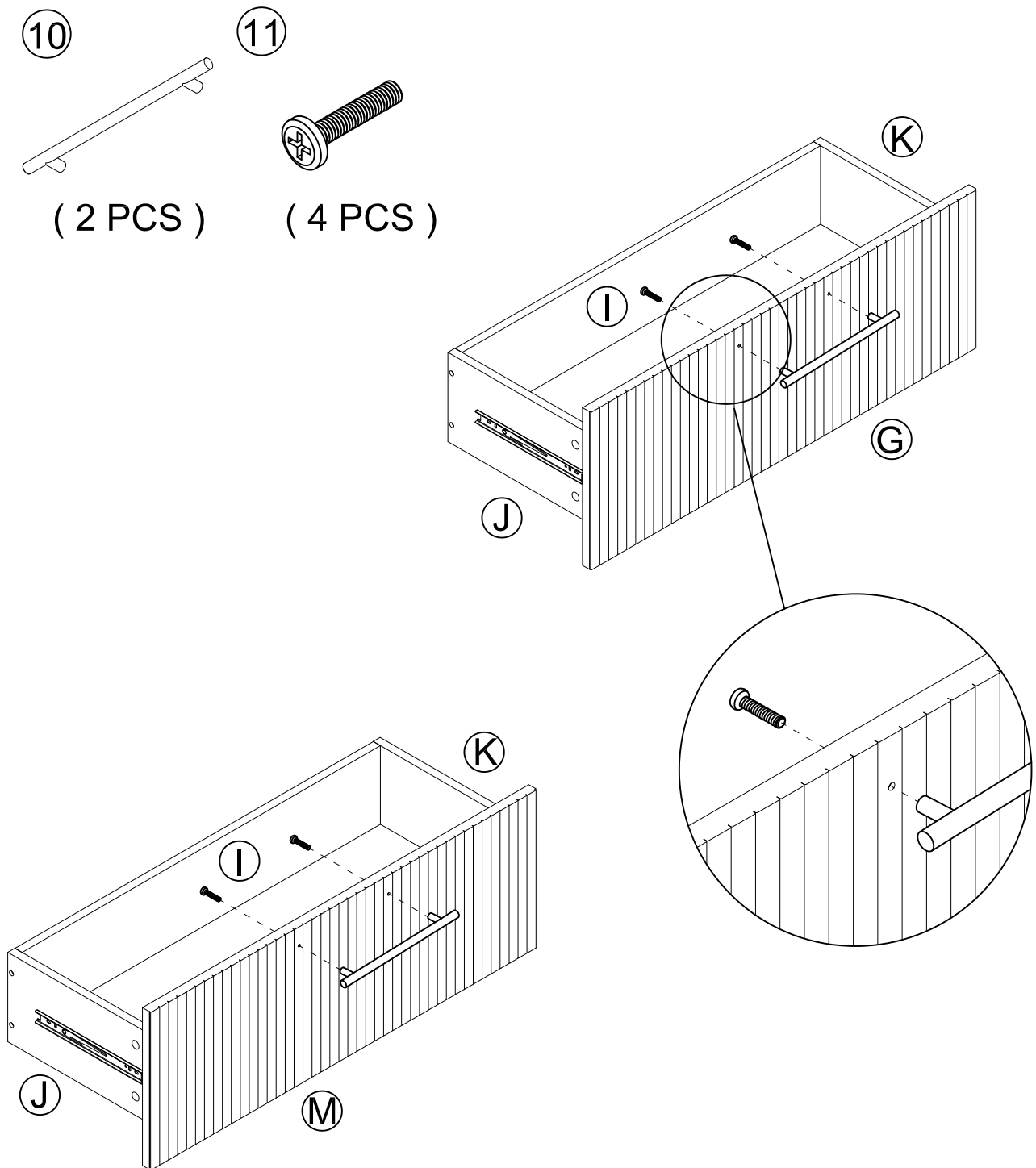
Step 17:

* Assemble the DRAWER LEFT FRONT PANEL (G) and DRAWER RIGHT FRONT PANEL (M) to the DRAWER TRAY by the Ten KD CAM (2) ,Ten COVER CAP (3), and Two WOOD DOWEL (4).

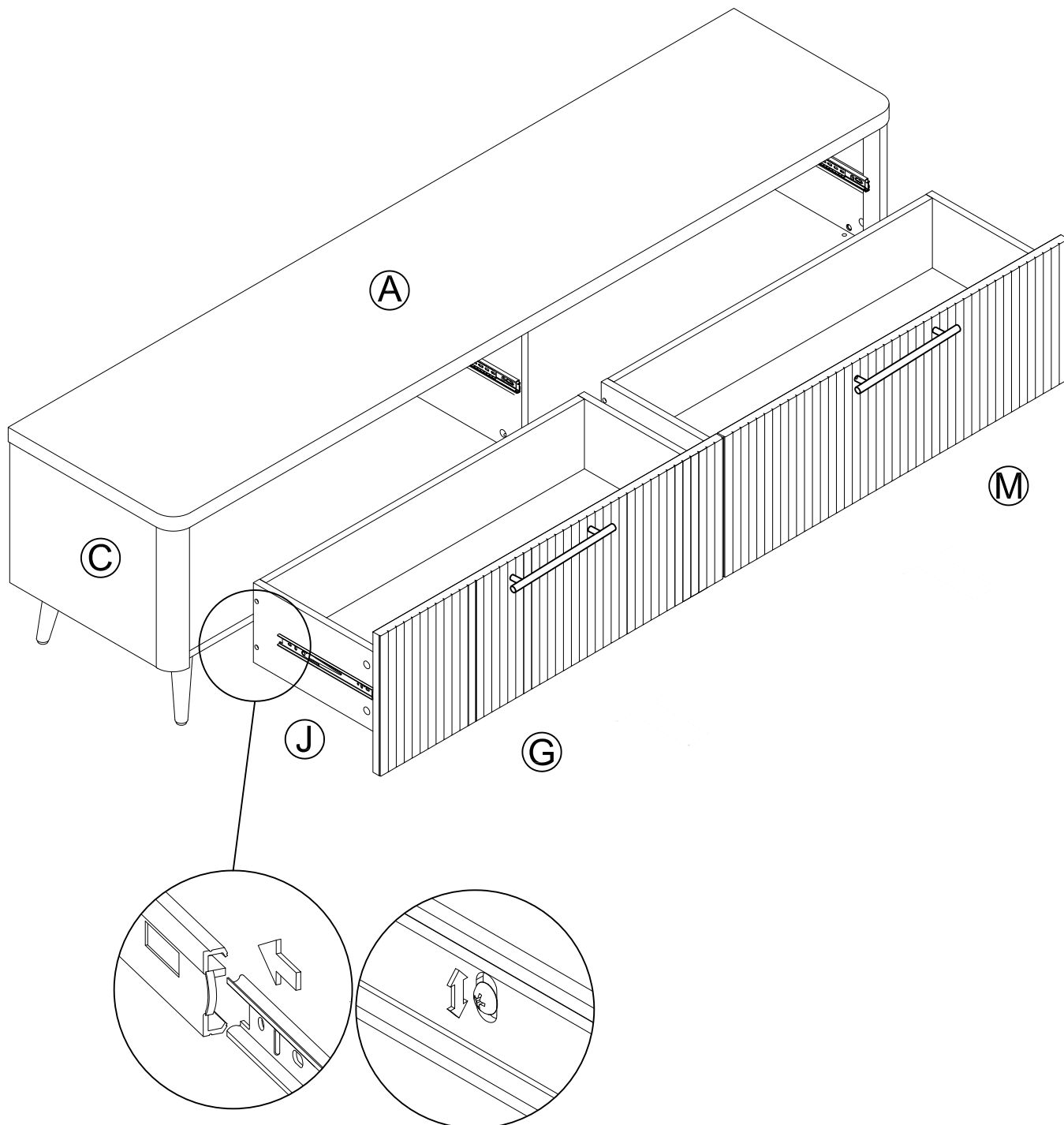


Step 18:

* Fasten the Two DOOR PULL (10) to the TDRAWER LEFT FRONT PANEL (G) and DRAWER RIGHT FRONT PANEL (M) USE Four BOLTS (11).

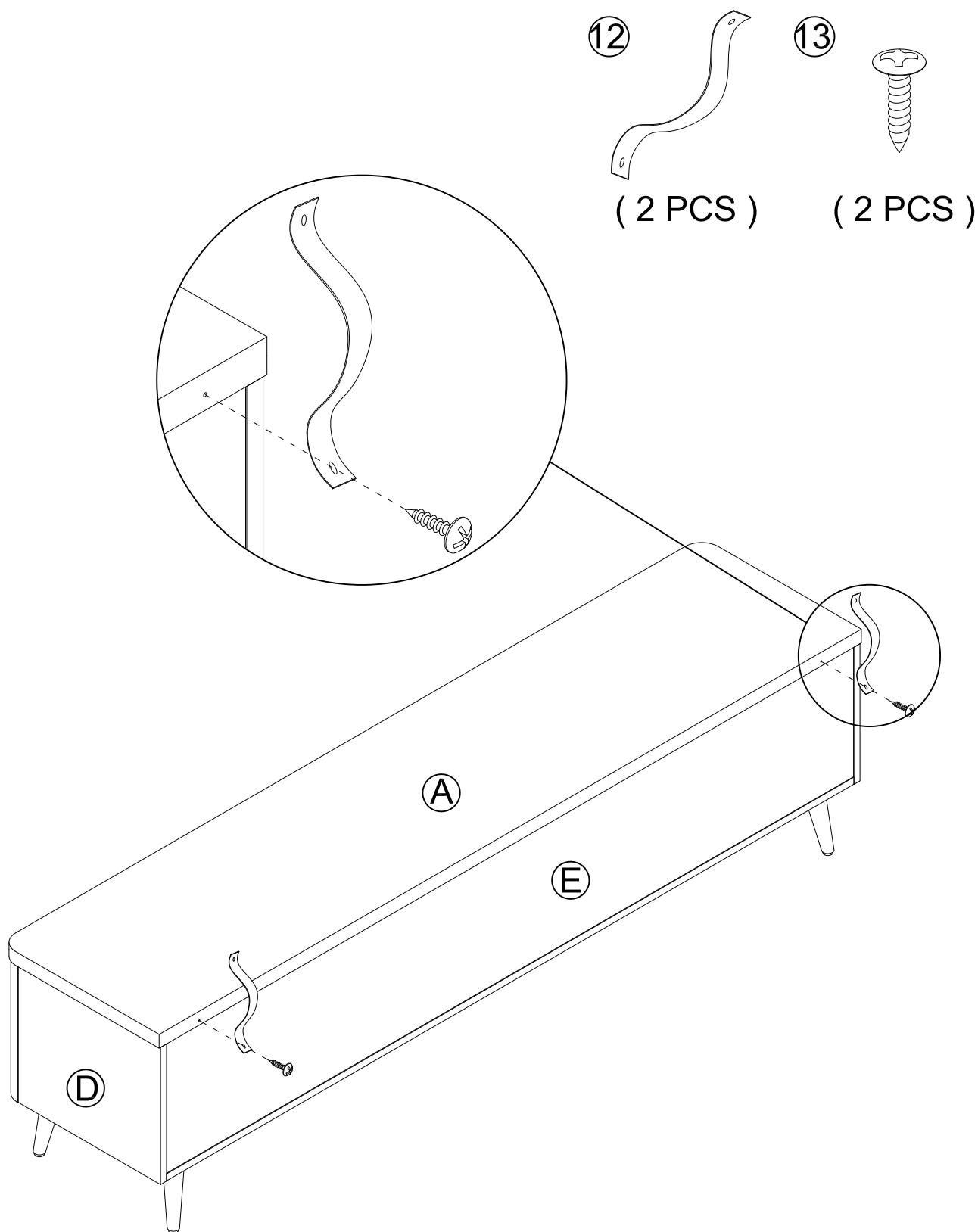


Step 19:



Step 20:

* Attach anti-tipping straps to the back of the stand.



Step 21:

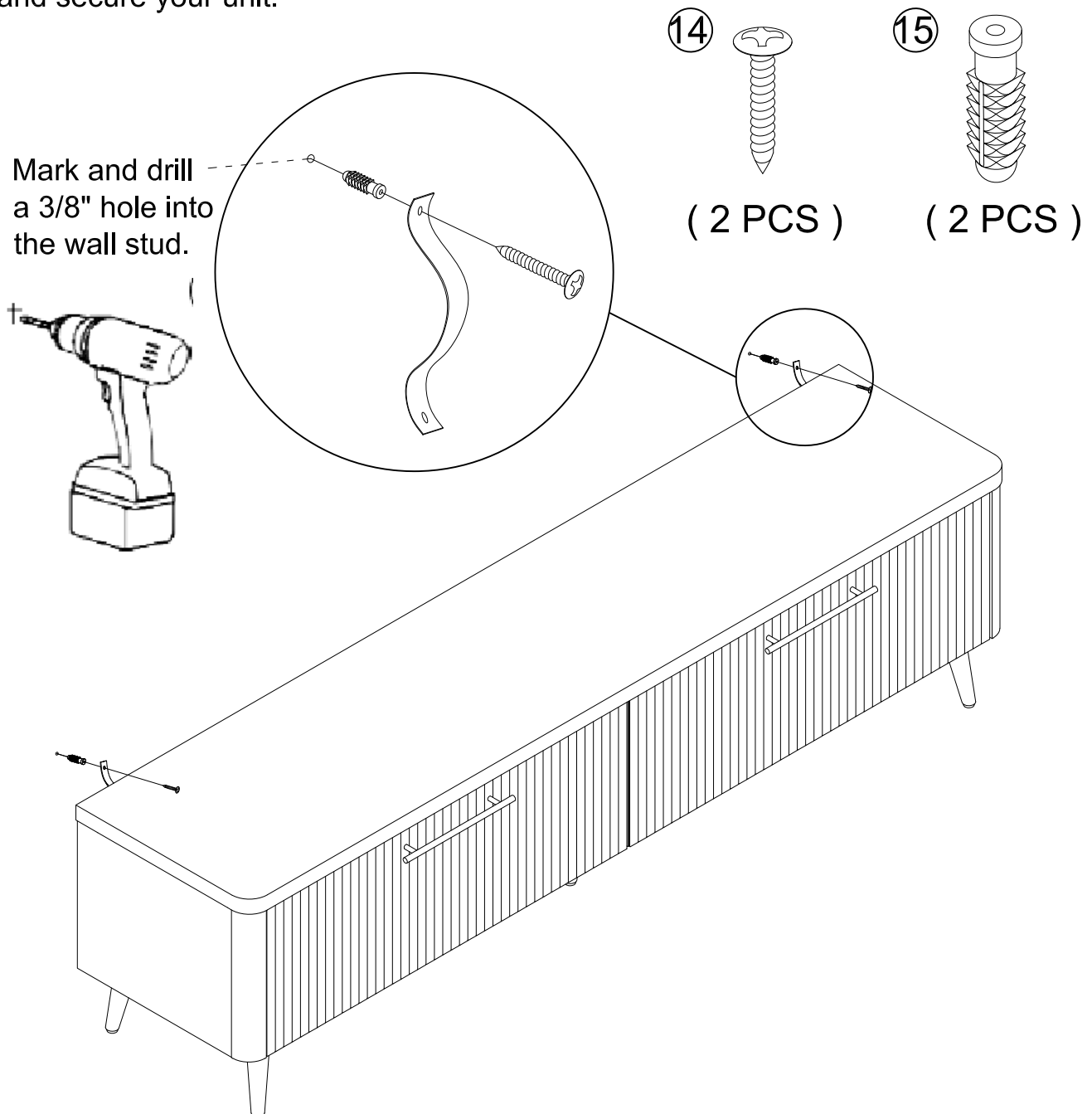
1st- With your pencil, strike a mark through the center of the hole in the SAFETY STRAP.

2nd- Drill a 3/8" hole on the mark.

3rd- FURNITURE TIPPING RESTRAINT KIT (15) into the hole until it is even with the surface of the wall.

4th- Turn the LONG SCREW through the hole in the SAFETY STRAP and into the WALL ANCHOR.

NOTE: You will need to turn the LONG SCREW multiple turns to completely tighten and secure your unit.





MANHATTAN COMFORT

WARRANTY POLICY

All Manhattan Comfort furniture products are warranted, to the original purchaser at the time of purchase and for a period of 30 days thereafter.

Our warranty is limited to new products purchased in factory sealed cartons. This warranty is valid in the United States of America and Canada.

In order to provide you with timely assistance, please thoroughly inspect your furniture for missing or defective parts immediately after opening the carton.

Manhattan Comfort offers a 30-day parts replacement warranty on all items.

Our furniture products are not intended for outdoor use.

THE WARRANTY DOES NOT COVER:

- Defects/damages by improper assembly or disassembly.
- Defects/damages caused by shipping. Claims for damage during transit should be placed immediately to the transportation company.
- Defects/damages caused by inappropriate use of the furniture.



319 Ridge Rd. Dayton, NJ 08810

908-888-0818