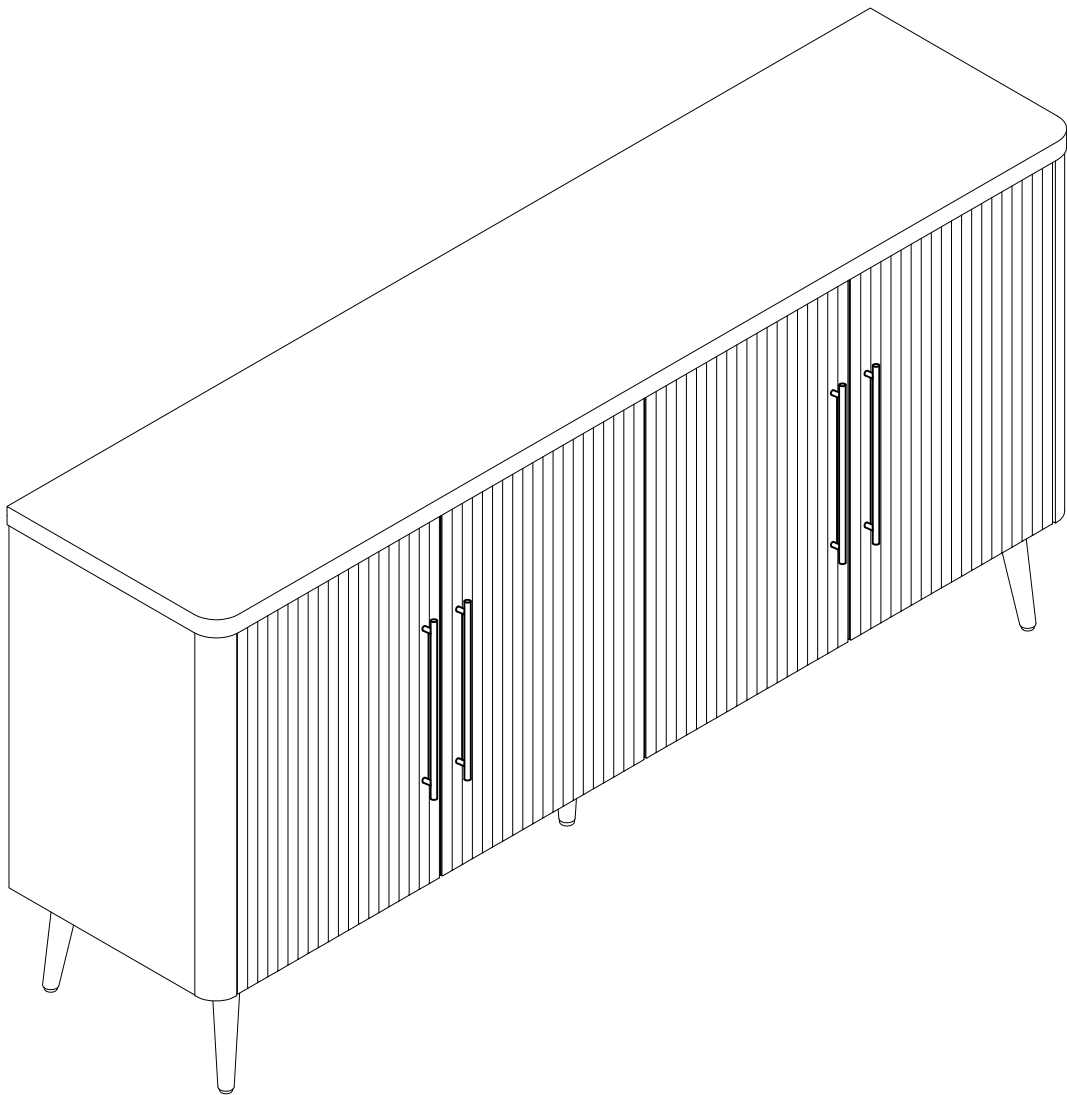




**MANHATTAN
COMFORT**

SB001



V.05152024

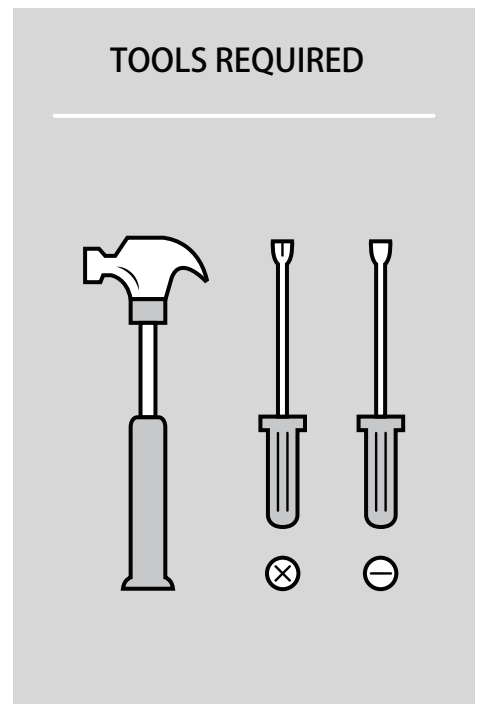
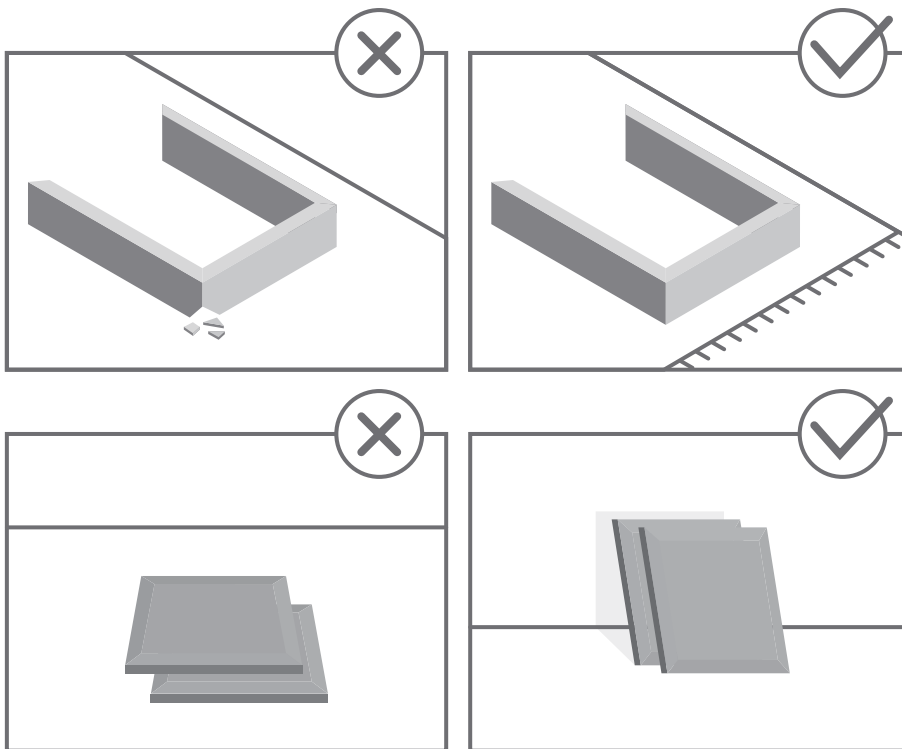


STOP!

Before beginning the assembly process, ensure all boxes and parts have been delivered.

FOR BEST RESULTS:

- Do not throw away packaging materials until assembly is complete.
- Assemble item on a soft surface, such as cardboard or carpet, to protect finish.
- Proper assembly requires two people.



View our assembly video online:
WWW.MANHATTANCOMFORT.COM

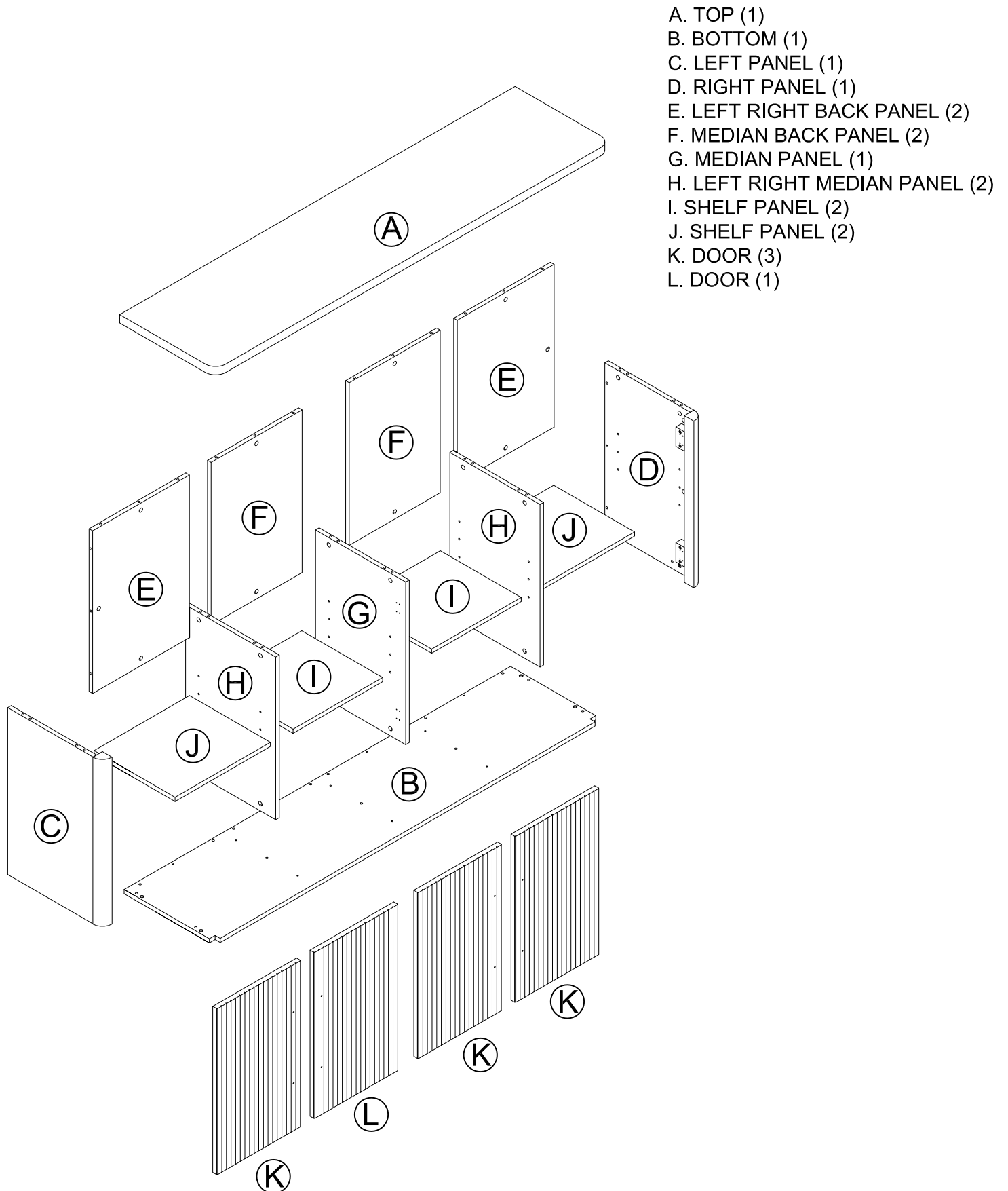


Stuck? Question? We are here to help.
tel: 908-888-0818
e-mail: help@manhattancomfort.com

Support Site

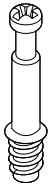


Included in this package:

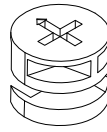


Hardware Identification

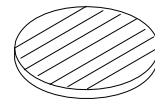
① KD BOLT - 26pcs
L=25mm



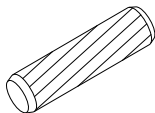
② KD CAM - 26pcs
Ø15*11mm



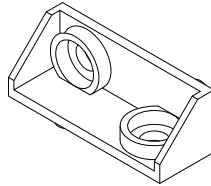
③ COVER CAP - 32pcs



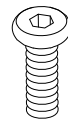
④ WOOD DOWEL - 33pcs
Ø8*30mm



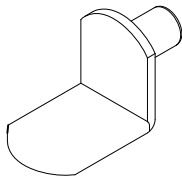
⑤ FITTING - 4pcs



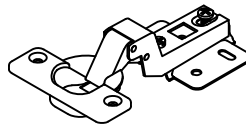
⑥ BOLT - 28pcs
M6*12mm



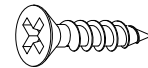
⑦ SHELF PEGS - 16pcs



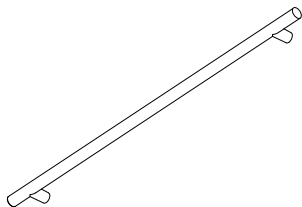
⑧ HINGE - 4pcs



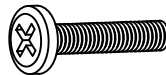
⑨ SCREW - 48pcs
Ø4*14mm



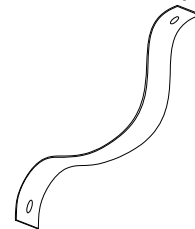
⑩ DOOR FULL - 4pcs



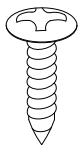
⑪ SCREW - 8pcs
5/32"*25mm



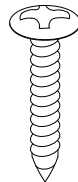
⑫ STRAPS - 2pcs



⑬ SCREW - 2pcs
Ø4*18mm



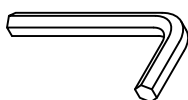
⑭ SCREW - 2pcs
Ø4*25mm



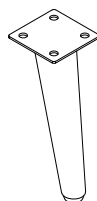
⑮ PLASTIC - 2pcs



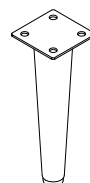
⑯ LOCK - 1pc



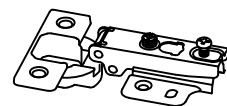
⑰ LEGS - 4pcs

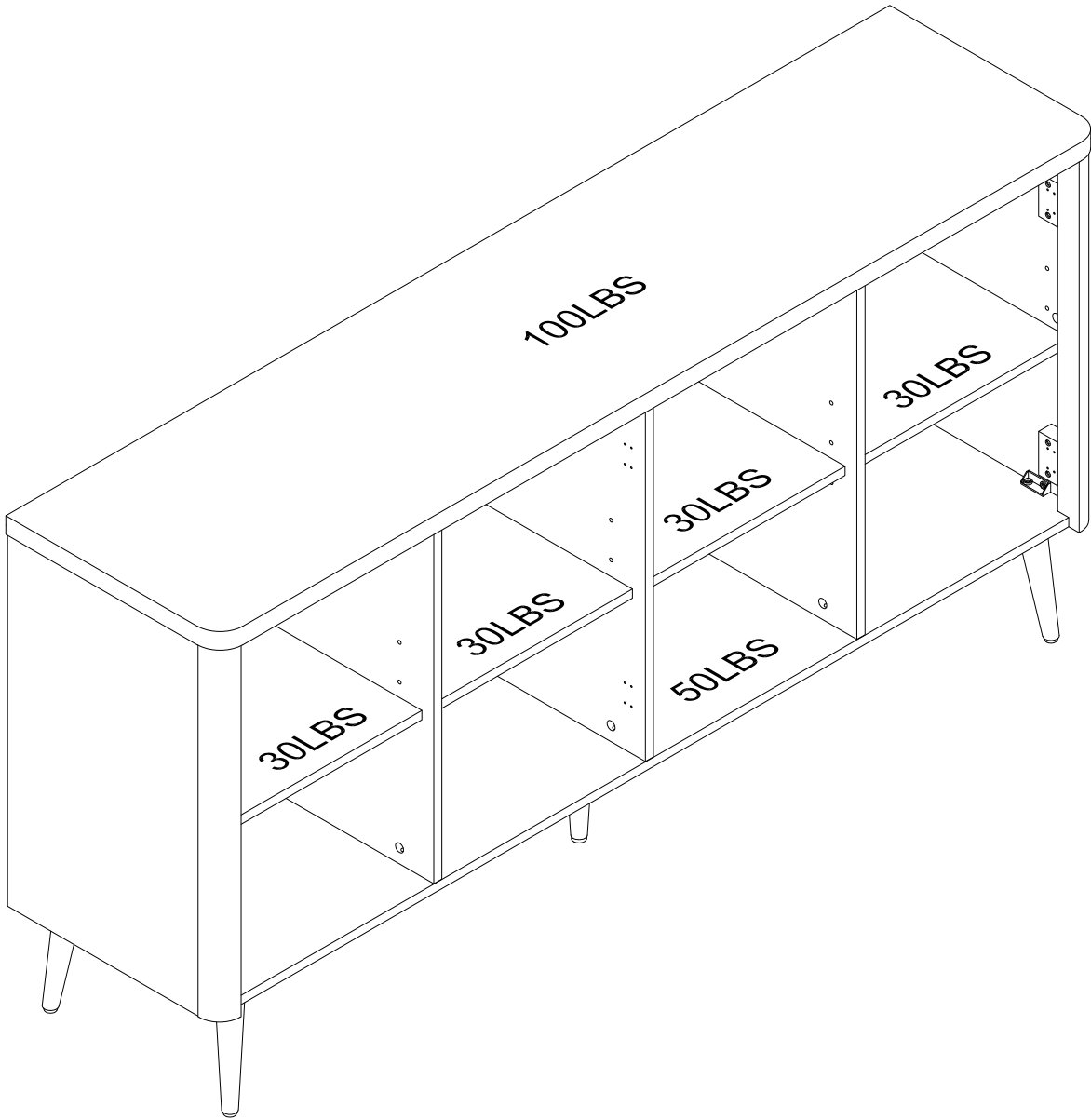


⑱ MEDIAN LEG - 1pc



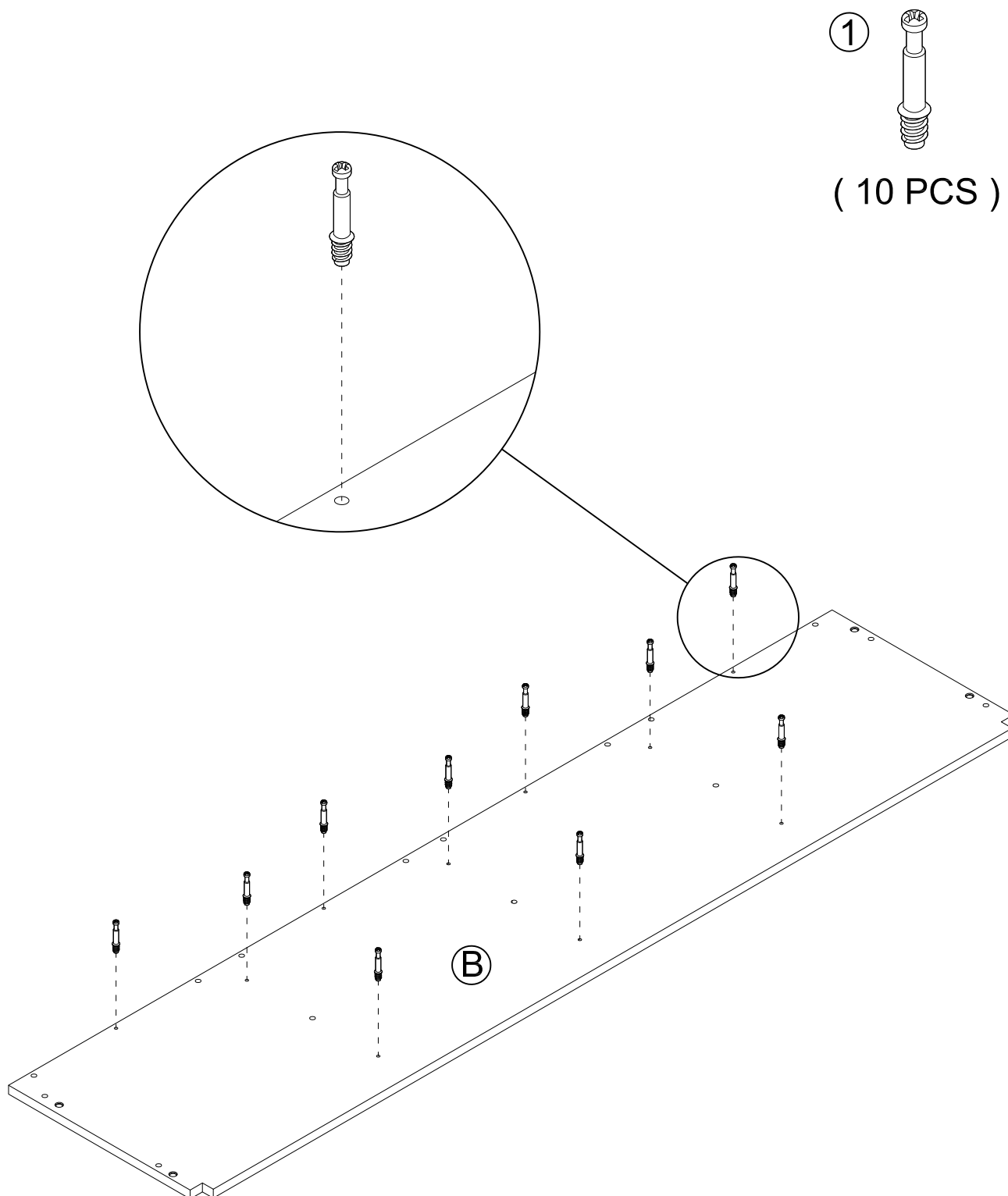
⑲ HINGE - 4pcs





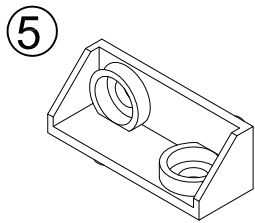
Step 1:

* Insert Ten KD BOLT (1) to the BOTTOM (B),



Step 2:

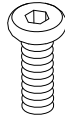
* Attach Four CONNECTORS (5) to the BOTTOM (B) by the Four BOLT (6).



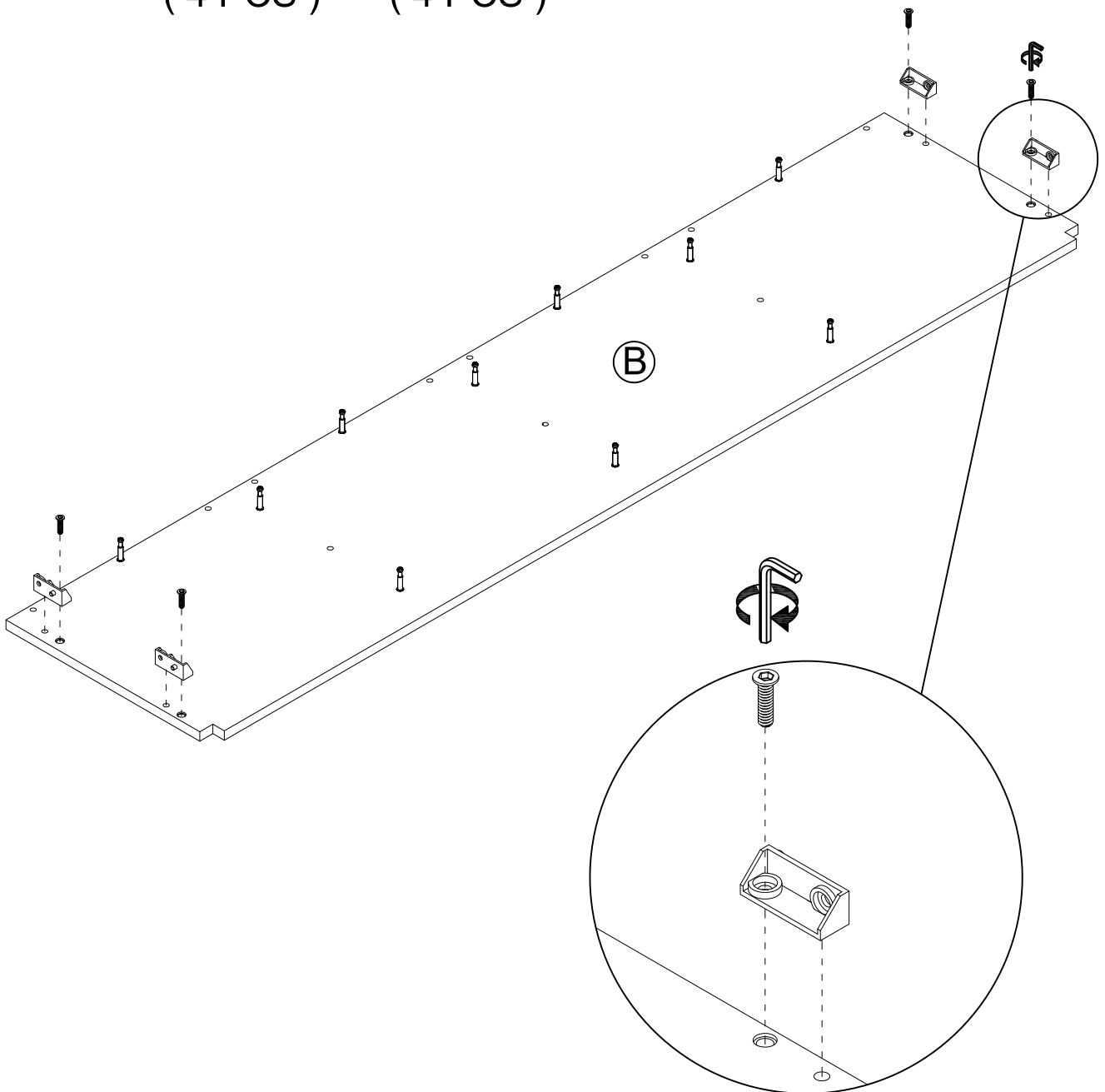
⑤

(4 PCS)

⑥



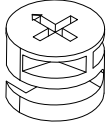
(4 PCS)



Step 3:

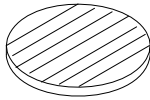
* Attach the MEDIAN PANEL (G) and Two LEFT RIGHT MEDIAN PANEL (H) to the BOTTOM (B) by the Six KD CAM (2) , Six COVER CAP (3) , and Three WOOD DOWEL (4) .

②



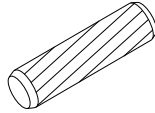
(6 PCS)

③

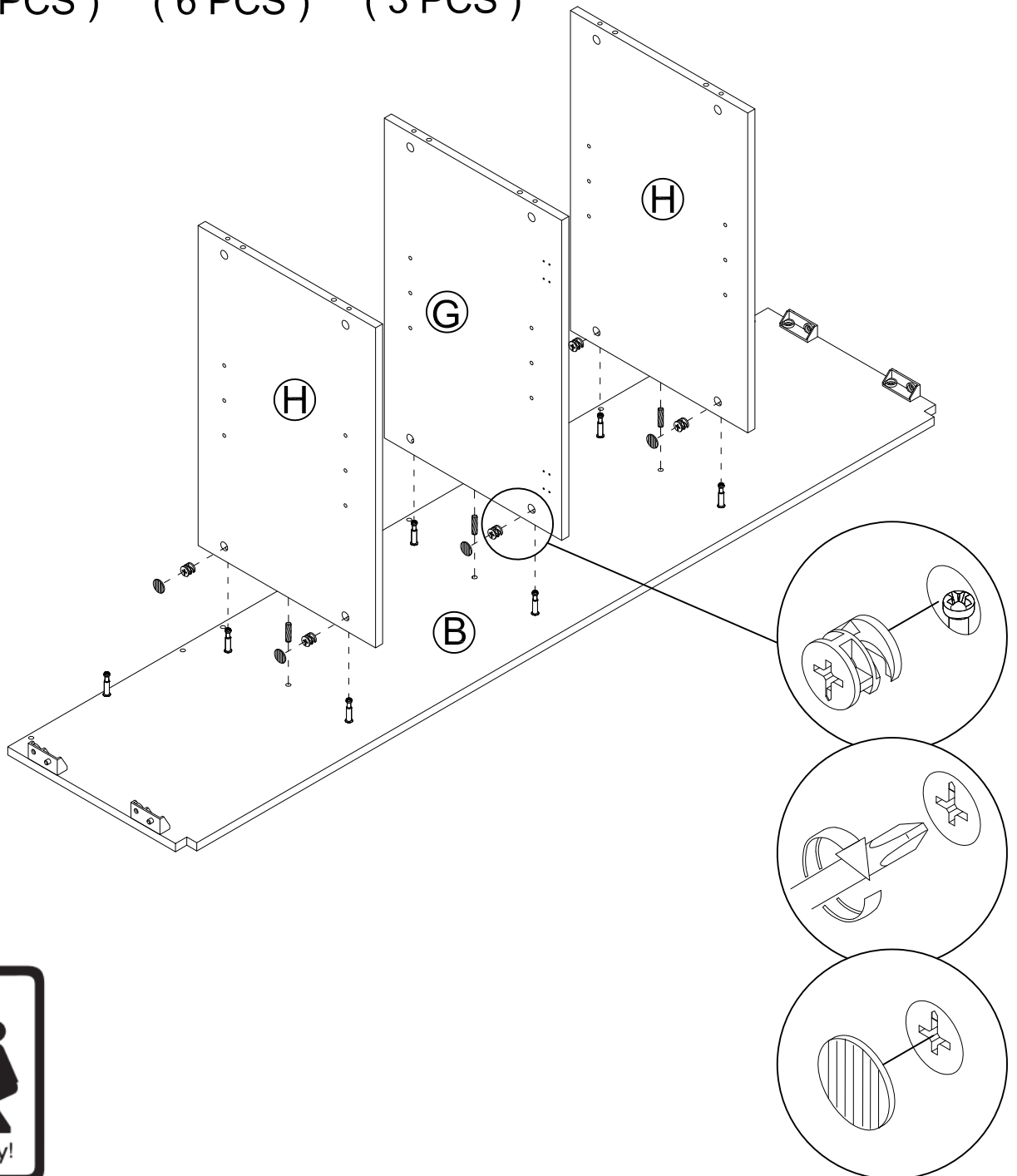


(6 PCS)

④

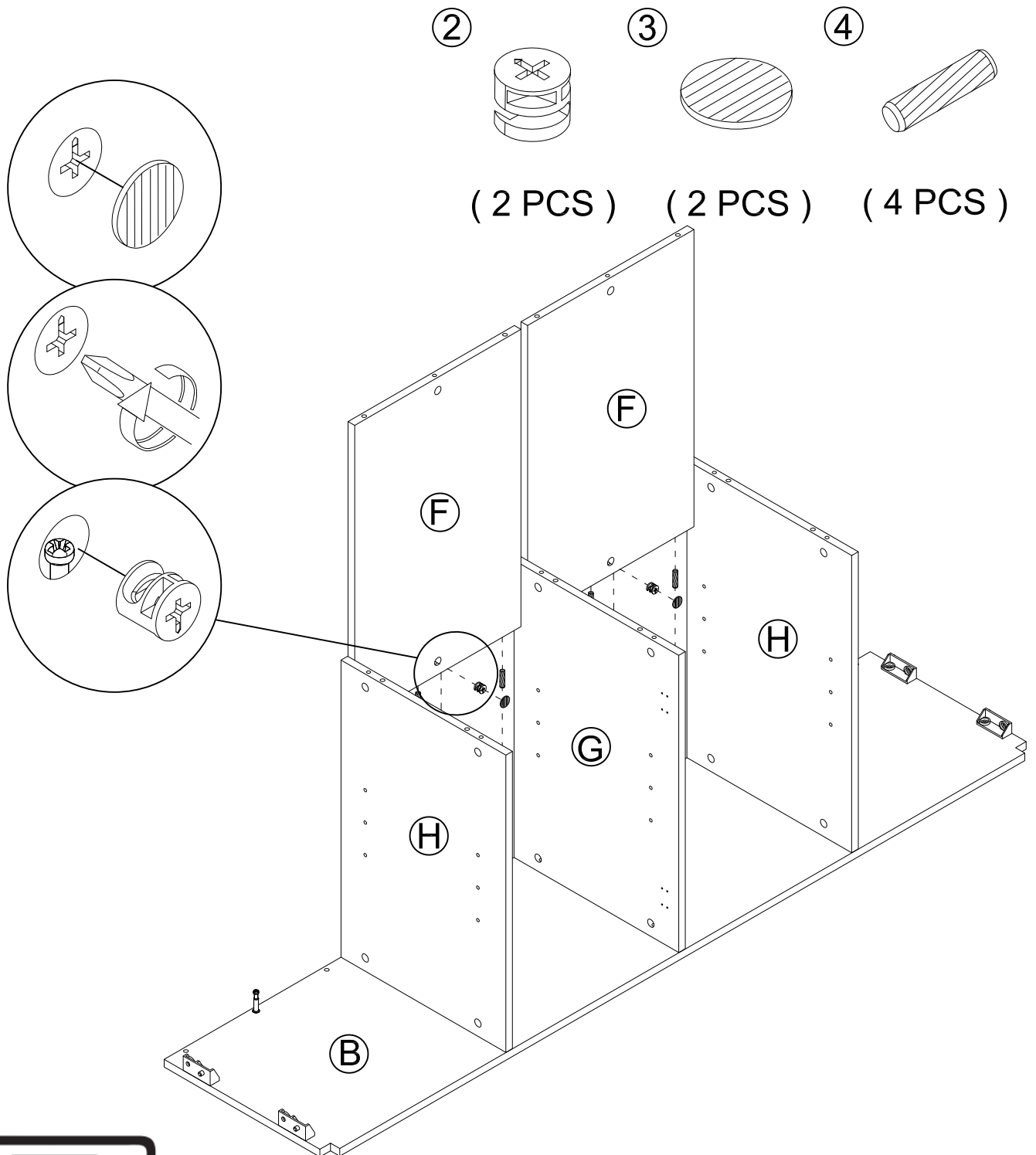


(3 PCS)



Step 4:

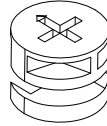
* Attach the LEFT RIGHT BACK PANEL (F) to the BOTTOM (B) by the Two KD CAM (2) , Two COVER CAP (3) ,and Four WOOD DOWEL (4) .



Step 5:

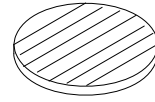
* Attach the MEDIAN BACK PANEL (E) to the BOTTOM (B) by the Two KD CAM (2) , Two COVER CAP (3) ,and Four WOOD DOWEL (4) .

②



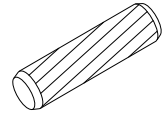
(2 PCS)

③

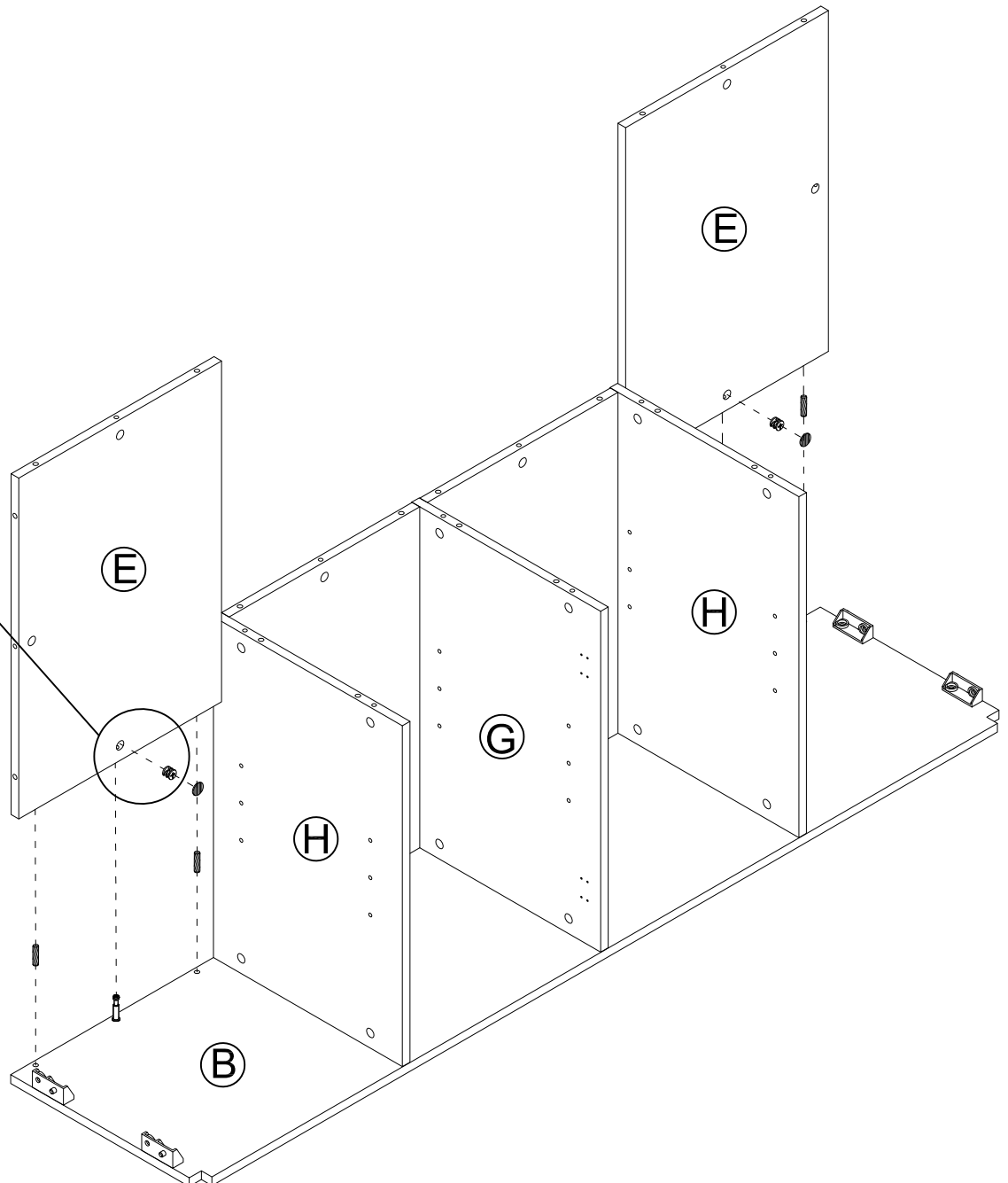
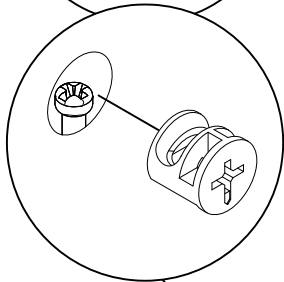
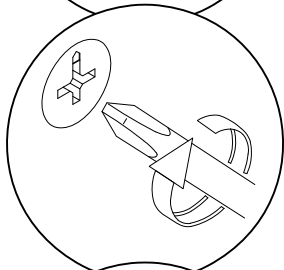
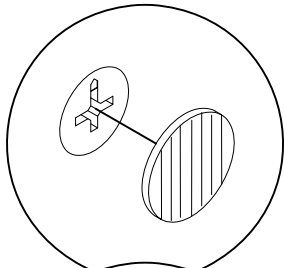


(2 PCS)

④



(4 PCS)



Step 6:

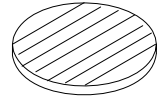
* Insert Two KD BOLT (1) and Six COVER CAP (3) to the LEFT PANEL (C) and RIGHT PANEL (D) .

①

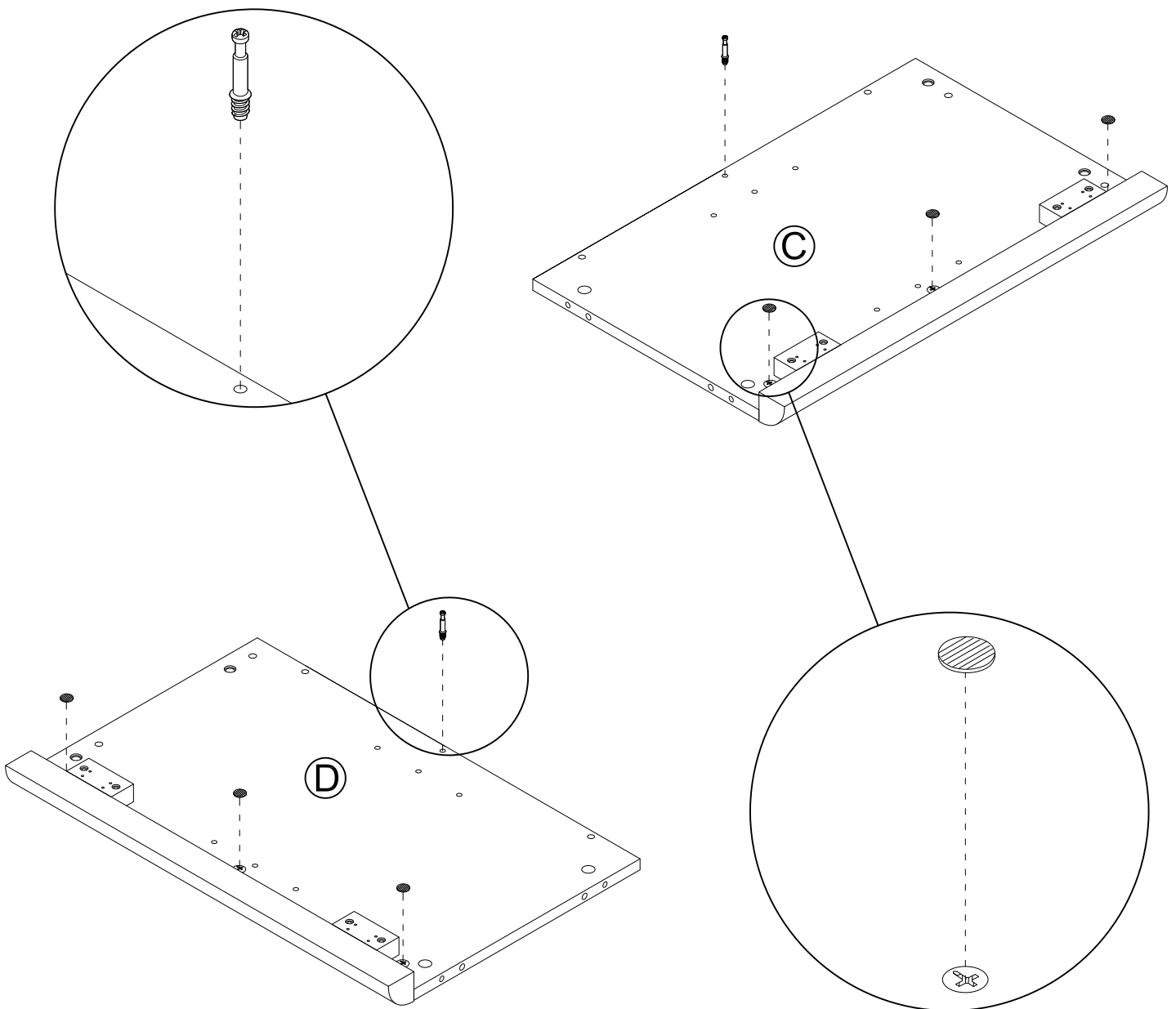


(2 PCS)

③

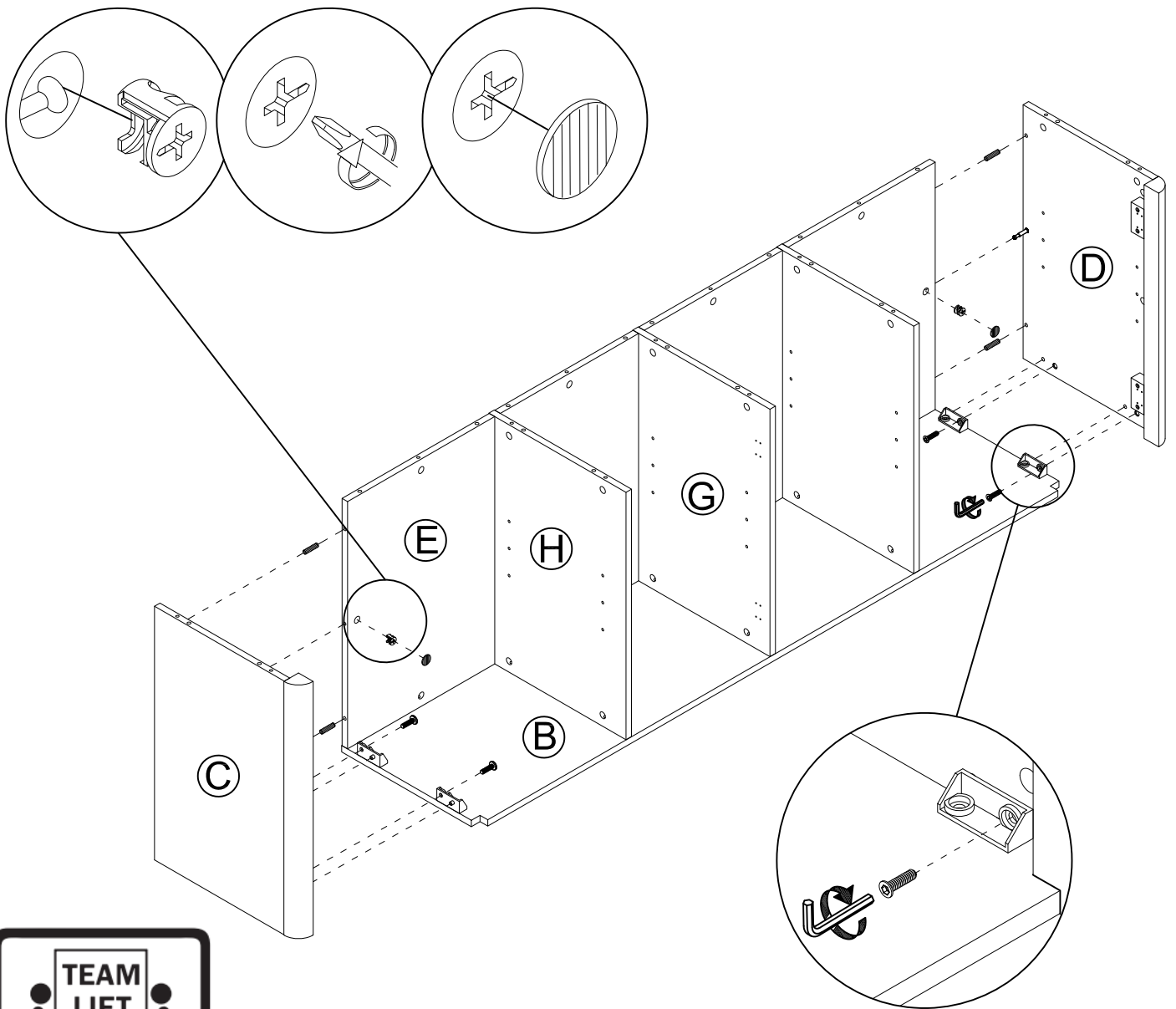
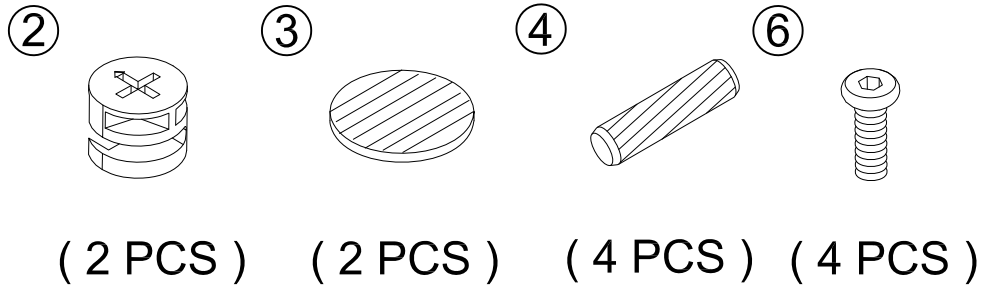


(6 PCS)



Step 7:

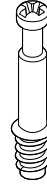
* Attach the LEFT PANEL (C) and RIGHT PANEL (D) to the ASSEMBLY by the Two KD CAM (2) , Two COVER CAP (3) , Four WOOD DOWEL (4) and Four BOLT (6).



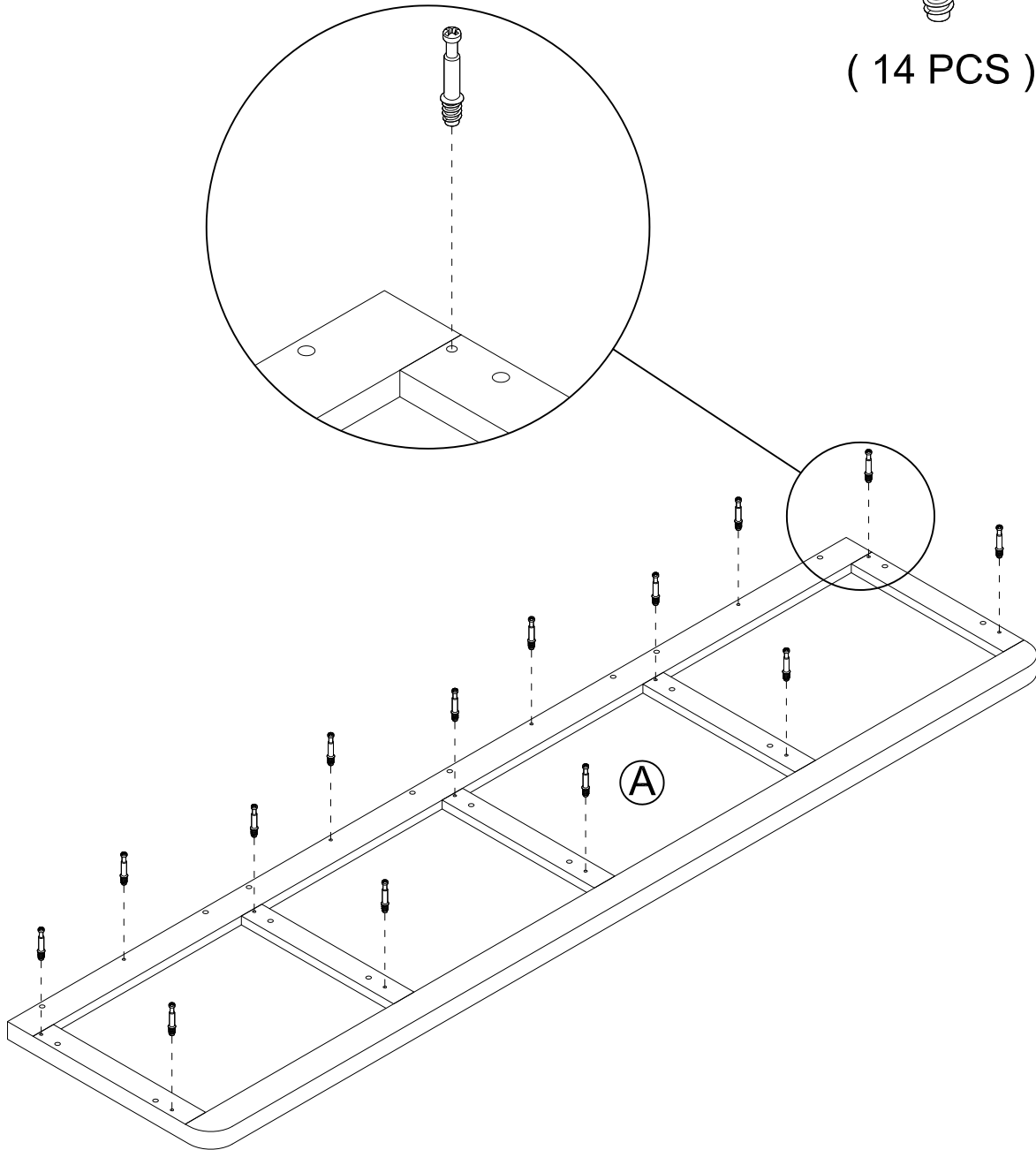
Step 8:

* Insert Fourteen KD BOLT (1) to the TOP (A),

①



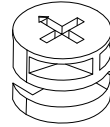
(14 PCS)



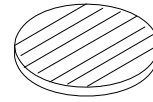
Step 9:

* Attach the TOP (A) to the ASSEMBLY by the Fourteen KD CAM (2) ,
Fourteen COVER CAP (3), and Eighteen WOOD DOWEL (4).

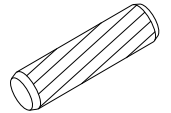
②



③



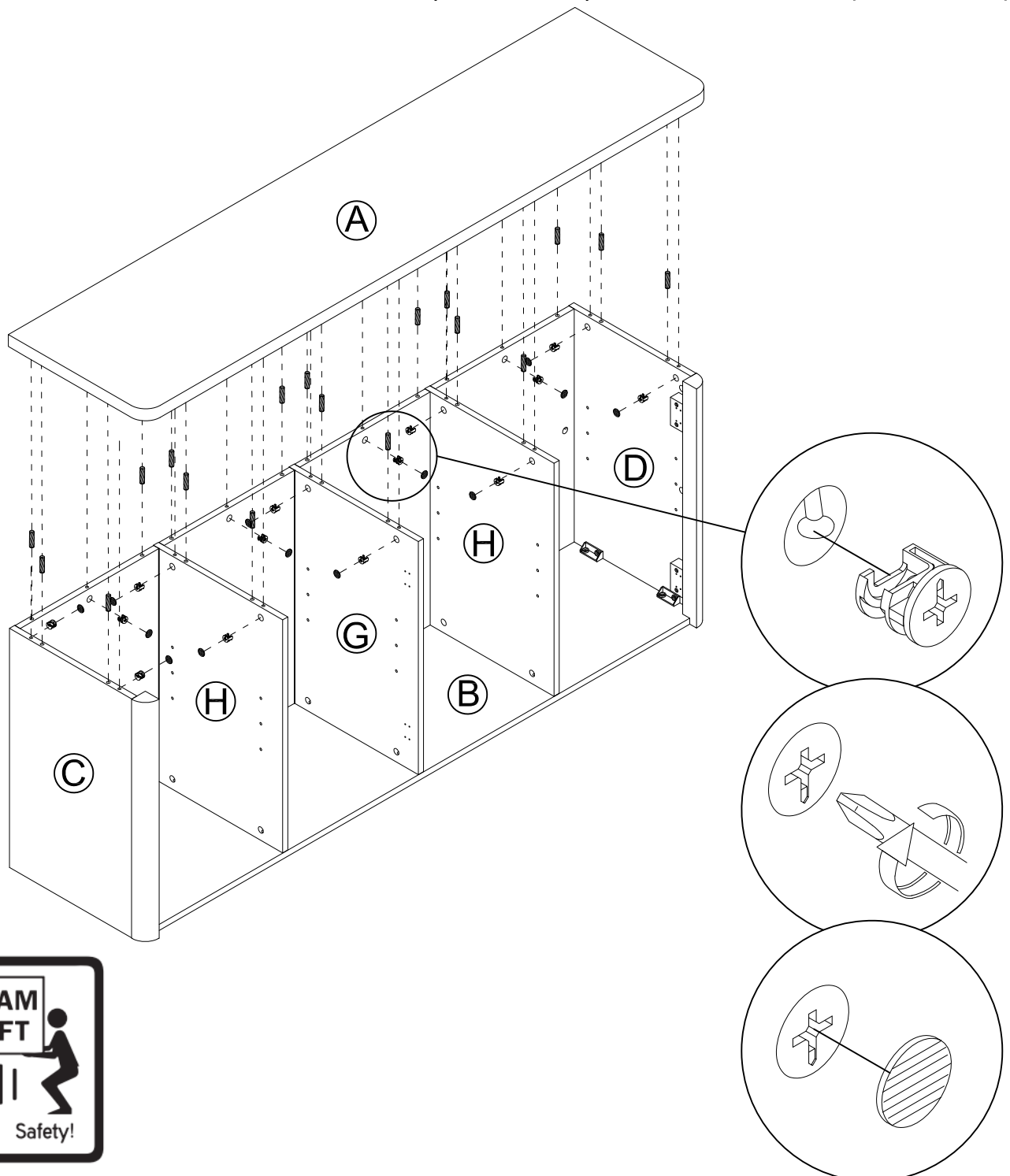
④



(14 PCS)

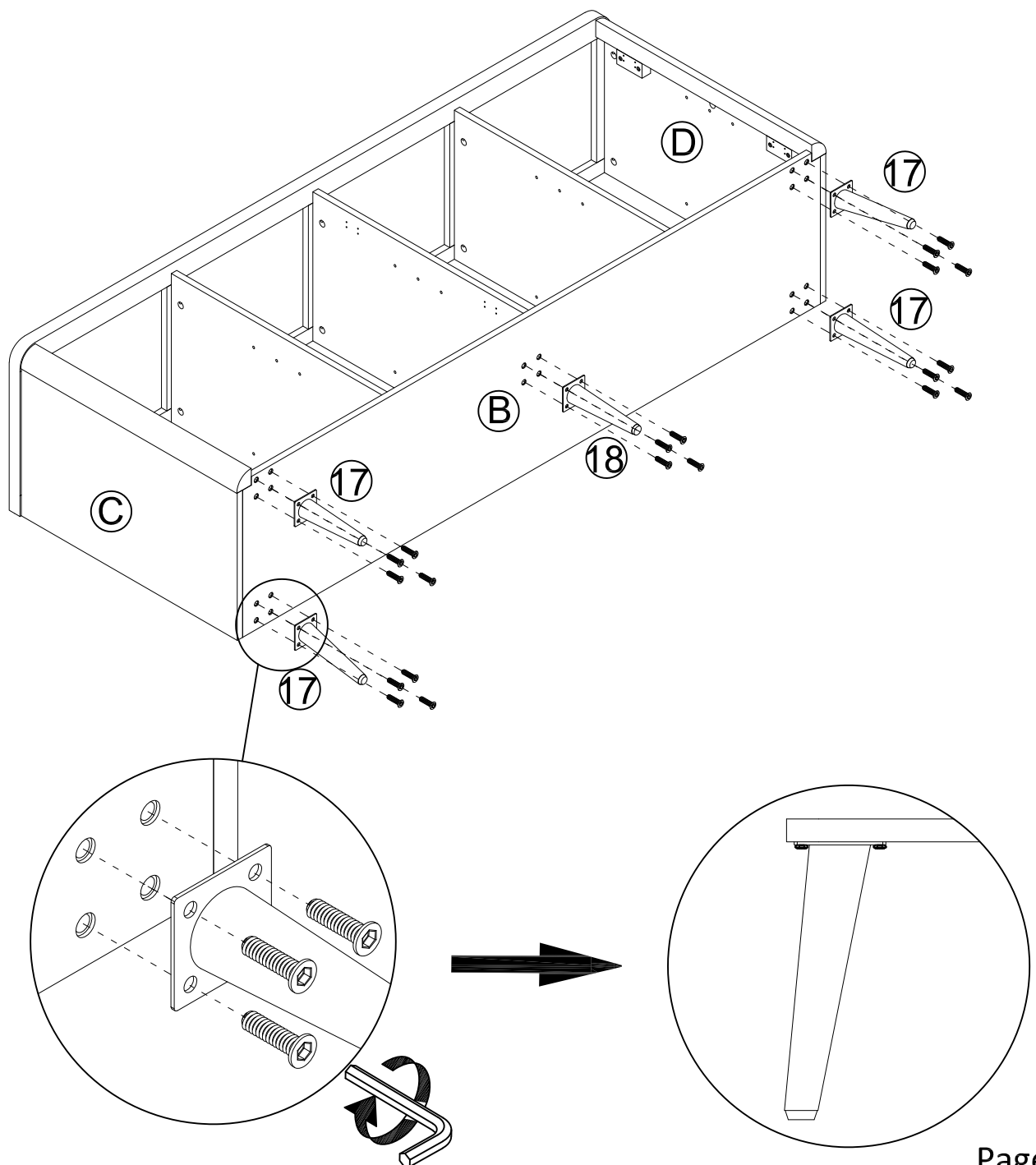
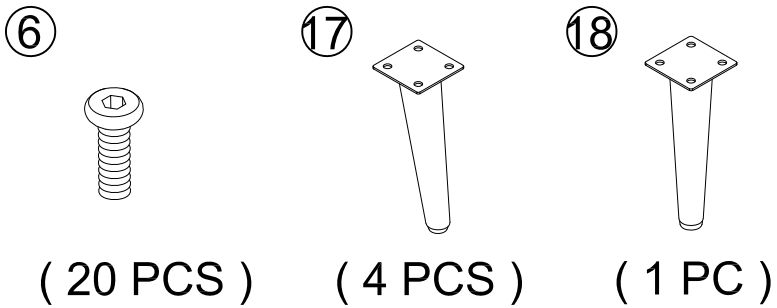
(14 PCS)

(18 PCS)



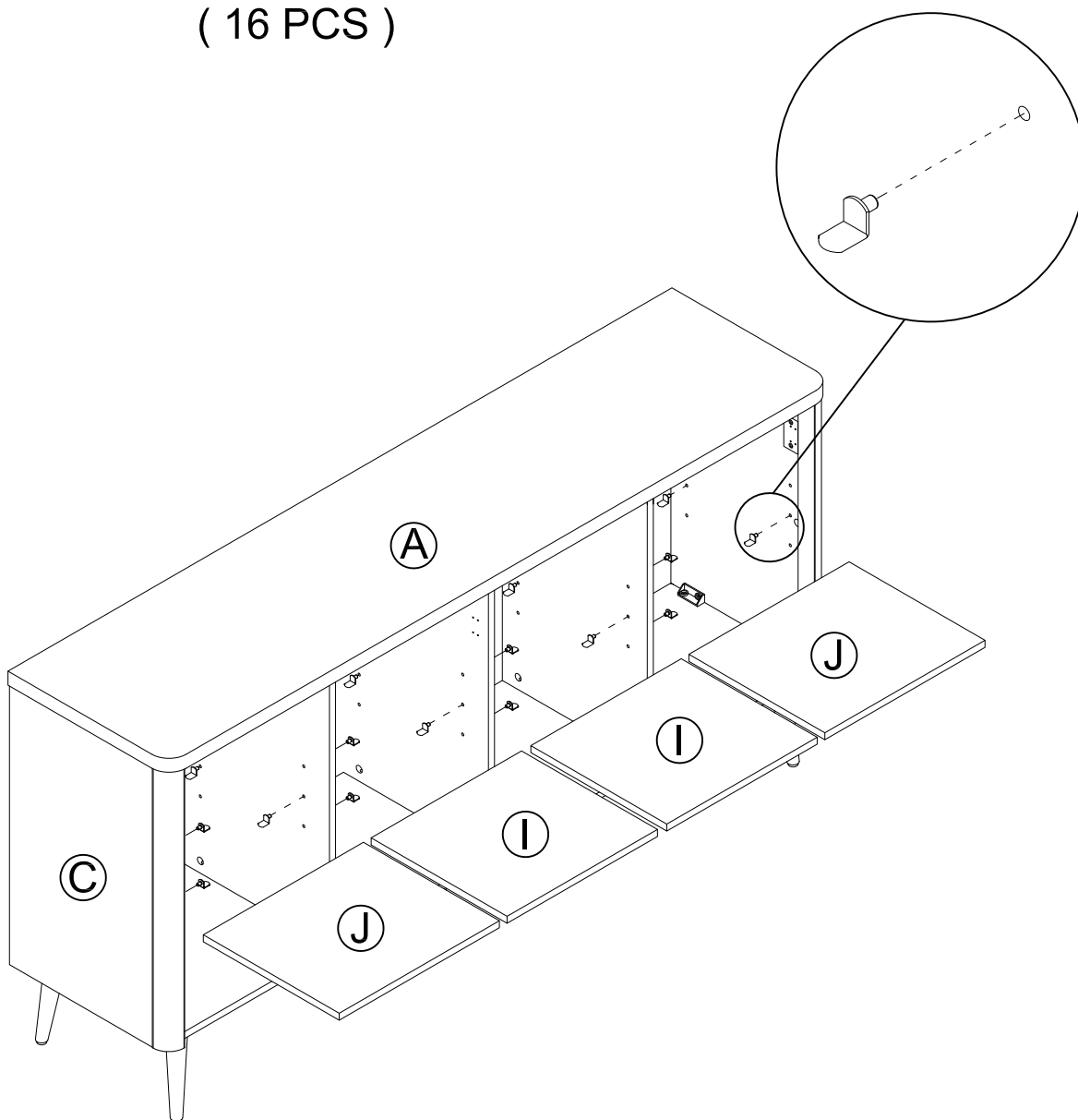
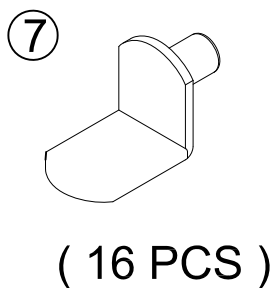
Step 10:

* Attach the Four LEGS (17) and One MEDIAN LEG (18) to the ASSEMBLY by the Twenty BOLT (6) .



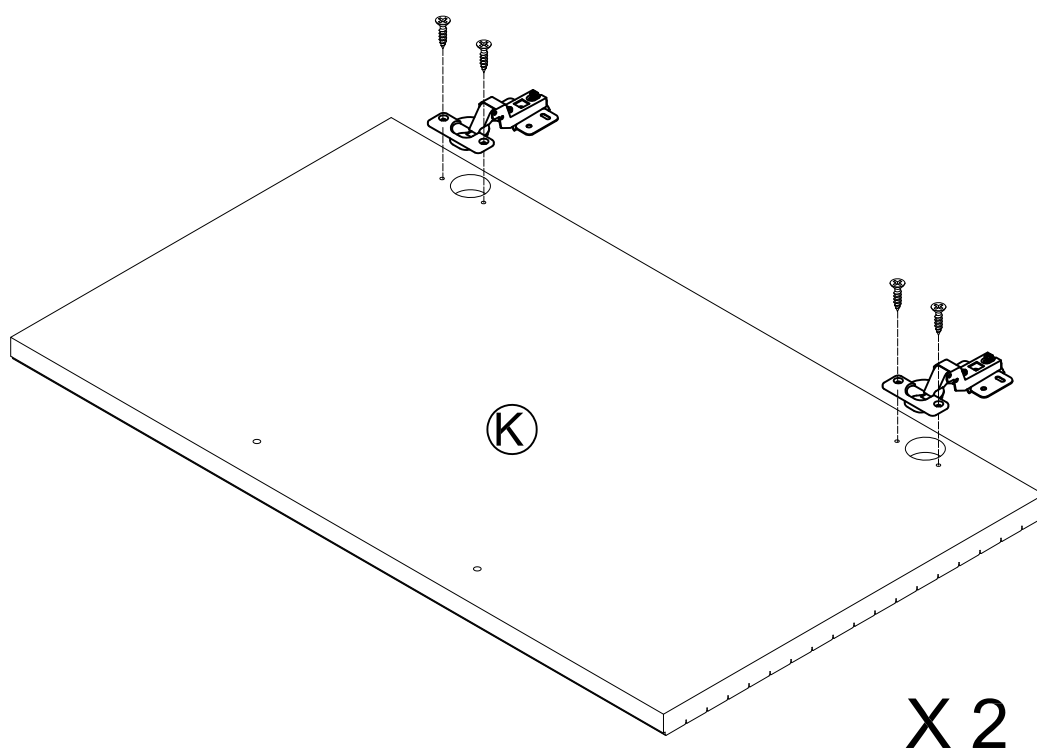
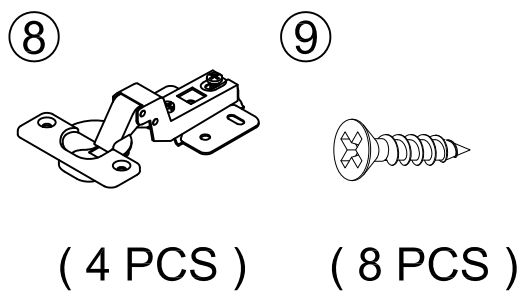
Step 11:

* Insert Sixteen SHELF PEGS (7) into the Sideboard and put on the Two SHELF PANEL (I) and Two SHELF PANEL (J) .



Step 12:

* Attach HINGE (8) and SCREW (9) to the two DOOR (K)

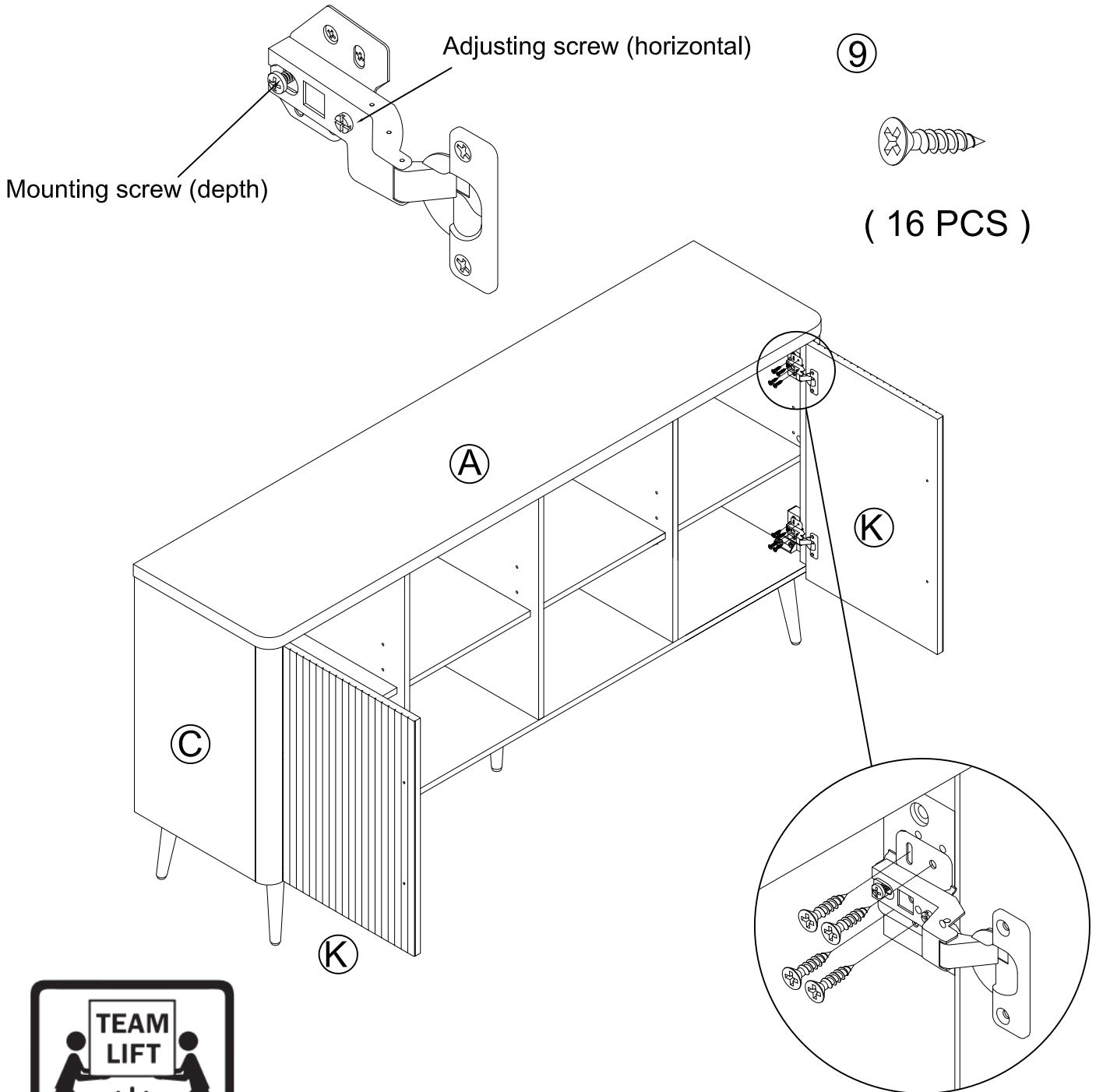


Step 13:

* Carefully stand your unit upright.

Fasten the DOORS (K) to the LEFT PANEL (C) and RIGHT PANEL (D) .

* Note : The hinges should be hooked first from the top to the middle and lower hinge combinations in the "PRESS" order . Note that the hinge leaf must be inserted into the slot along the angle.

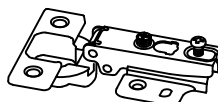


Step 14:

* Attach **HINGE (19)** and **SCREW (9)** to the **DOOR (K)** and **DOOR (L)** .

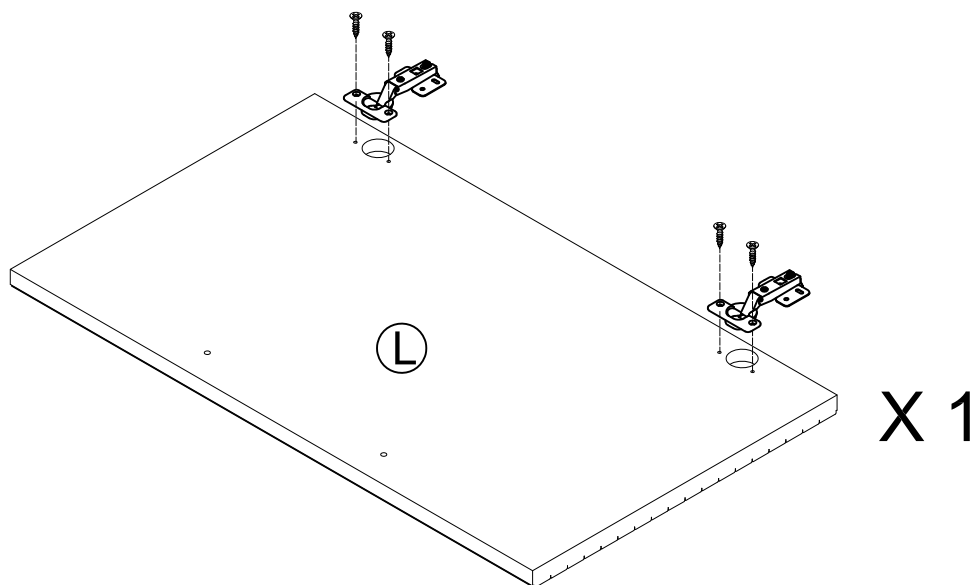
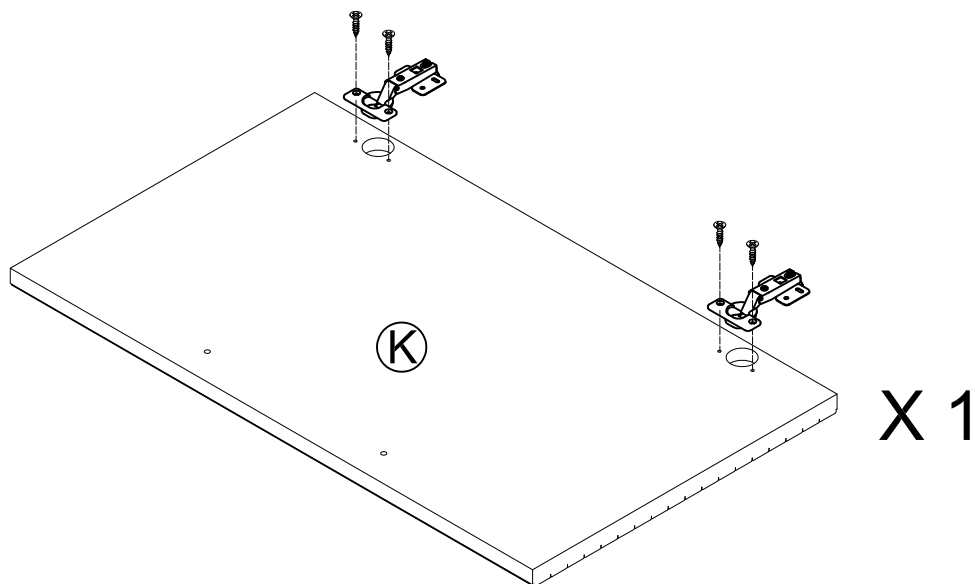
19

9



(4 PCS)

(8 PCS)

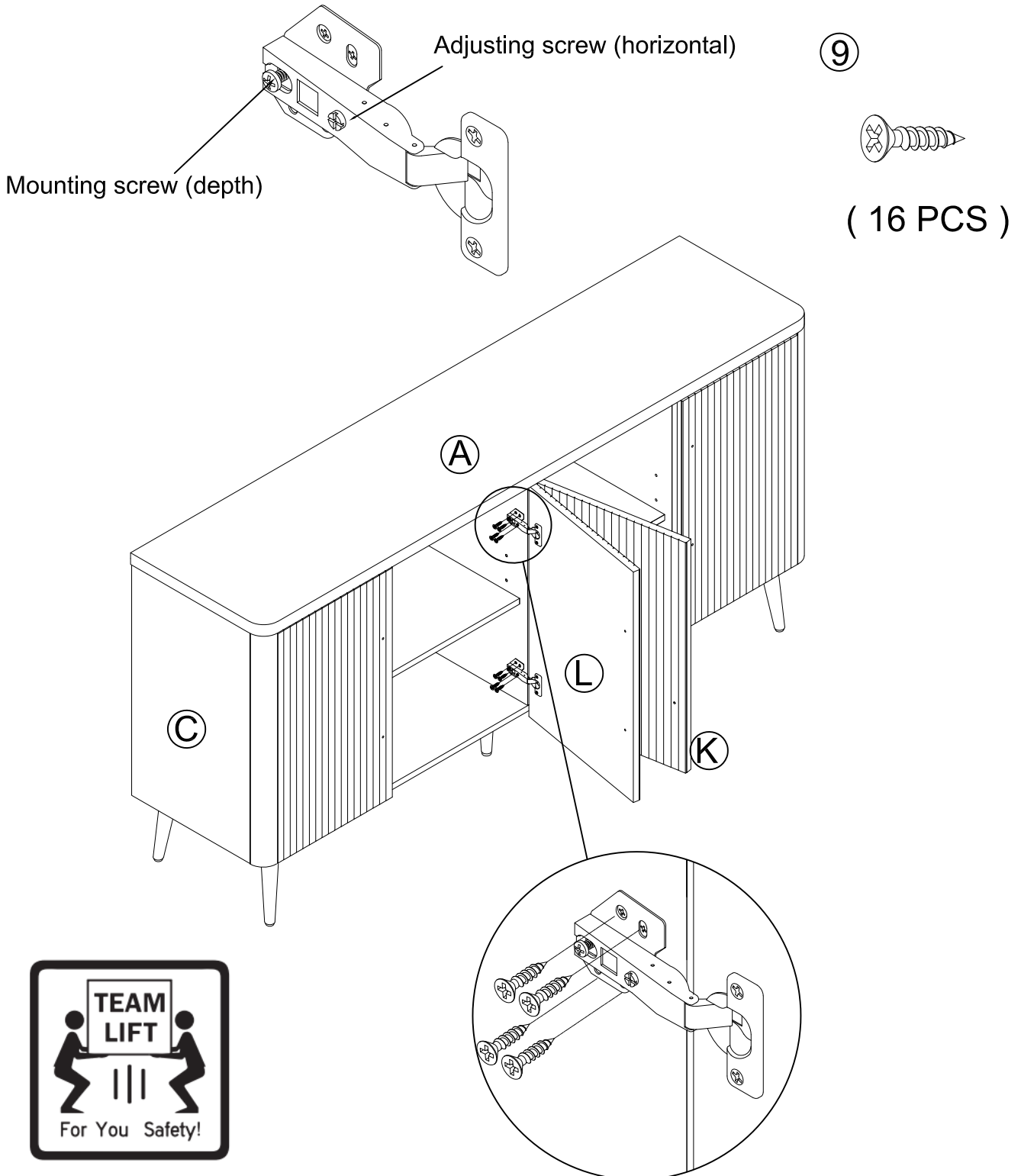


Step 15:

*** Carefully stand your unit upright.**

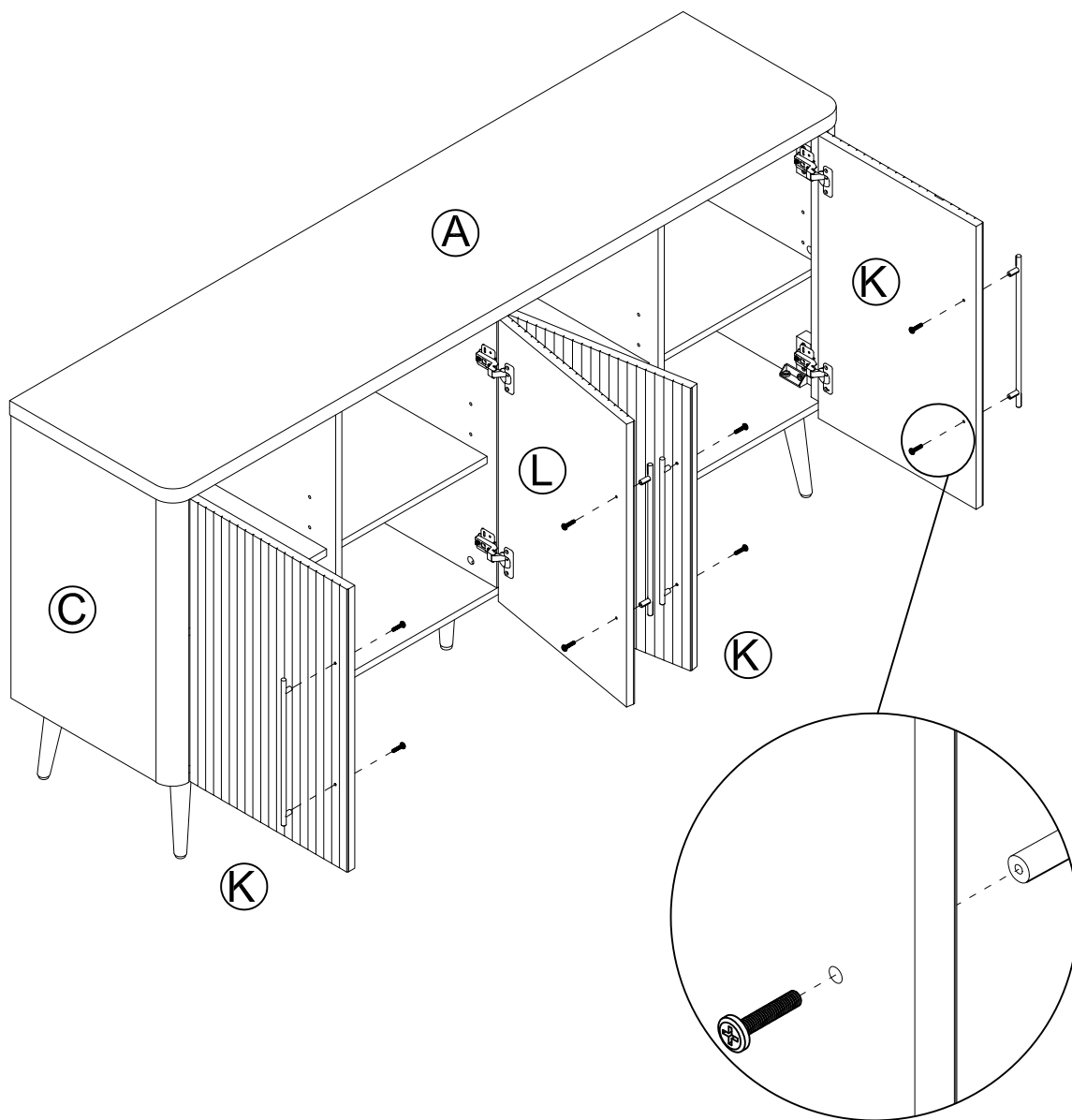
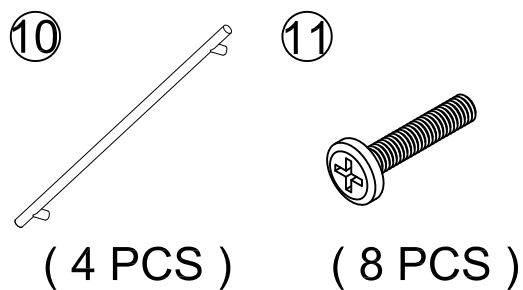
Fasten the DOOR (K) and DOOR (L) to the MEDIAN PANEL (G)

* Note : The hinges should be hooked first from the top to the middle and lower hinge combinations in the "PRESS" order . Note that the hinge leaf must be inserted into the slot along the angle.



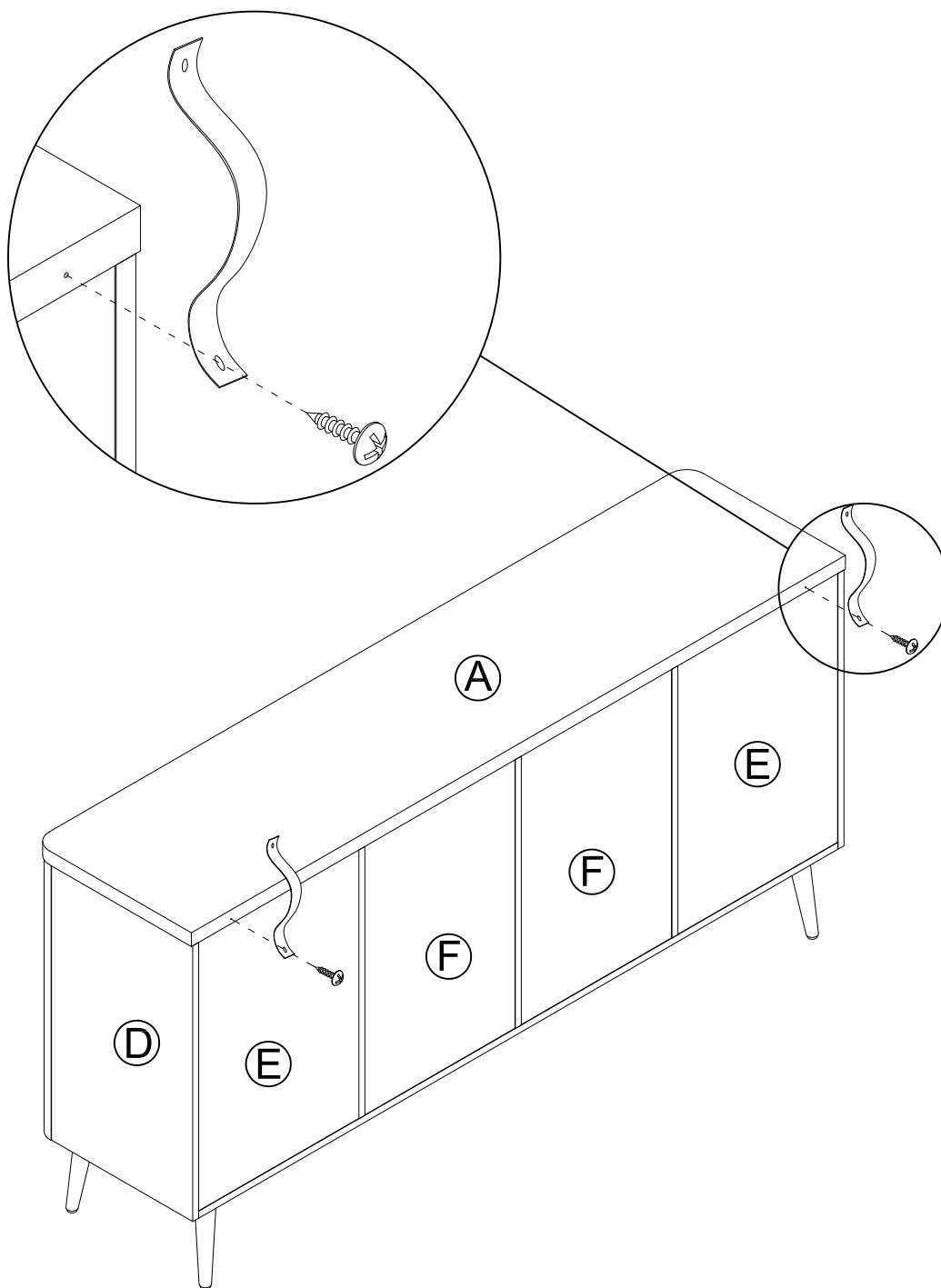
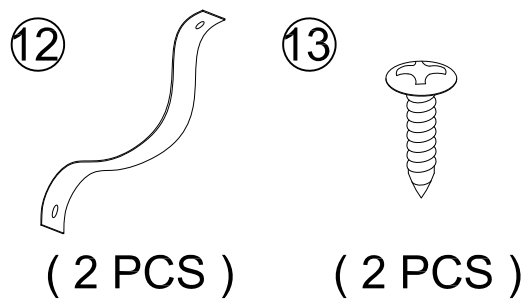
Step 16:

* Fasten the Four DOOR PULL (10) to the Three DOOR (K) and One DOOR (L)
USE Eight BOLTS (11).



Step 17:

* Attach anti-tipping straps to the back of the stand.



Step 18:

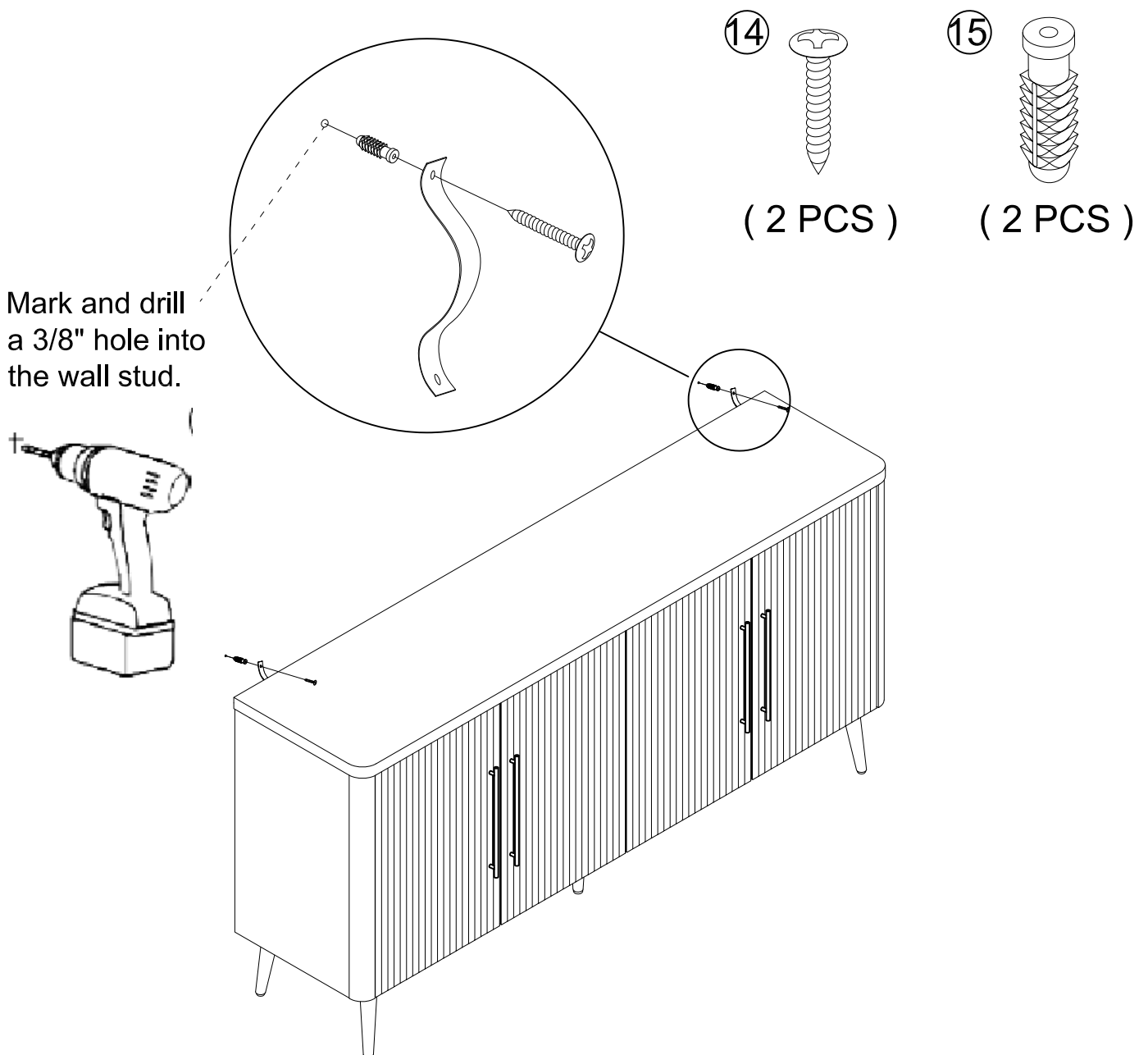
1st- With your pencil, strike a mark through the center of the hole in the SAFETY STRAP.

2nd- Drill a 3/8" hole on the mark.

3rd- FURNITURE TIPPING RESTRAINT KIT (15) into the hole until it is even with the surface of the wall.

4th- Turn the LONG SCREW through the hole in the SAFETY STRAP and into the WALL ANCHOR.

NOTE: You will need to turn the LONG SCREW multiple turns to completely tighten and secure your unit.





WARRANTY POLICY

All Manhattan Comfort furniture products are warranted, to the original purchaser at the time of purchase and for a period of 30 days thereafter.

Our warranty is limited to new products purchased in factory sealed cartons. This warranty is valid in the United States of America and Canada.

In order to provide you with timely assistance, please thoroughly inspect your furniture for missing or defective parts immediately after opening the carton.

Manhattan Comfort offers a 30-day parts replacement warranty on all items.

Our furniture products are not intended for outdoor use.

THE WARRANTY DOES NOT COVER:

- Defects/damages by improper assembly or disassembly.
- Defects/damages caused by shipping. Claims for damage during transit should be placed immediately to the transportation company.
- Defects/damages caused by inappropriate use of the furniture.



319 Ridge Rd. Dayton, NJ 08810

908-888-0818