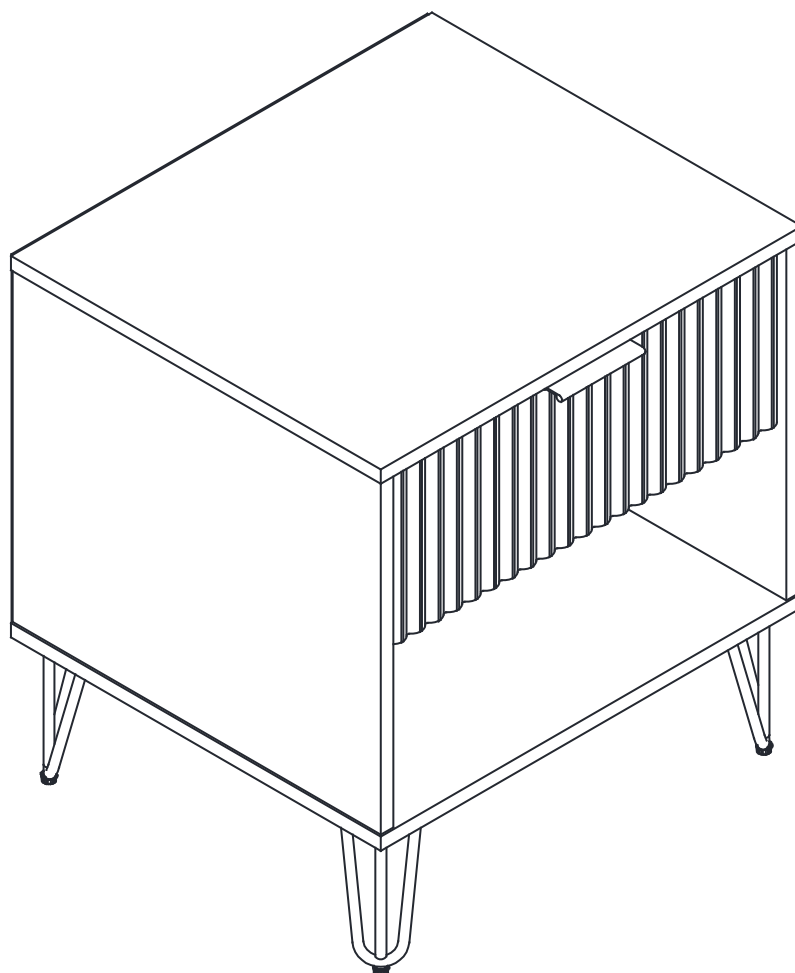




MANHATTAN  
COMFORT

---

**NS001**



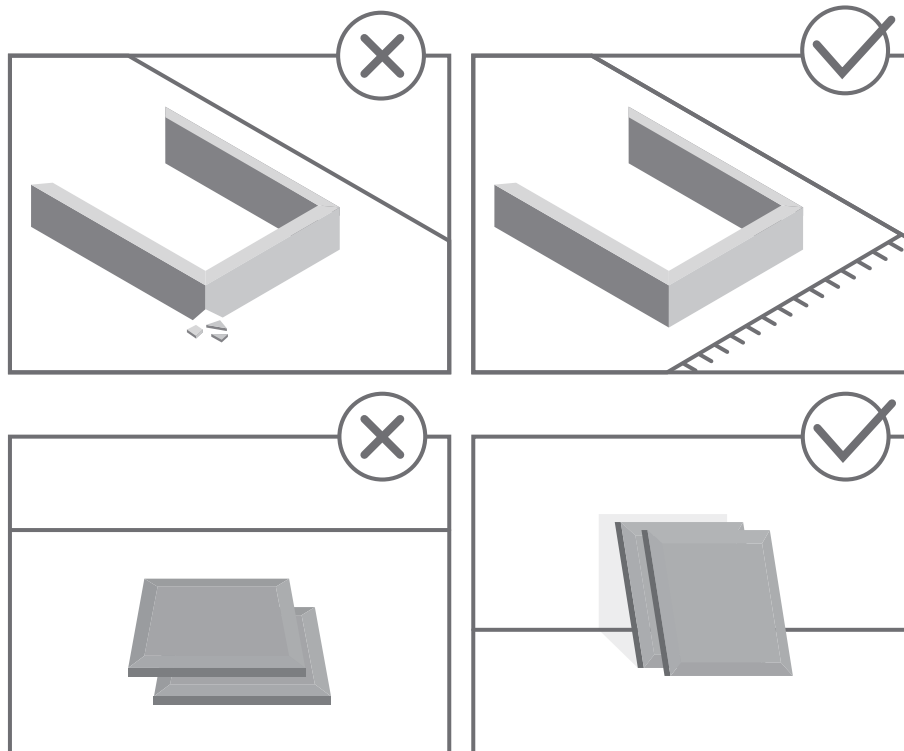


# STOP!

Before beginning the assembly process, ensure all boxes and parts have been delivered.

## FOR BEST RESULTS:

- Do not throw away packaging materials until assembly is complete.
- Assemble item on a soft surface, such as cardboard or carpet, to protect finish.
- Proper assembly requires two people.



View our assembly video online:  
[WWW.MANHATTANCOMFORT.COM](http://WWW.MANHATTANCOMFORT.COM)



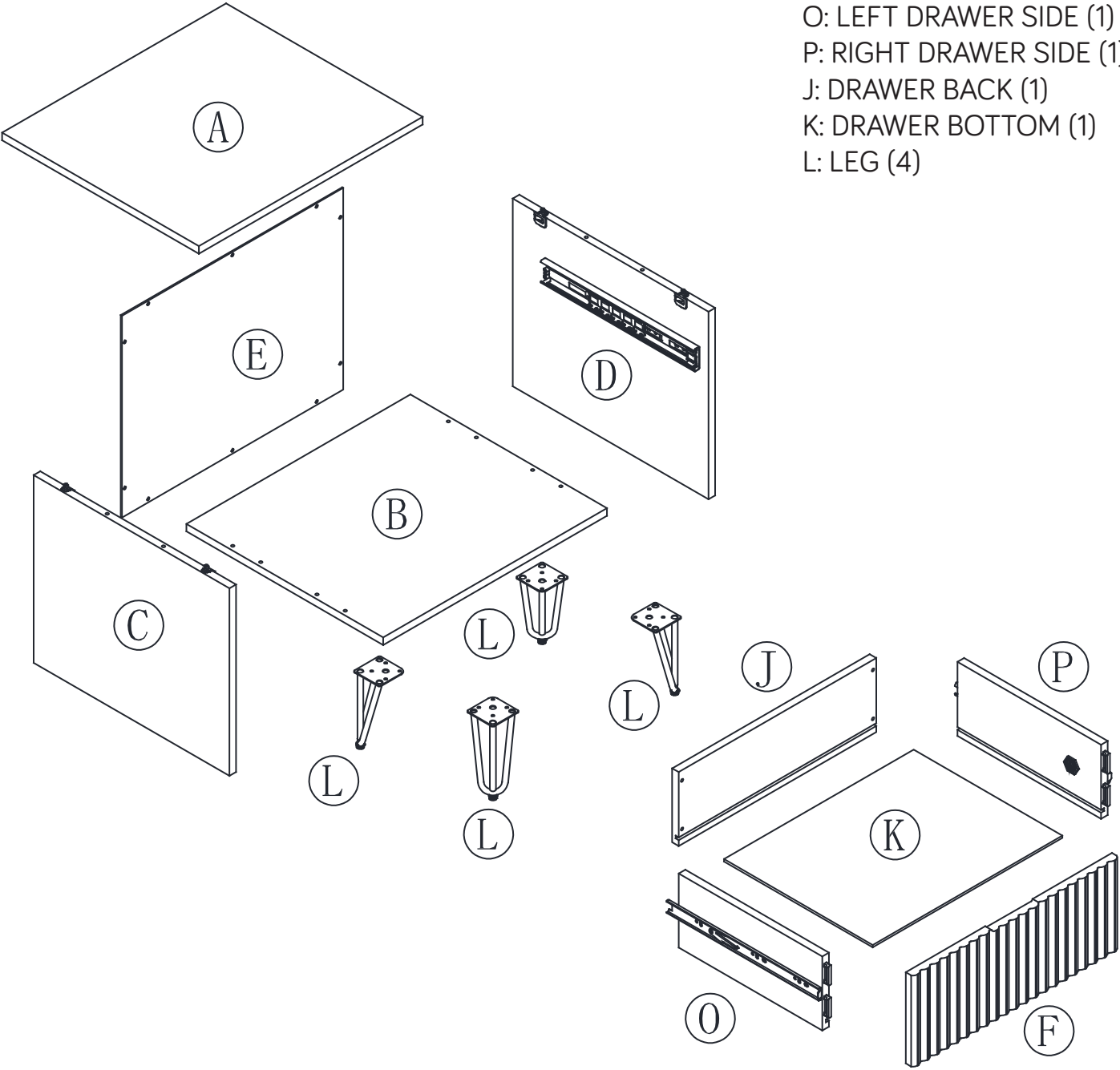
Stuck? Question? We are here to help.  
tel: 908-888-0818  
e-mail: [help@manhattancomfort.com](mailto:help@manhattancomfort.com)

Support Site



# Included in this package:

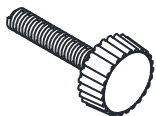
- A: TOP (1)
- B: BOTTOM (1)
- C: LEFT END (1)
- D: RIGHT END (1)
- E: BACK (1)
- F: DRAWER FRONT (1)
- O: LEFT DRAWER SIDE (1)
- P: RIGHT DRAWER SIDE (1)
- J: DRAWER BACK (1)
- K: DRAWER BOTTOM (1)
- L: LEG (4)



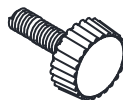
# Hardware Identification

---

① BOLT - 8pcs  
M4\*30mm



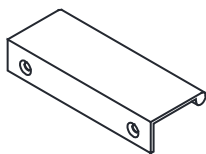
② BOLT - 28pcs  
M4\*12mm

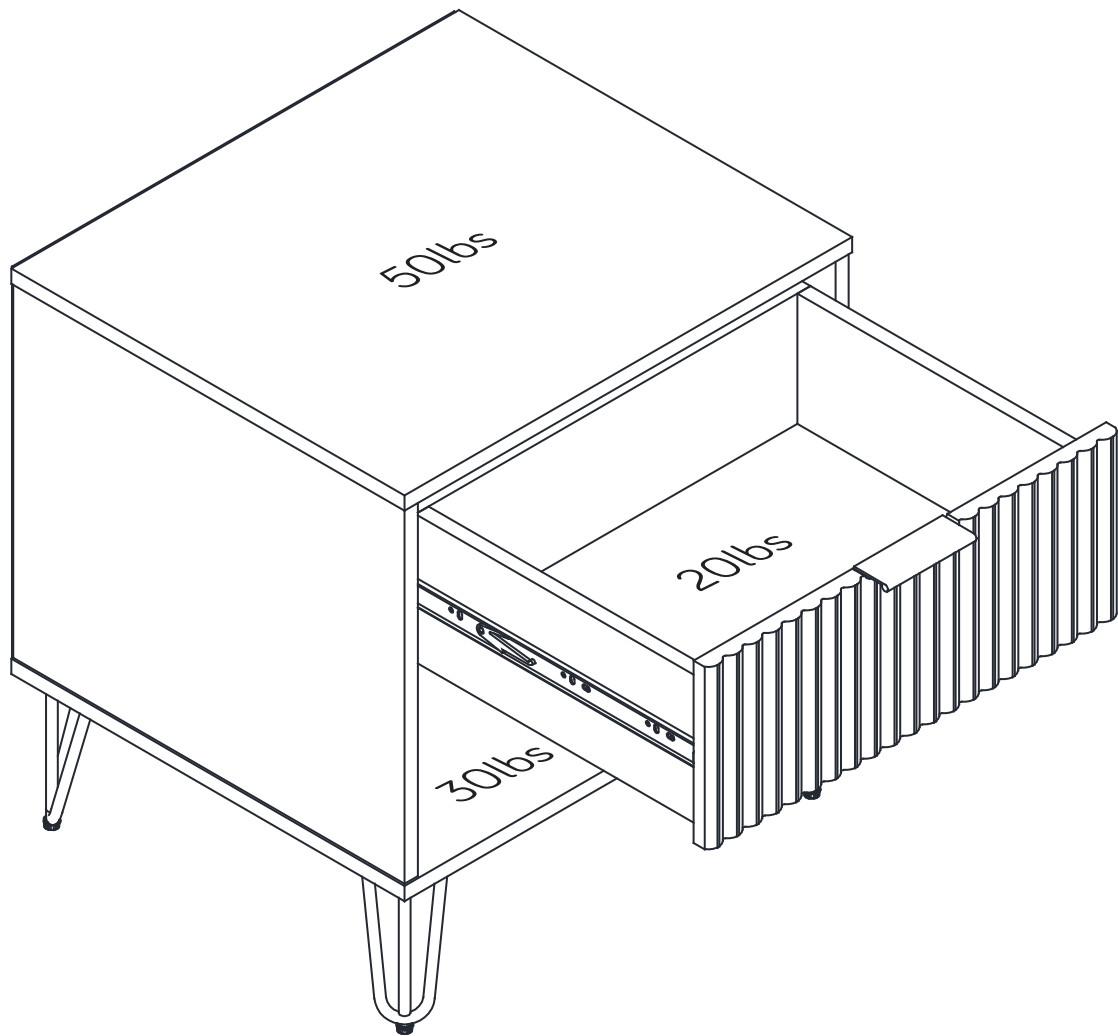


③ WOOD DOWEL - 8pcs  
Ø6\*30mm



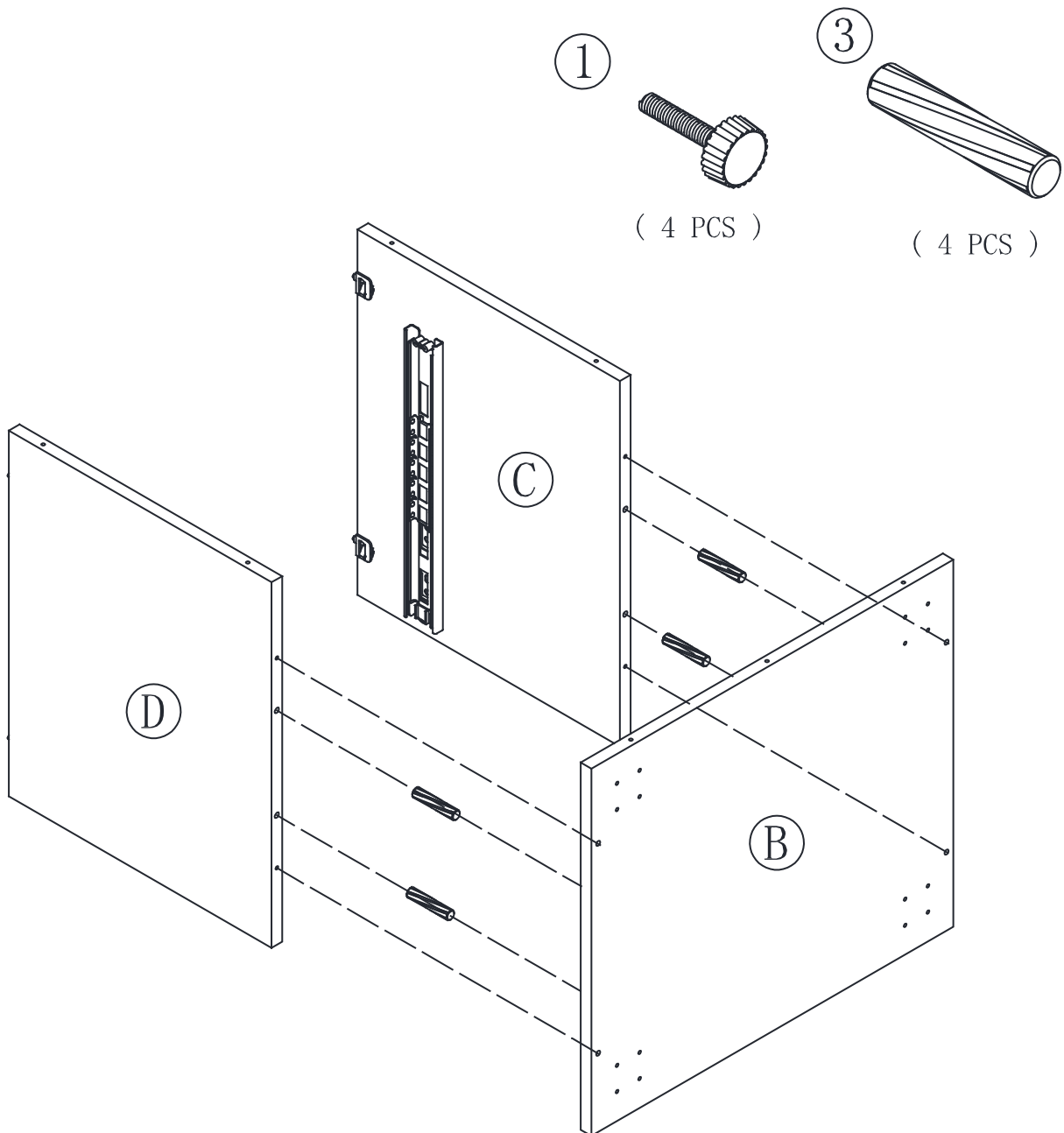
④ PULL - 1pc





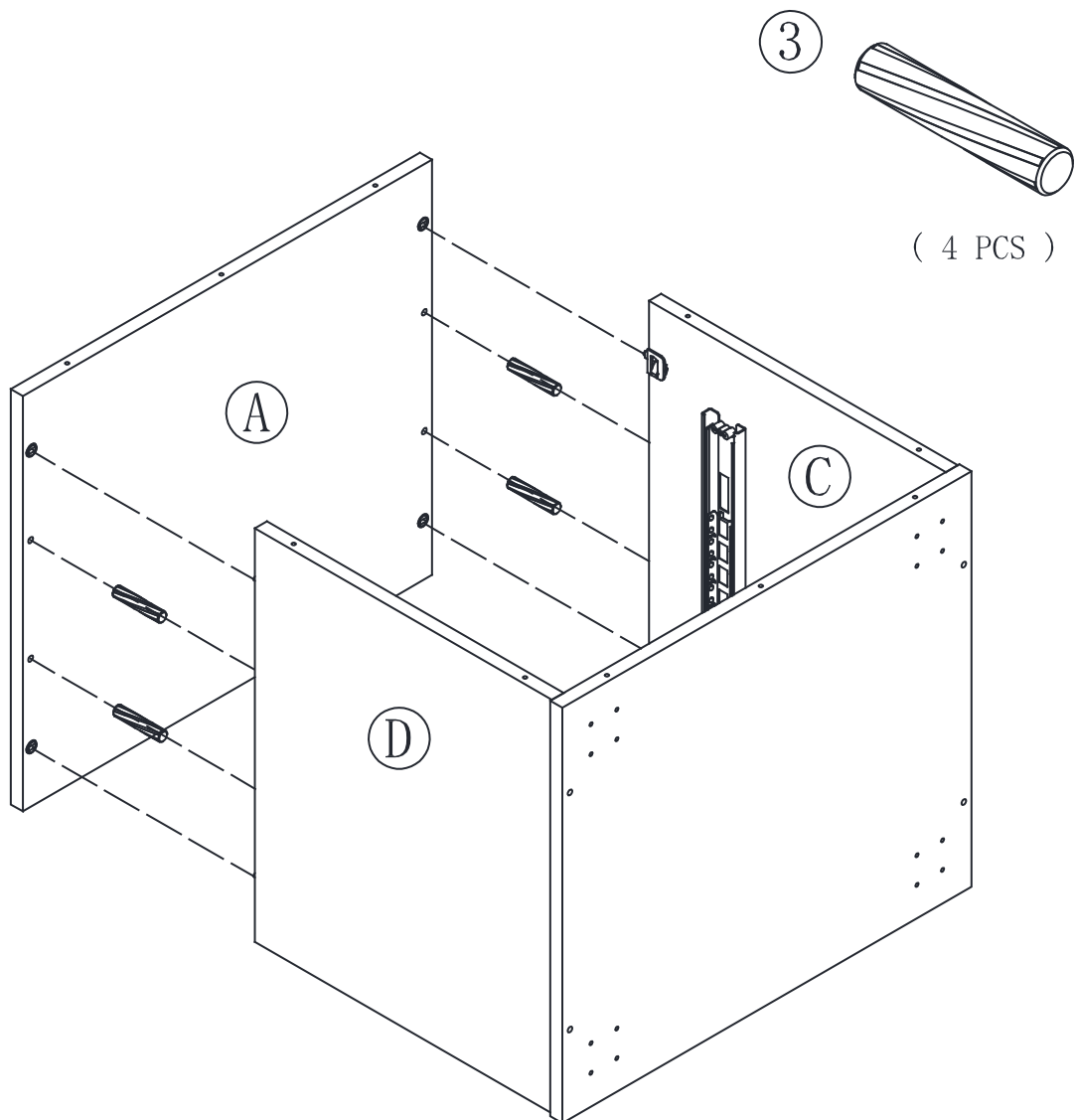
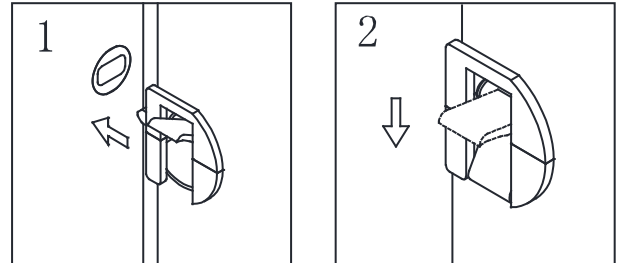
# Step 1

- ◆ Insert four WOOD DOWELS (3) to the BOTTOM (B).
- ◆ Attach the BOTTOM (B) to the ENDS ( C and D), fasten the BOTTOM (B) by using four BOLTS (1).



# Step 2

- ◆ Insert four WOOD DOWELS (3) to the TOP (A).
- ◆ Attach the TOP (A) to the ENDS (C and D), tighten four PLASTIC CAM LOCKS.



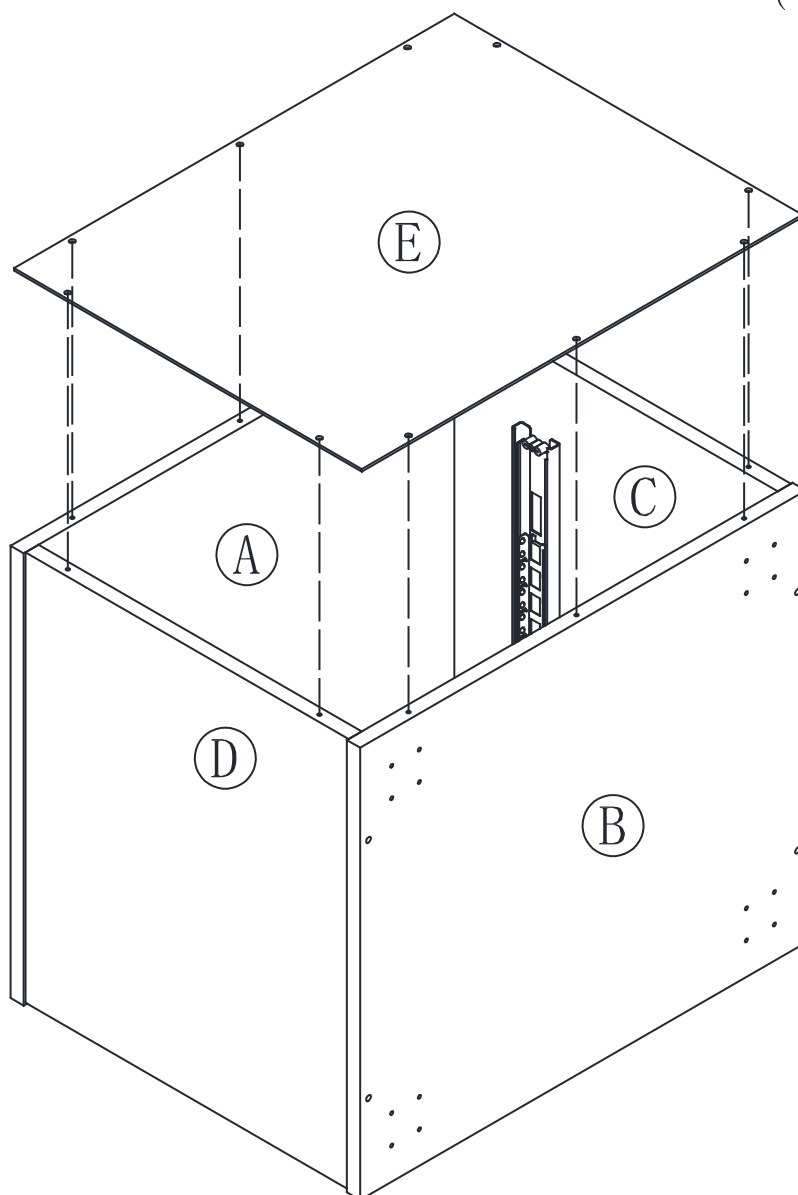
# Step 3

- ◆ Fasten the BACK (E) to the TOP (A), ENDS (C and D) and the BOTTOM (B) by using ten BOLTS (2).
- ◆ You should start each BOLT a few turns before completely tightening any of them.

②



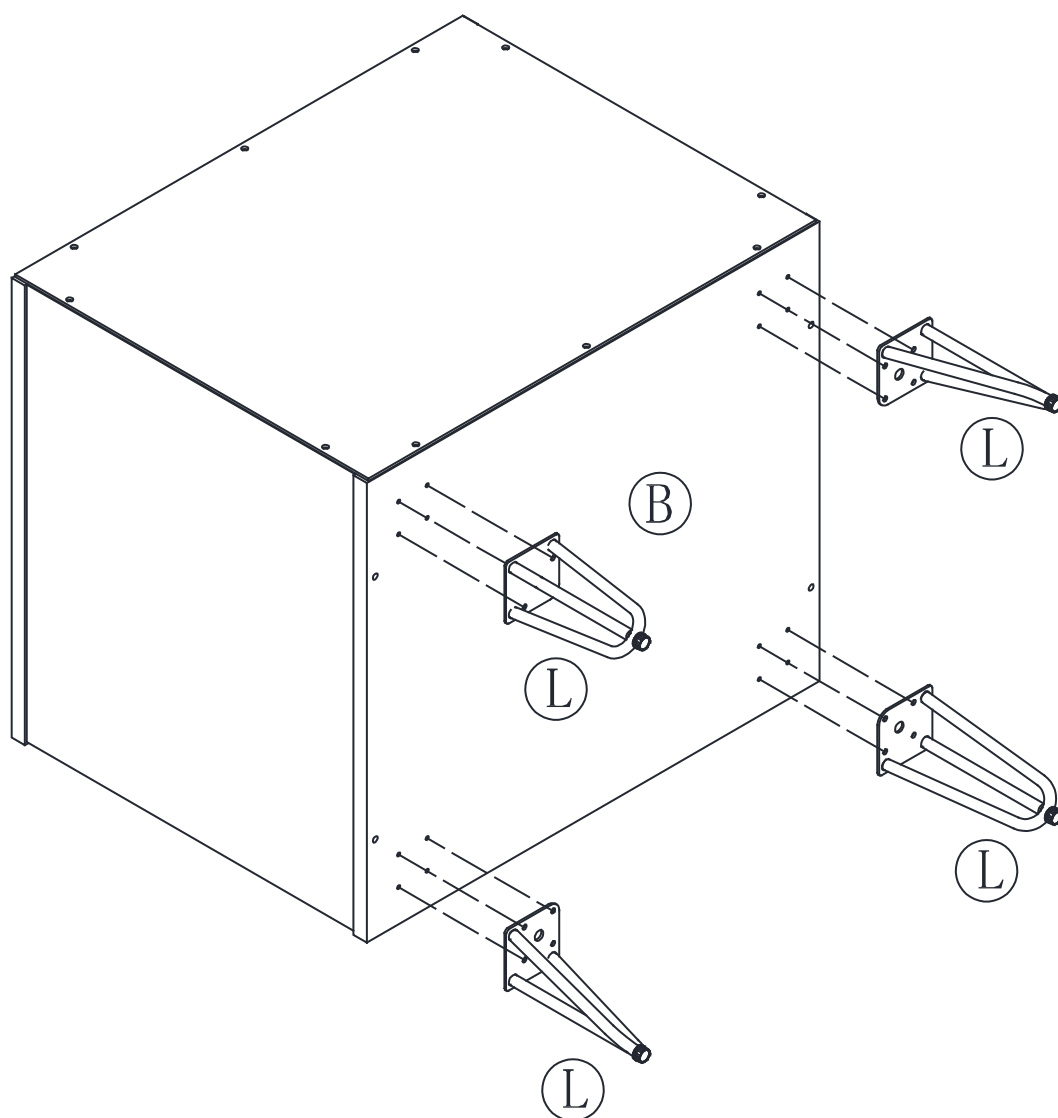
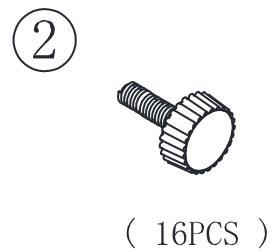
( 10 PCS )





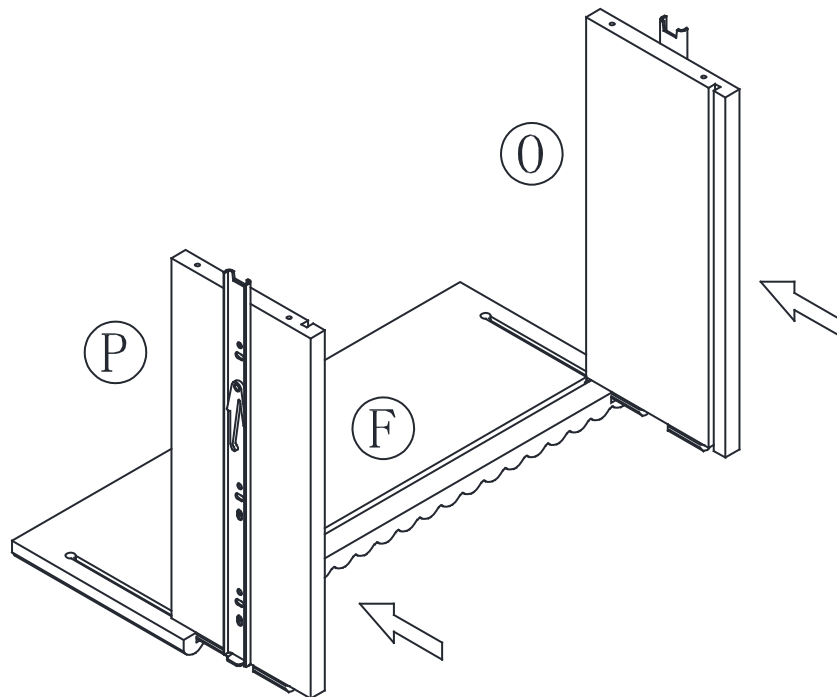
# Step 4

◆ Fasten the LEGS (L) to the BOTTOM (B) by using sixteen BOLTS (2).

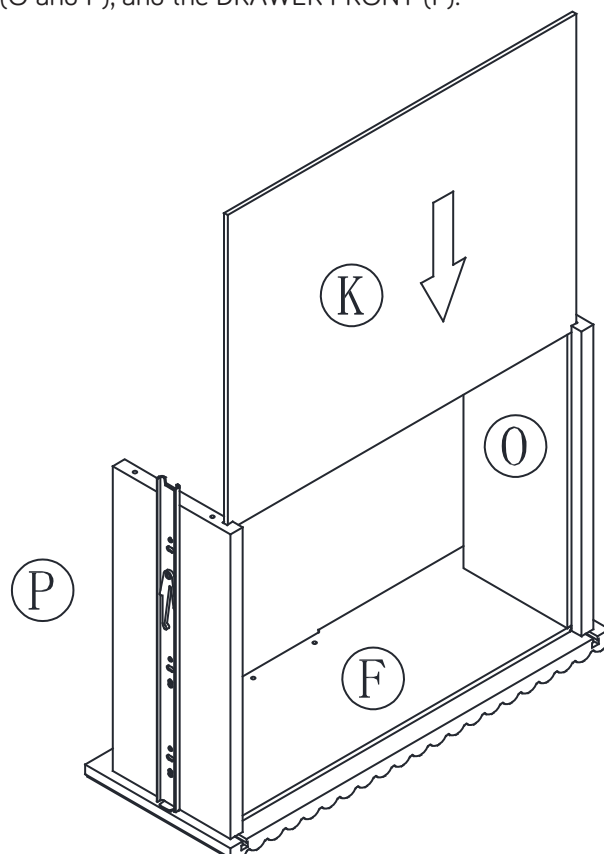


# Step 5

- ◆ Attach the DRAWER SIDES (O and P) to the DRAWER FRONT (F), slide the PLASTIC CONNECTIONS to the grooves.

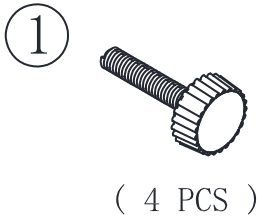
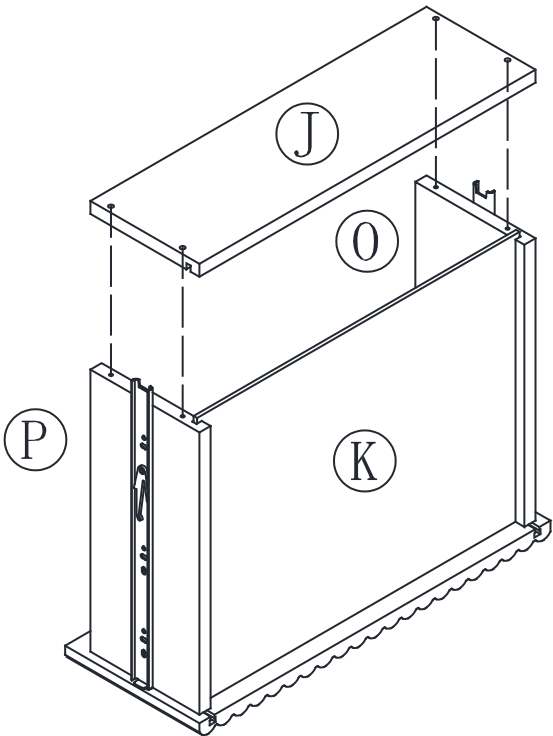


- ◆ Slide the DRAWER BOTTOM (K) into the grooves, in the DRAWER SIDES (O and P), and the DRAWER FRONT (F).

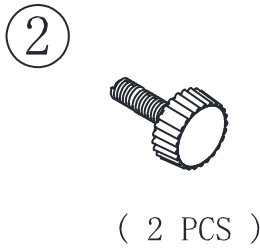
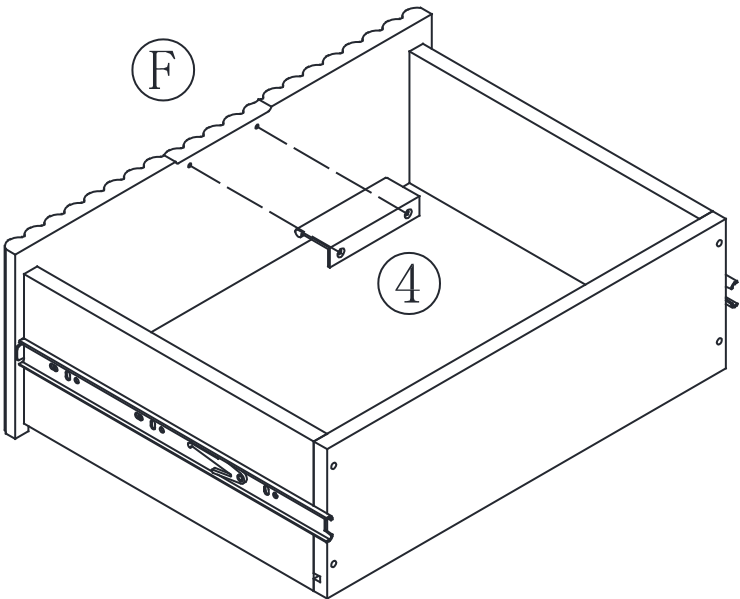


# Step 6

◆ Fasten the DRAWER BACK (J) to the DRAWER SIDES ( O and P ) by using four BOLTS (1).

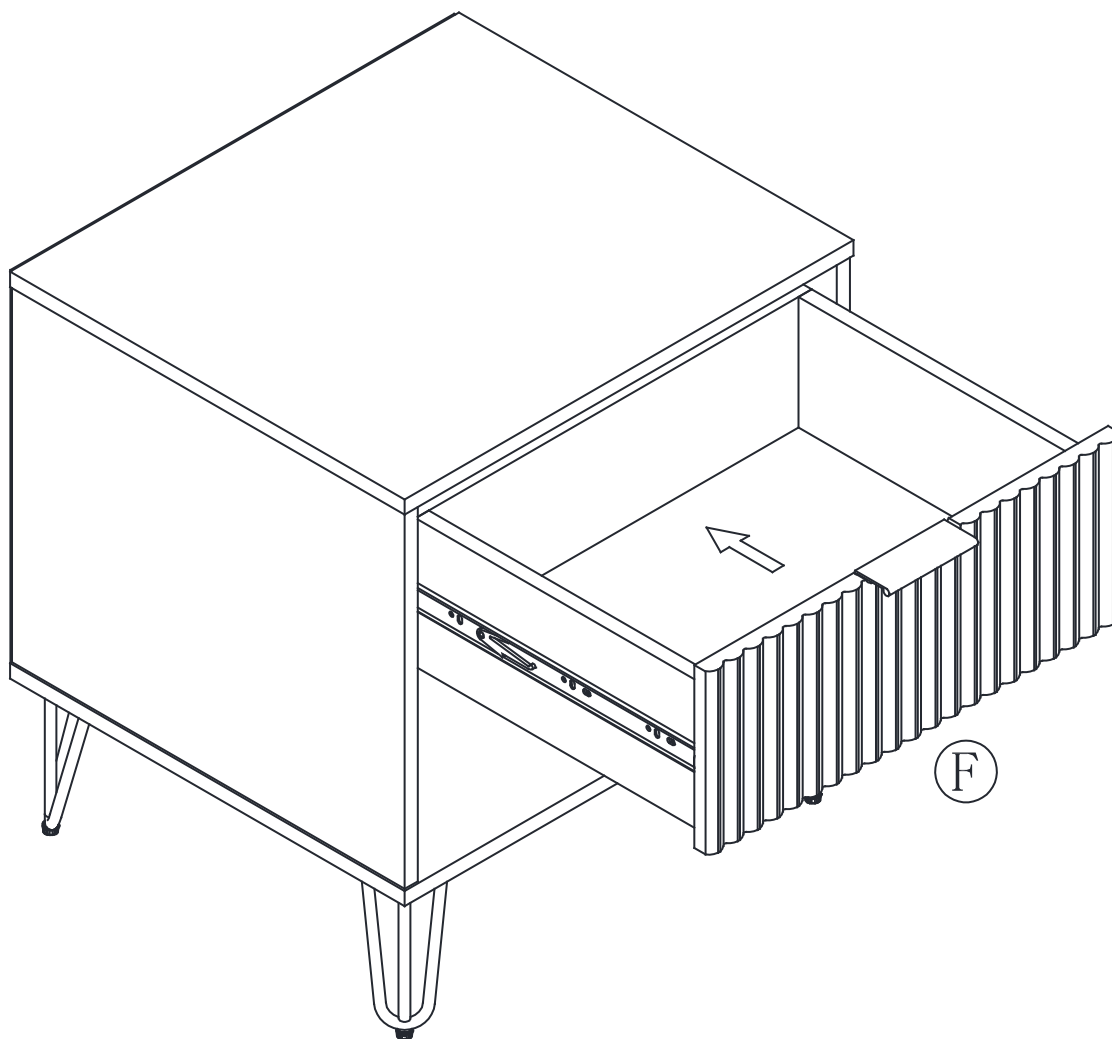
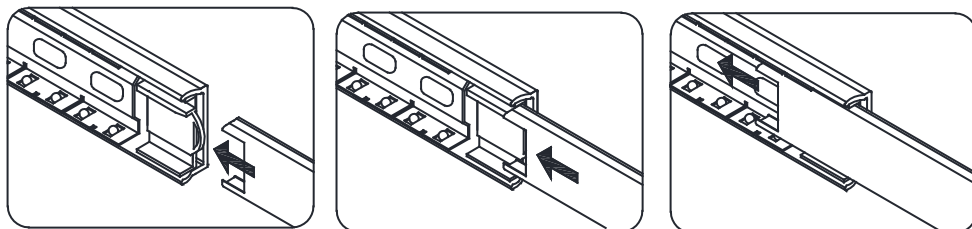


◆ Use two BOLTS (2) to fasten the PULL (4) to DRAWER FRONT (F).



# Step 7

- To insert the DRAWER into your unit, line up the EXTENSION SLIDES on the drawer with the EXTENSION RAILS on the unit and push the drawer into the unit until the drawer is fully inserted. The drawer should push in hard until it is all the way in, then it will slide in and out easier.





MANHATTAN  
COMFORT

---

## **WARRANTY POLICY**

All Manhattan Comfort furniture products are warranted, to the original purchaser at the time of purchase and for a period of 30 days thereafter.

Our warranty is limited to new products purchased in factory sealed cartons. This warranty is valid in the United States of America and Canada.

In order to provide you with timely assistance, please thoroughly inspect your furniture for missing or defective parts immediately after opening the carton.

Manhattan Comfort offers a 30-day parts replacement warranty on all items.

Our furniture products are not intended for outdoor use.

### THE WARRANTY DOES NOT COVER:

- Defects/damages by improper assembly or disassembly.
- Defects/damages caused by shipping. Claims for damage during transit should be placed immediately to the transportation company.
- Defects/damages caused by inappropriate use of the furniture.



319 Ridge Rd. Dayton, NJ 08810

908-888-0818