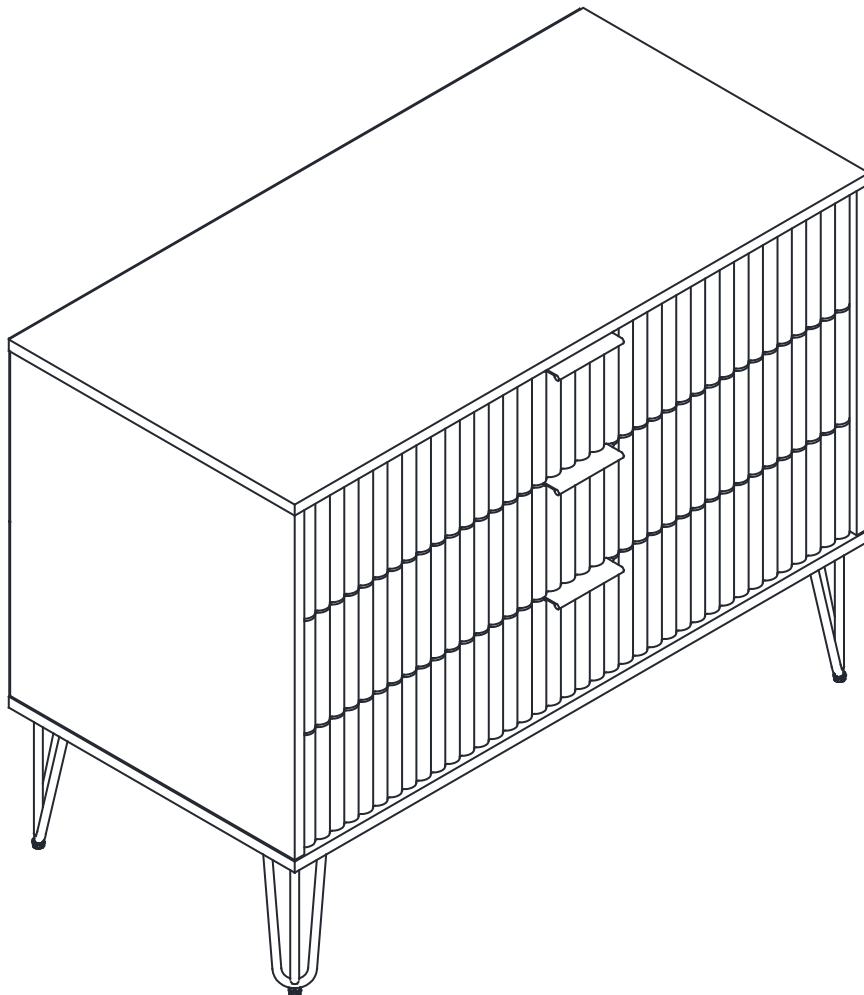




MANHATTAN
COMFORT

DR001



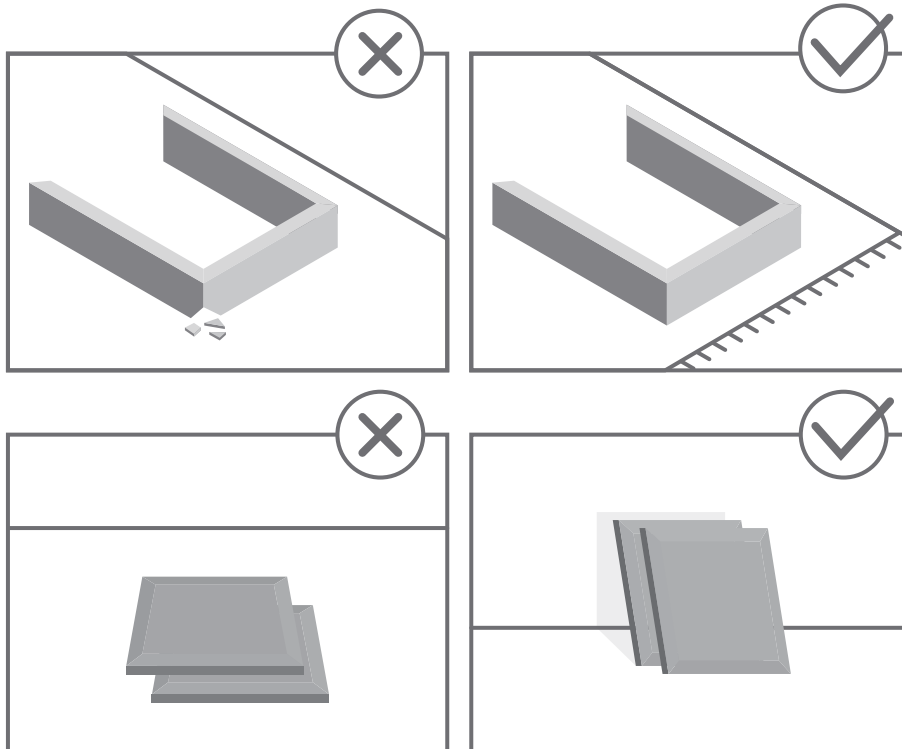


STOP!

Before beginning the assembly process, ensure all boxes and parts have been delivered.

FOR BEST RESULTS:

- Do not throw away packaging materials until assembly is complete.
- Assemble item on a soft surface, such as cardboard or carpet, to protect finish.
- Proper assembly requires two people.



View our assembly video online:
WWW.MANHATTANCOMFORT.COM



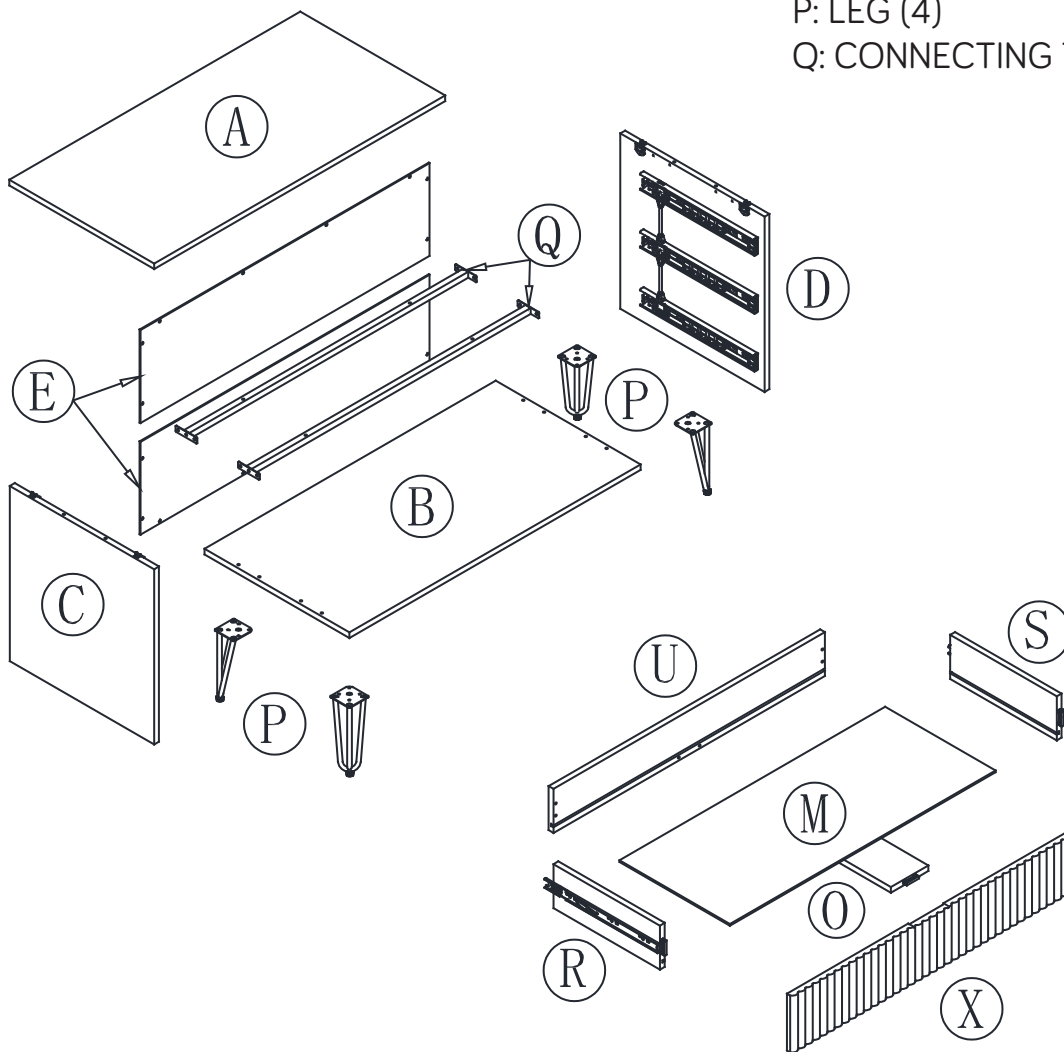
Stuck? Question? We are here to help.
tel: 908-888-0818
e-mail: help@manhattancomfort.com

Support Site



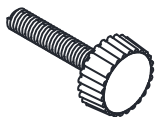
Included in this package:

- A: TOP (1)
- B: BOTTOM (1)
- C: LEFT END (1)
- D: RIGHT END (1)
- E: BACK (2)
- X: DRAWER FRONT (3)
- R: DRAWER SIDE LEFT (3)
- S: DRAWER SIDE RIGHT (3)
- U: DRAWER BACK (3)
- M: DRAWER BOTTOM (3)
- O: DRAWER BOTTOM SUPPORT (3)
- P: LEG (4)
- Q: CONNECTING TUBE (2)

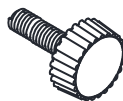


Hardware Identification

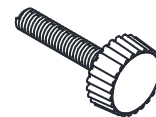
① BOLT - 22pcs
M4*30mm



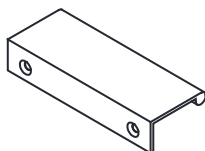
② BOLT - 46pcs
M4*12mm



③ BOLT - 4pcs
M4*25mm

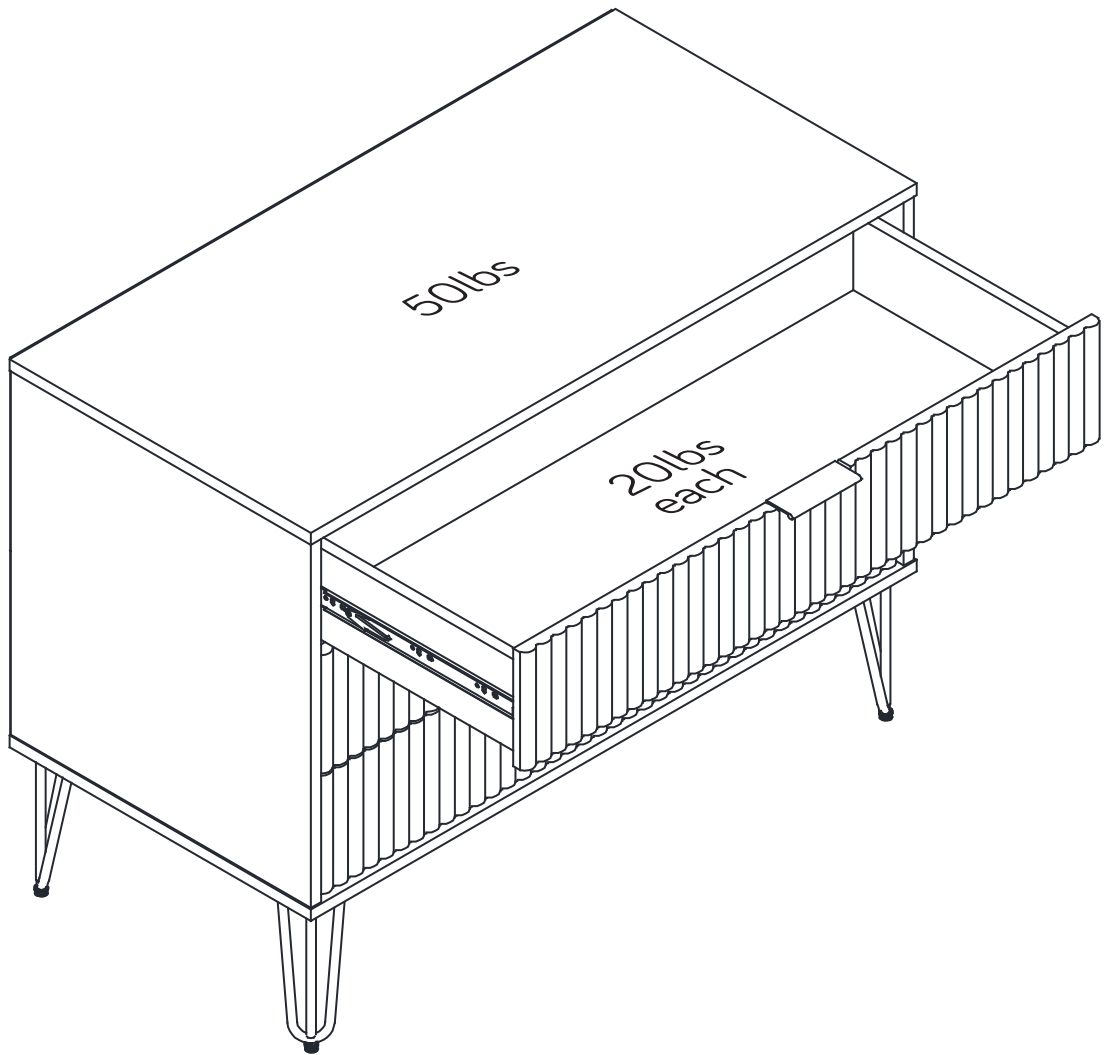


④ PULL - 3pcs



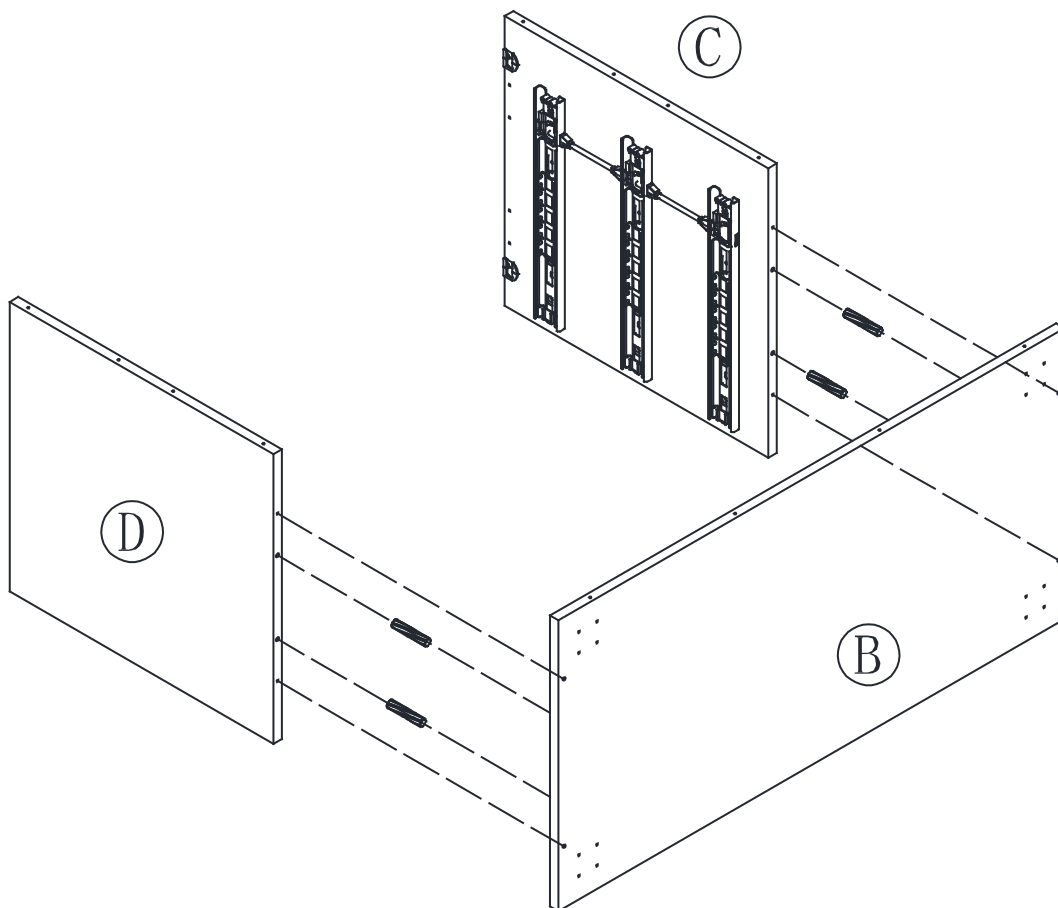
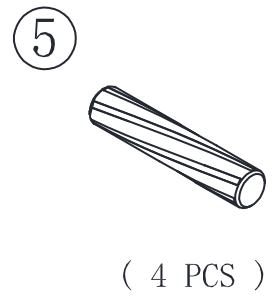
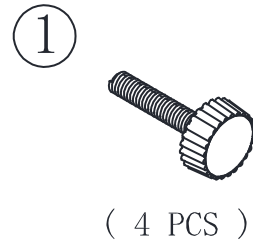
⑤ WOOD DOWEL - 8pcs
Ø6*30mm





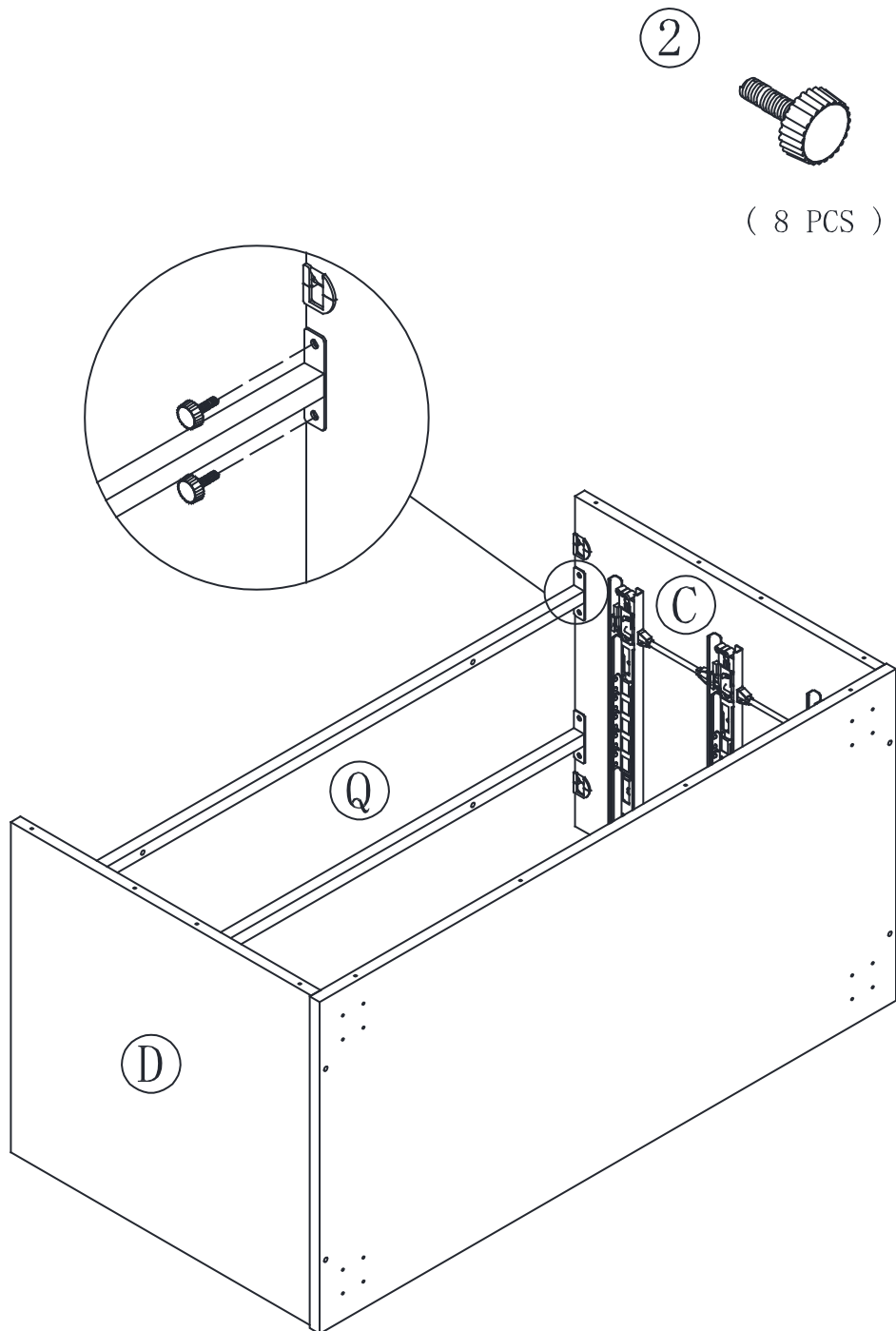
Step 1

- ◆ Insert four WOOD DOWELS (5) to the BOTTOM (B).
- ◆ Attach the BOTTOM (B) to the ENDS (C and D), fasten the BOTTOM (B) by using four BOLTS (1).



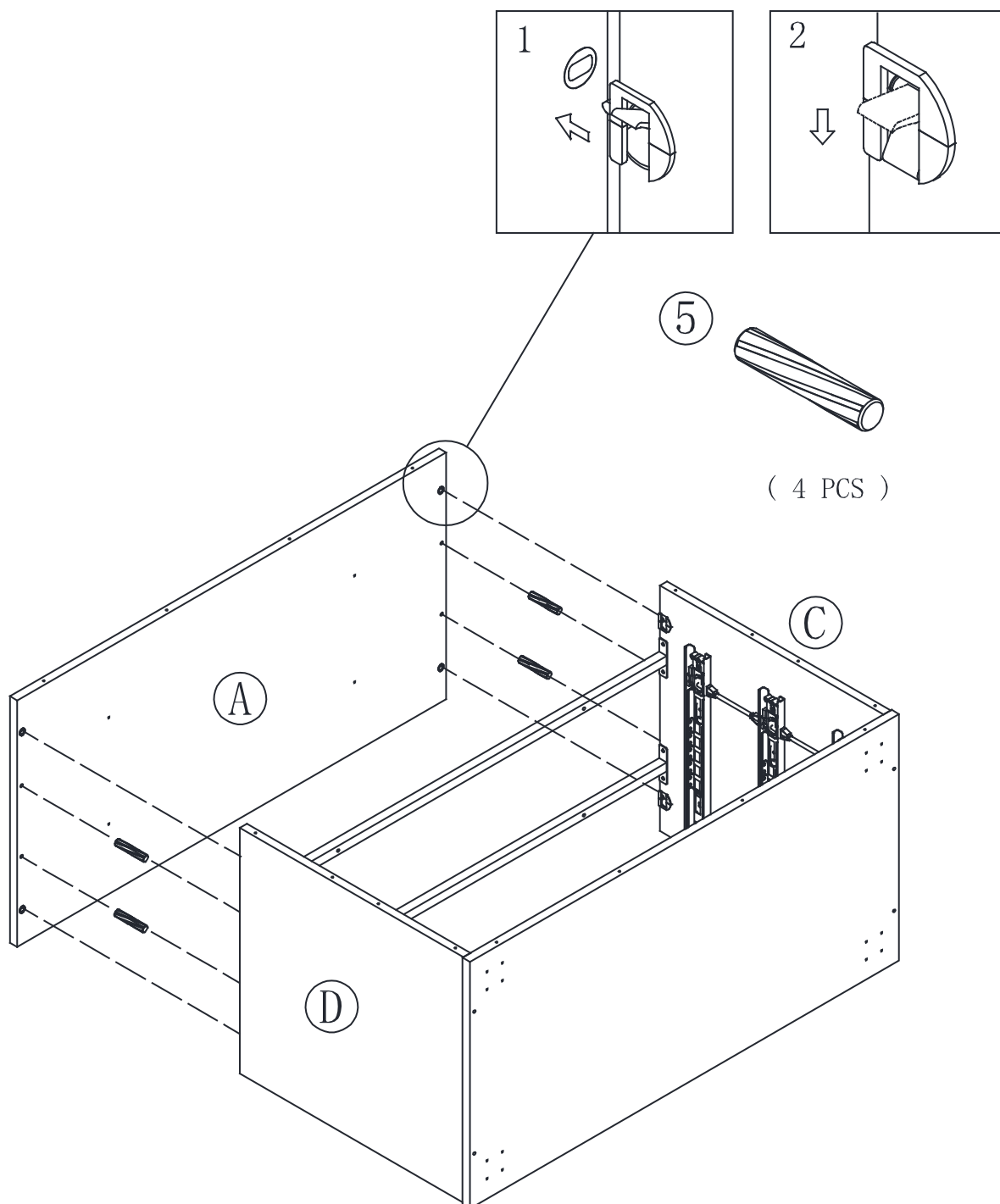
Step 2

- ◆ Attach the two CONNECTING TUBE (Q) to ENDS (C and D) by using eight BOLTS (2).



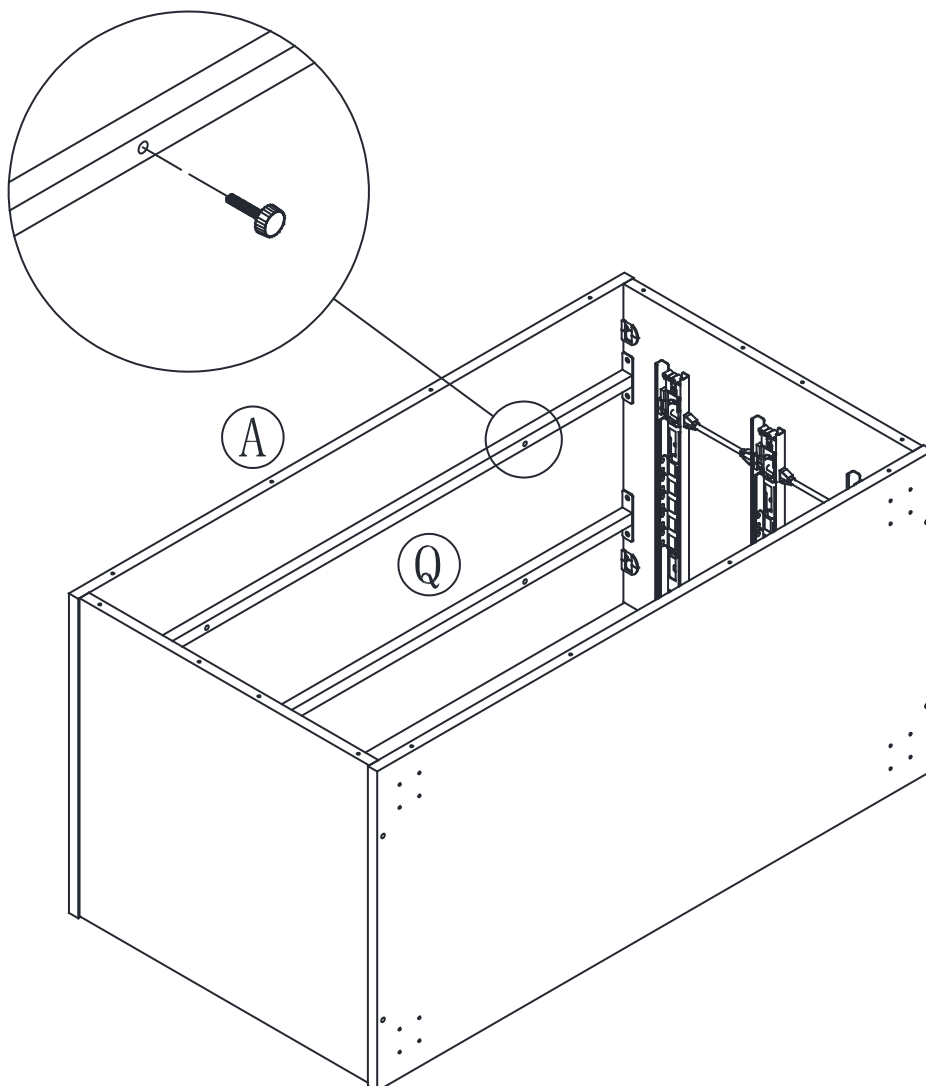
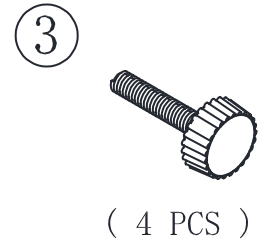
Step 3

- ◆ Insert four WOOD DOWELS (5) to the TOP (A).
- ◆ Attach the TOP (A) to the ENDS (C and D), tighten four PLASTIC CAM LOCKS.



Step 4

◆ Fasten the two CONNECTING TUBE (Q) to the TOP (A) by using four BOLTS (3).



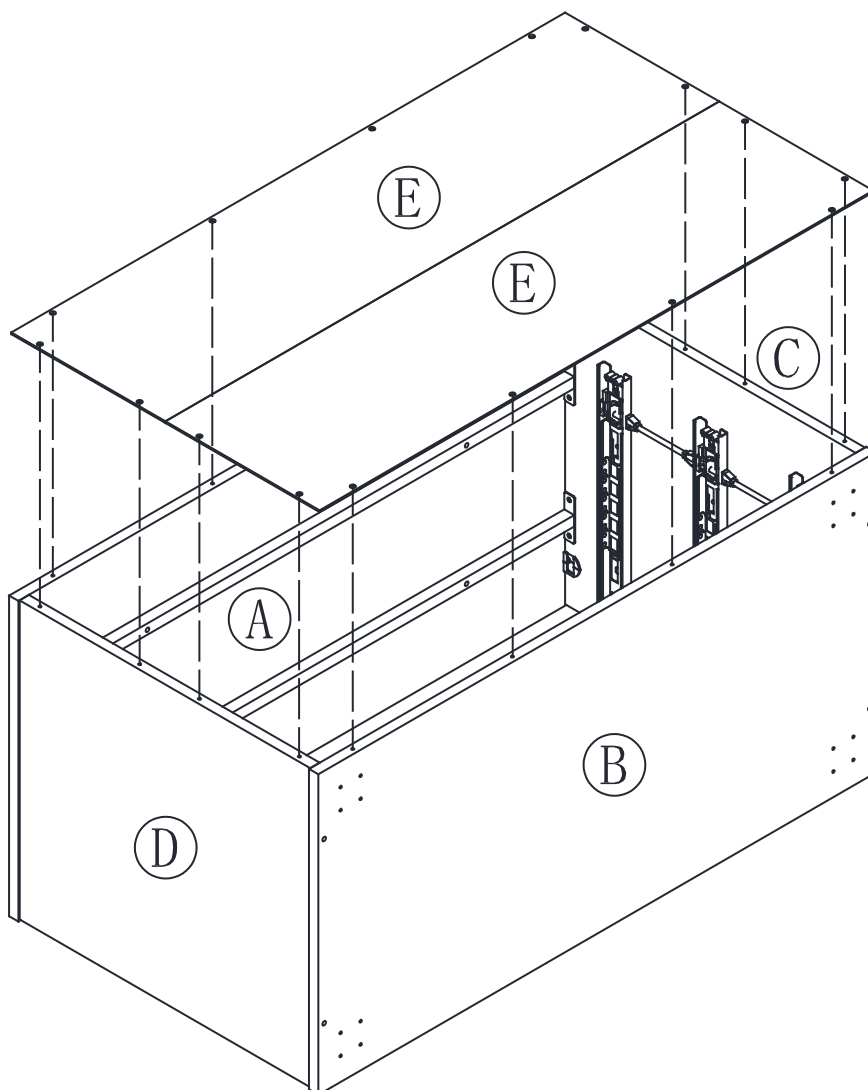
Step 5

- ◆ Fasten the BACKS (E) to the TOP (A), ENDS (C and D) and the BOTTOM (B) by using sixteen BOLTS (2).
- ◆ You should start each BOLT a few turns before completely tightening any of them.

②

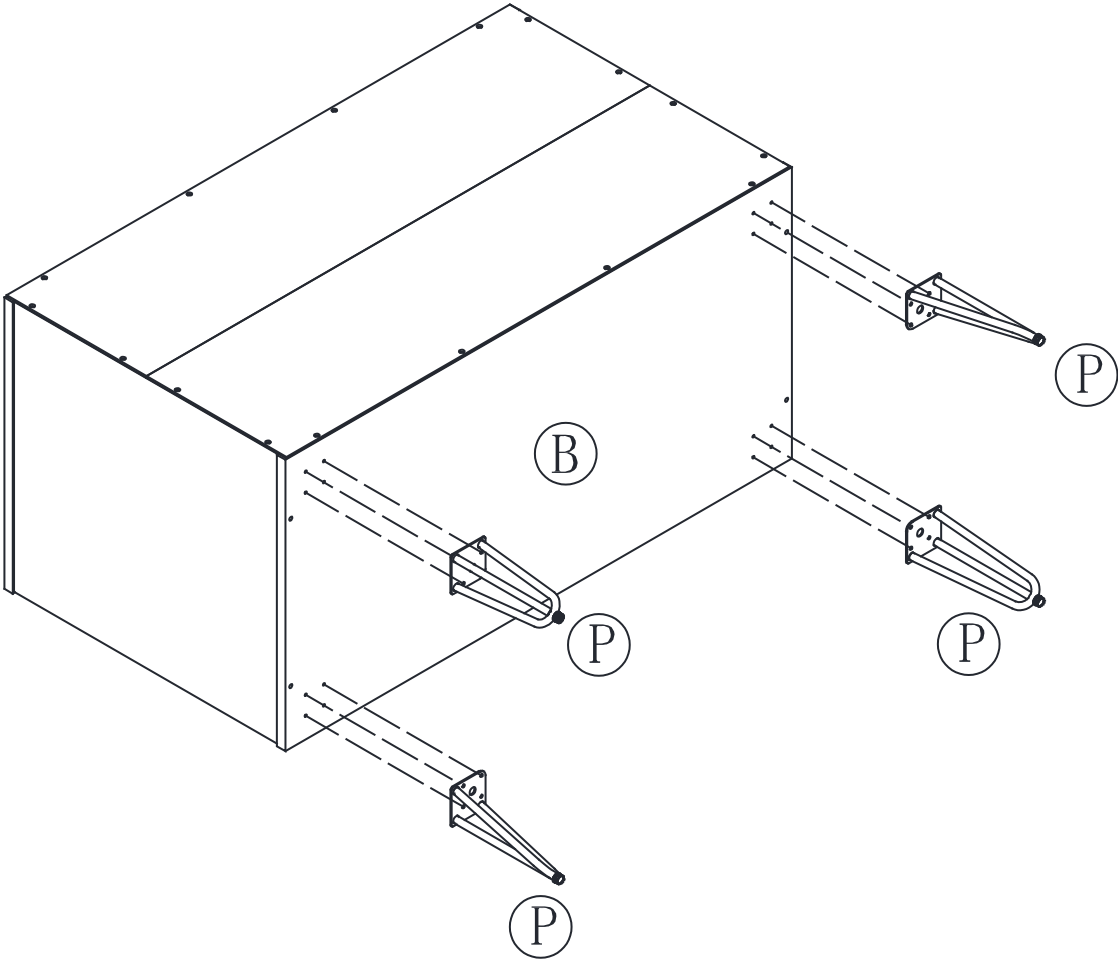
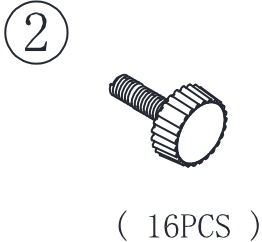


(16 PCS)



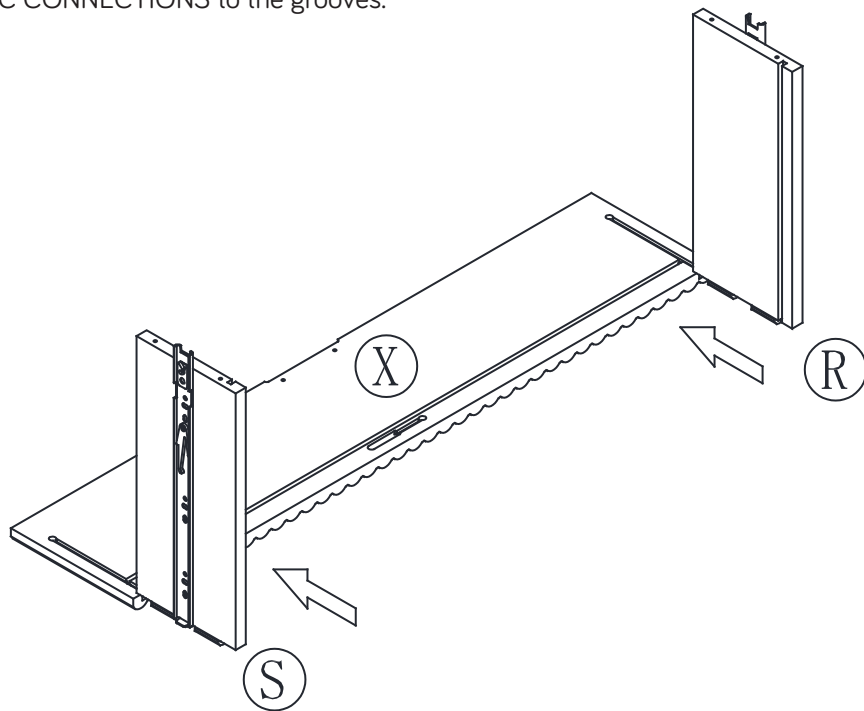
Step 6

◆ Fasten the LEGS (P) to the BOTTOM (B) by using sixteen BOLTS (2).

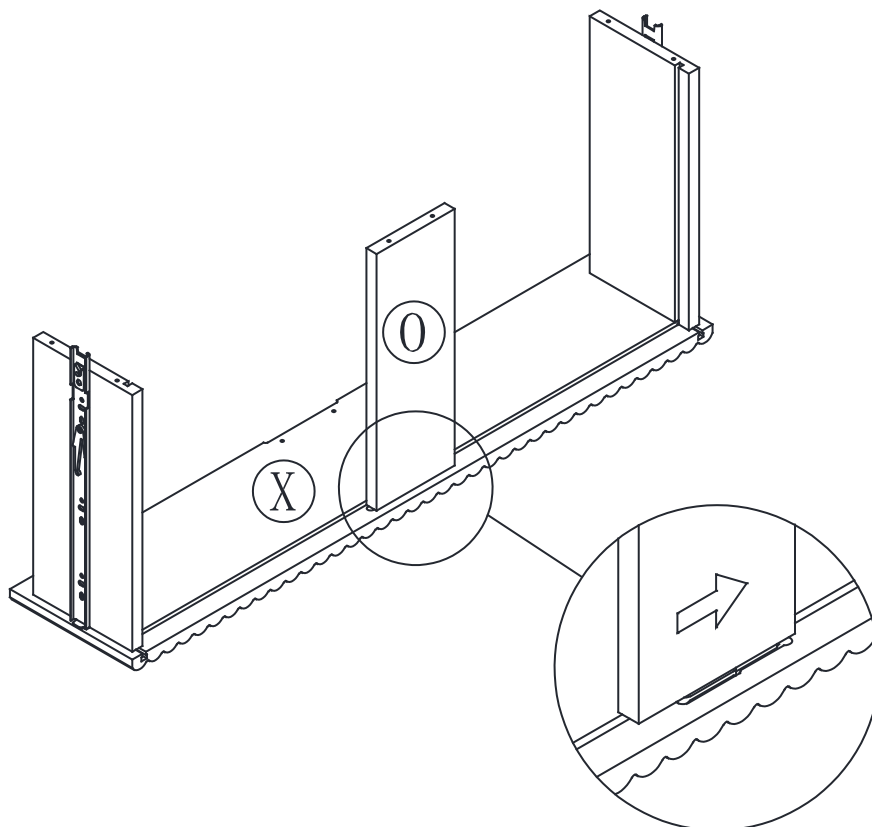


Step 7

- ◆ Attach the DRAWER SIDES (S and R) to the DRAWER FRONT (X), slide the PLASTIC CONNECTIONS to the grooves.

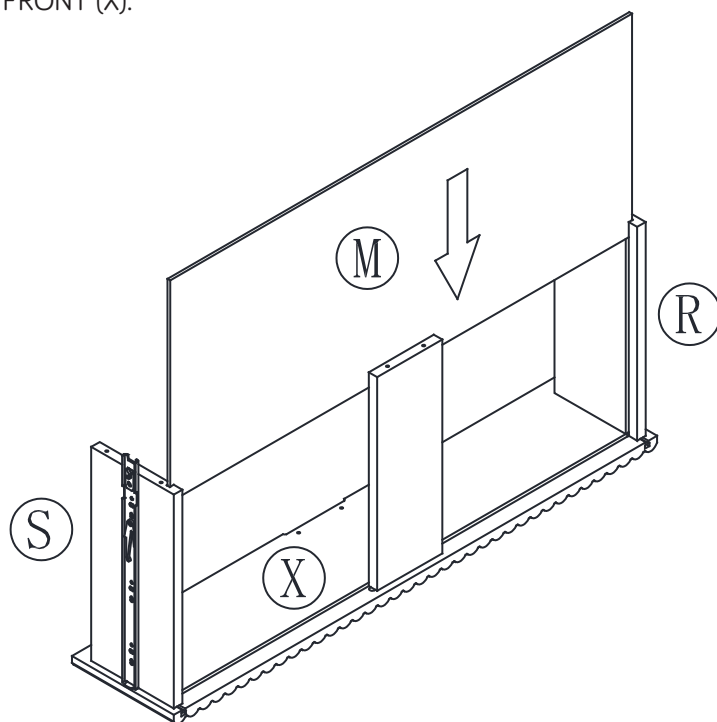


- ◆ Slot the DRAWER BOTTOM SUPPORT (O) to the DRAWER FRONT (X).



Step 8

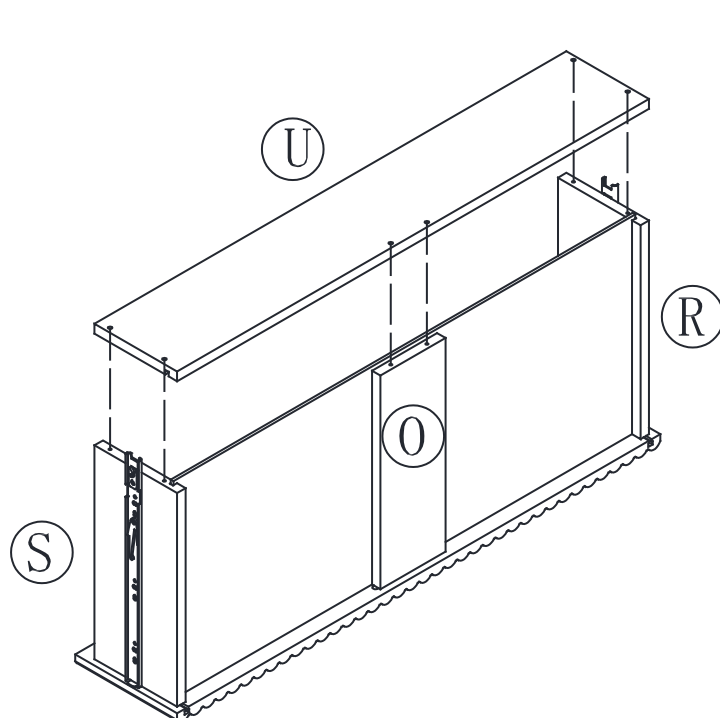
- ◆ Slide the DRAWER BOTTOM (M) into the grooves, in the DRAWER SIDES (S and R), and the DRAWER FRONT (X).



X 3

- ◆ Fasten the DRAWER BACK (U) to the DRAWER SIDES (S and R) by using six BOLTS (1).

Repeat the Step 7 and Step 8 on the other drawers.



1



(18 PCS)

X 3

Step 9

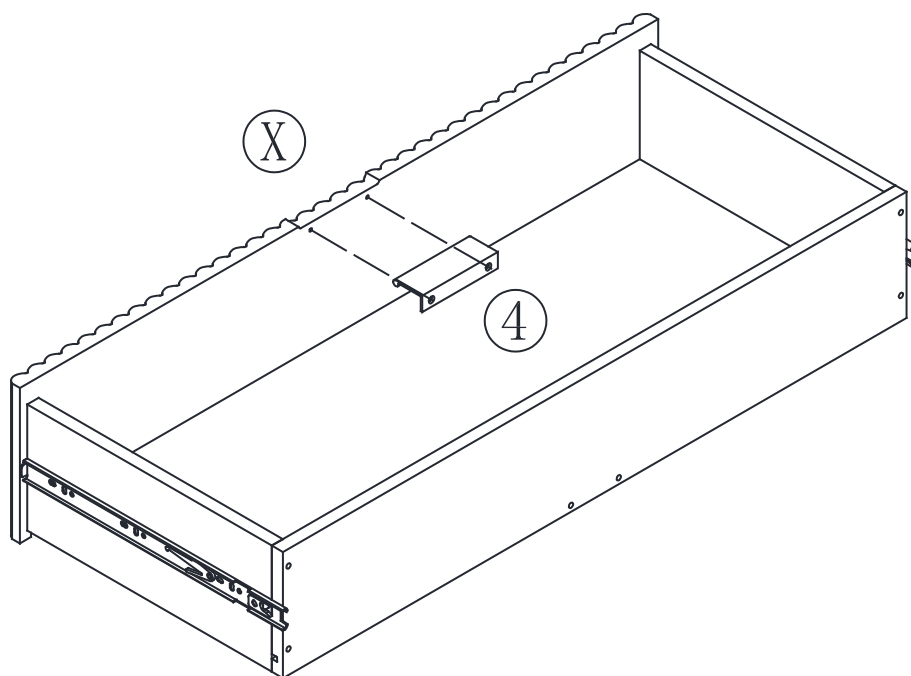
- ◆ Use two BOLTS (2) to fasten the PULL (4) to DRAWER FRONT (X).

Repeat the same on the other drawer.

②



(6PCS)



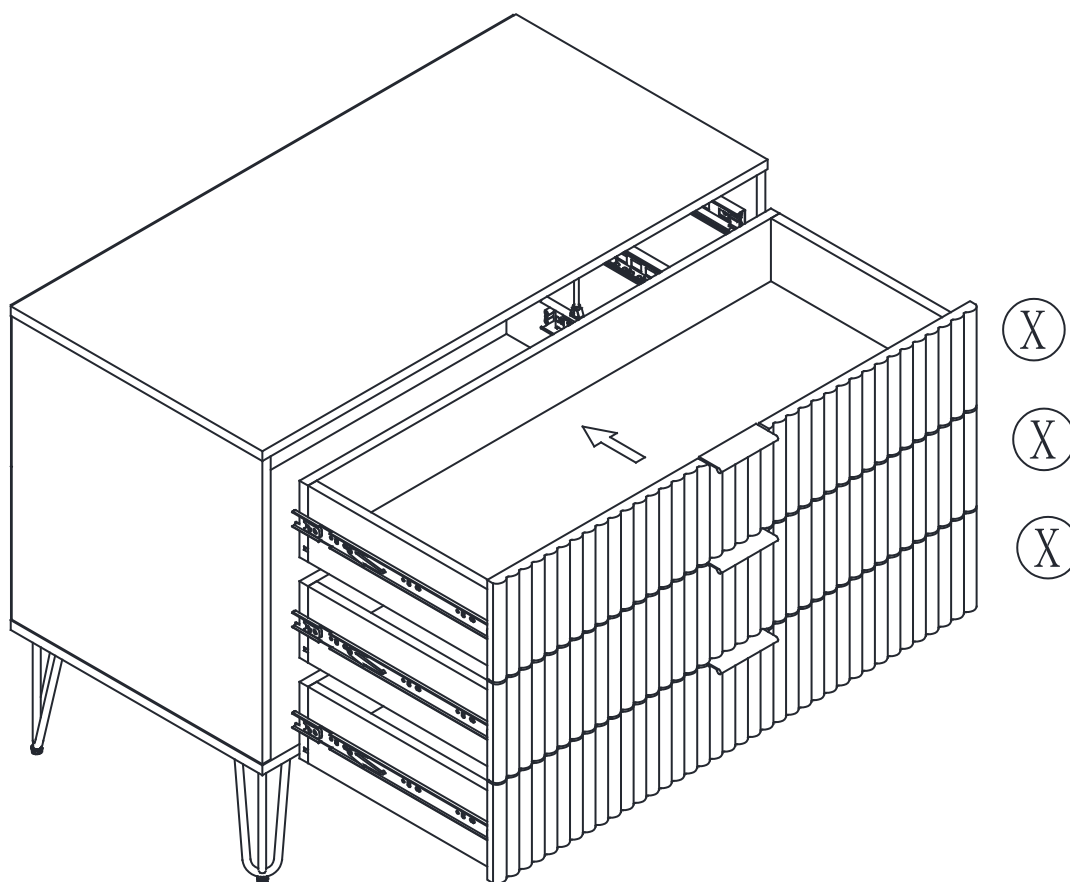
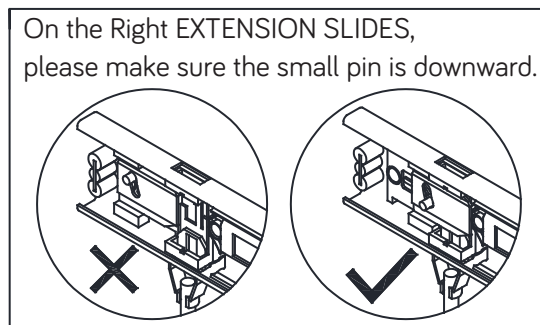
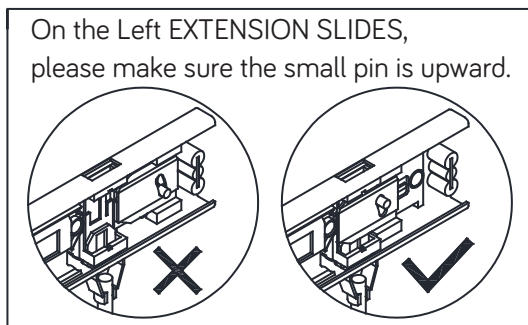
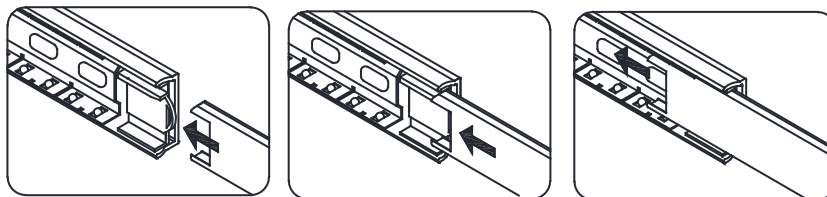
X 3

Step 10

To insert the DRAWER into your unit, line up the EXTENSION SLIDES on the drawer with the EXTENSION RAILS on the unit and push the drawer into the unit.

- ◆ Before the drawer is fully inserted, please make sure the interlock pins on the EXTENSION SLIDES on the drawer is pushed forward as shown on the diagram. The drawer should push in hard until it is all the way in, then it will slide in and out easier.

Attention: This unit used Drawer Interlocking System, when one drawer is open, the other drawers cannot be opened.





MANHATTAN
COMFORT

WARRANTY POLICY

All Manhattan Comfort furniture products are warranted, to the original purchaser at the time of purchase and for a period of 30 days thereafter.

Our warranty is limited to new products purchased in factory sealed cartons. This warranty is valid in the United States of America and Canada.

In order to provide you with timely assistance, please thoroughly inspect your furniture for missing or defective parts immediately after opening the carton.

Manhattan Comfort offers a 30-day parts replacement warranty on all items.

Our furniture products are not intended for outdoor use.

THE WARRANTY DOES NOT COVER:

- Defects/damages by improper assembly or disassembly.
- Defects/damages caused by shipping. Claims for damage during transit should be placed immediately to the transportation company.
- Defects/damages caused by inappropriate use of the furniture.



319 Ridge Rd. Dayton, NJ 08810

908-888-0818