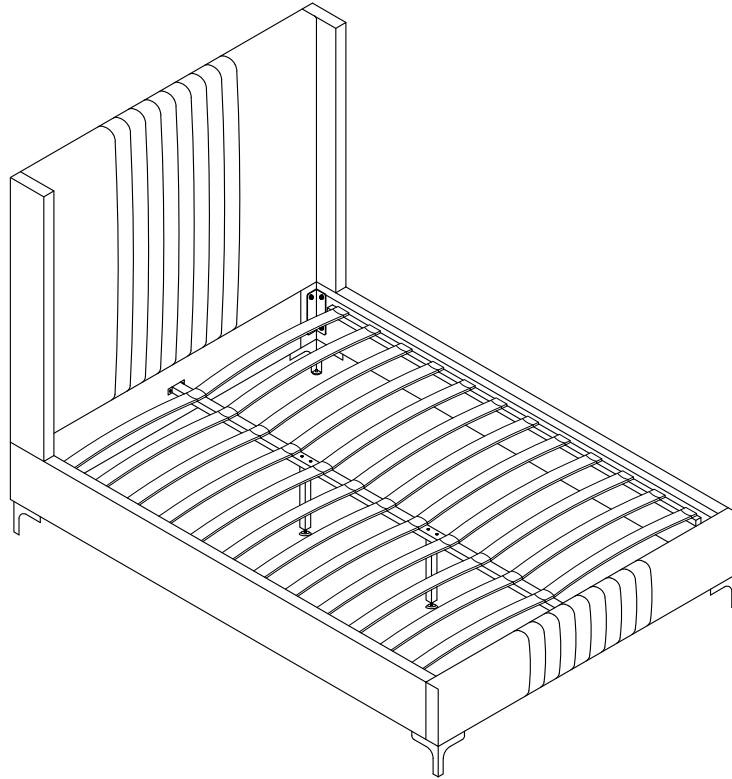


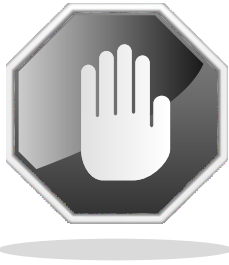
# **BD010-TW**

39" x 75"



## **IMPORTANT NOTE**

1. PLEASE CHECK THAT ALL PARTS ARE PRESENT BEFORE YOU START THE ASSEMBLY OF YOUR FURNITURE.
2. FOR THE PROTECTION OF YOUR FURNITURE, PLACE ALL PARTS ON A CLEAN AND SMOOTH SURFACE TO PREVENT ANY DAMAGE.
3. DO NOT USE POWER TOOLS TO ASSEMBLE THE BED.
4. PLEASE PERIODICALLY CHECK ALL FITTINGS AND RE-TIGHTEN AS NECESSARY.
5. DO NOT USE THE BED UNLESS ALL BOLTS AND SCREWS ARE FIRMLY SECURED.

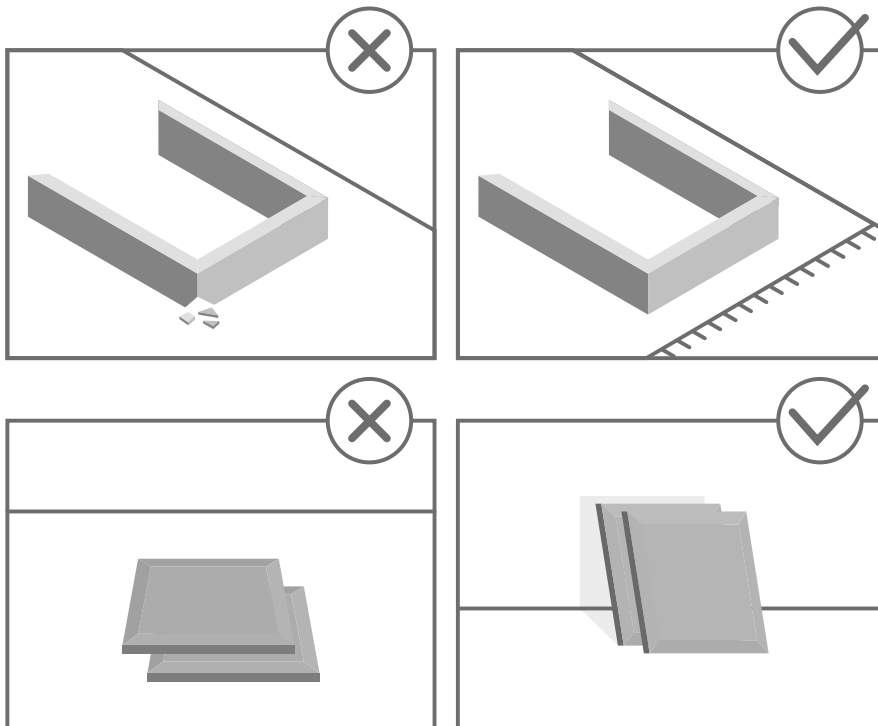


# STOP!

Before beginning the assembly process, ensure all boxes and parts have been delivered.

## FOR BEST RESULTS:

- Do not throw away packaging materials until assembly is complete.
- Assemble item on a soft surface, such as cardboard or carpet, to protect finish.
- Proper assembly requires two people.



## SUPPORT SITE



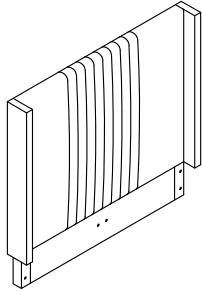
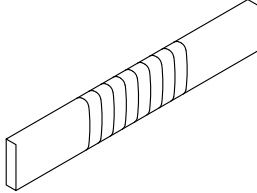
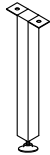
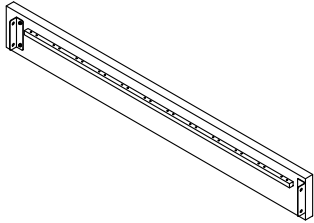
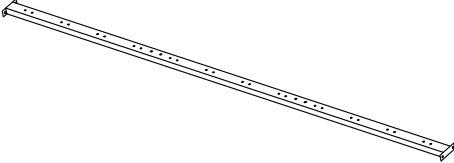
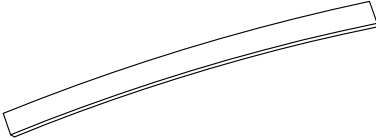

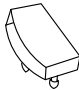
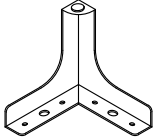
View our assembly video online:  
[WWW.MANHATTANCOMFORT.COM](http://WWW.MANHATTANCOMFORT.COM)



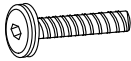
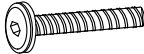
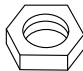
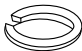


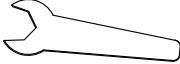
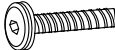



Stuck? Question? We are here to help.  
tel: **1-908-888-0818**  
e-mail: [help@manhattancomfort.com](mailto:help@manhattancomfort.com)



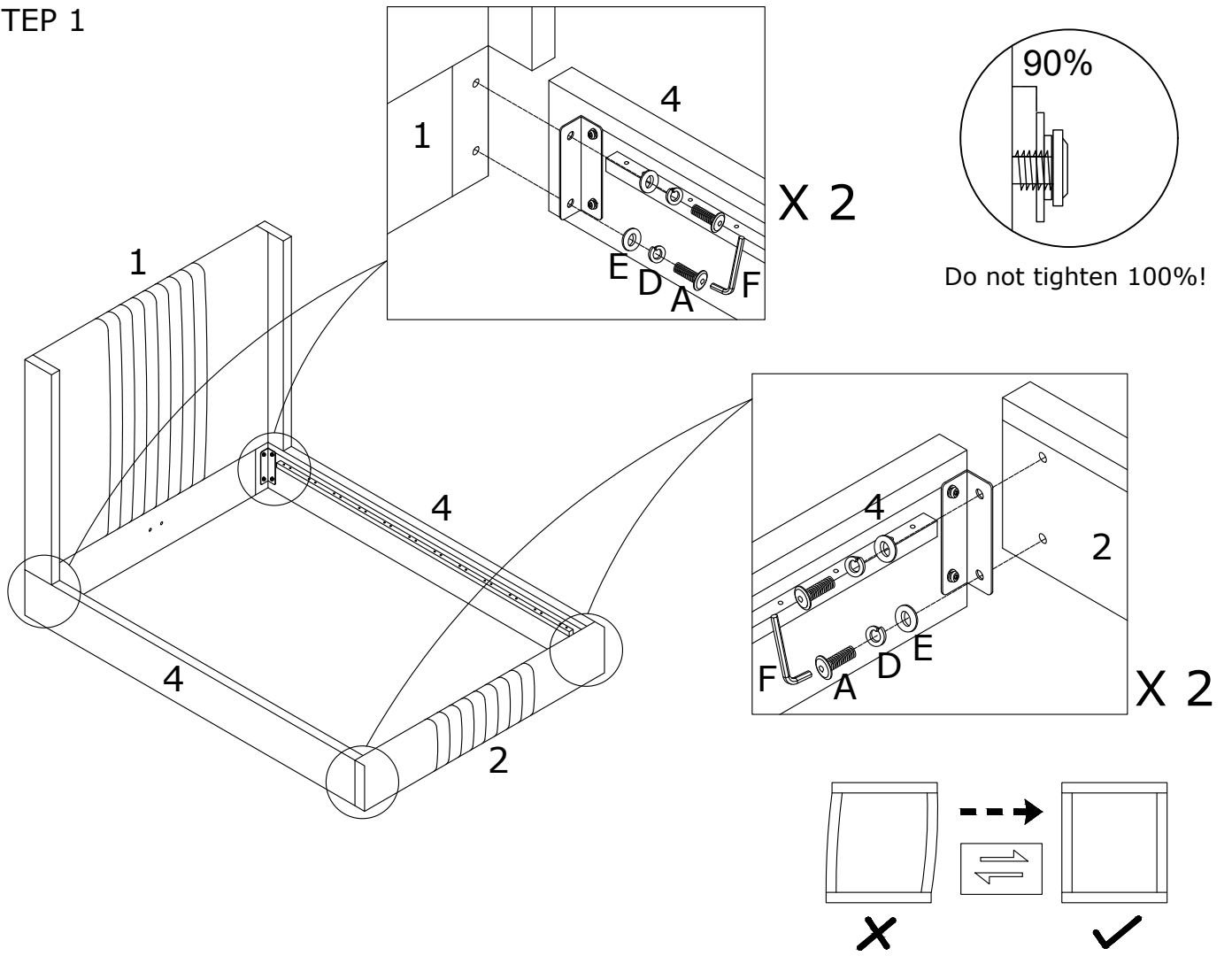
# PART LIST

<p>(1)Headboard x 1pc</p> 	<p>(2)Footboard x 1pc</p> 
<p>(3)Support Leg x 2pcs</p> 	<p>(4)Crossrail x 1pair</p> 
<p>(5)Center Support Bar x 1pc</p> 	<p>(6)Slat x 24pcs</p> 
<p>(7)Double Plastic Cap x 12pcs</p> 	<p>(8)Single Plastic Cap x 24pcs</p> 
<p>(9)Leg x 4pcs</p> 	

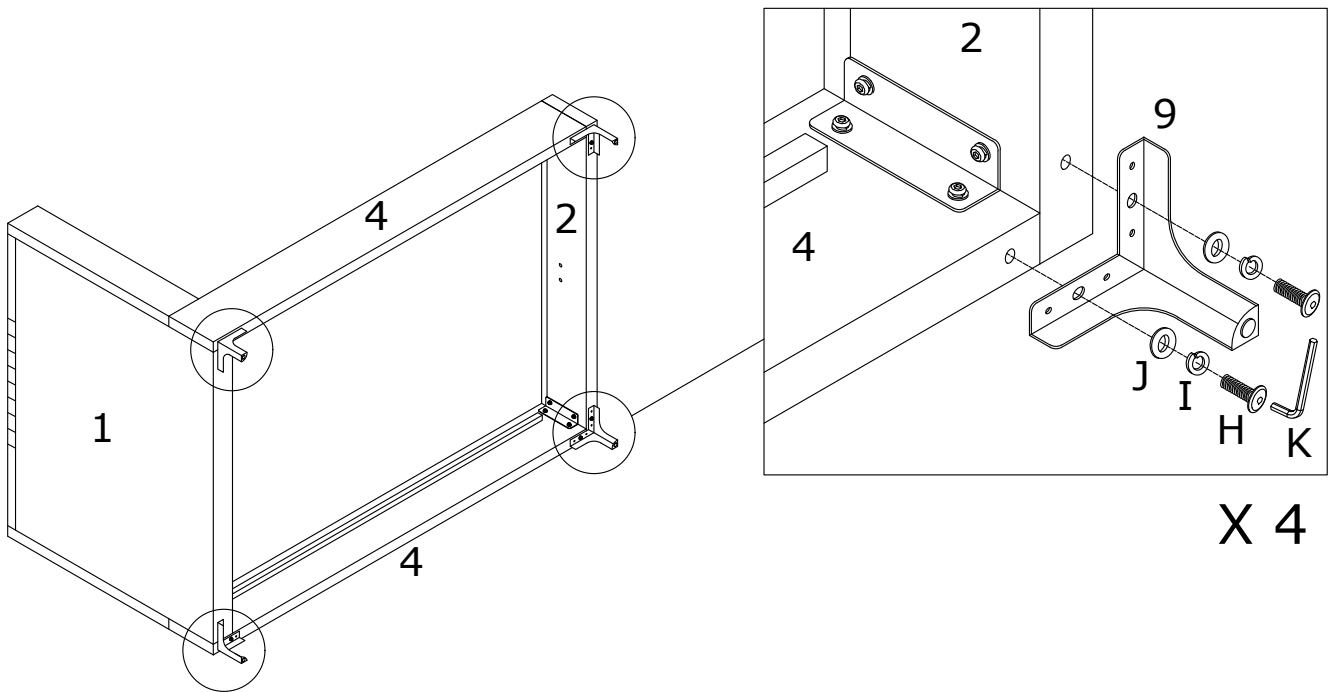
# HARDWARE LIST

<p>(A)Bolt M8 x 25mm x 12pcs</p> 	<p>(B)Bolt M8 x 40mm x 4pcs</p> 	<p>(C)Nut M8 x 13mm x 4pcs</p> 	<p>(D)Spring Washer M8 x 8pcs</p> 
<p>(E)Flat Washer M8 x 16pcs</p> 	<p>(F)Allen Key M5 x 1pc</p> 	<p>(G)Spanner x 1pc</p> 	<p>(H)Bolt M6 x 25mm x 8pcs</p> 
<p>(I)Spring Washer M6 x 8pcs</p> 	<p>(J)Flat Washer M6 x 8pcs</p> 	<p>(K)Allen Key M4 x 1pc</p> 	

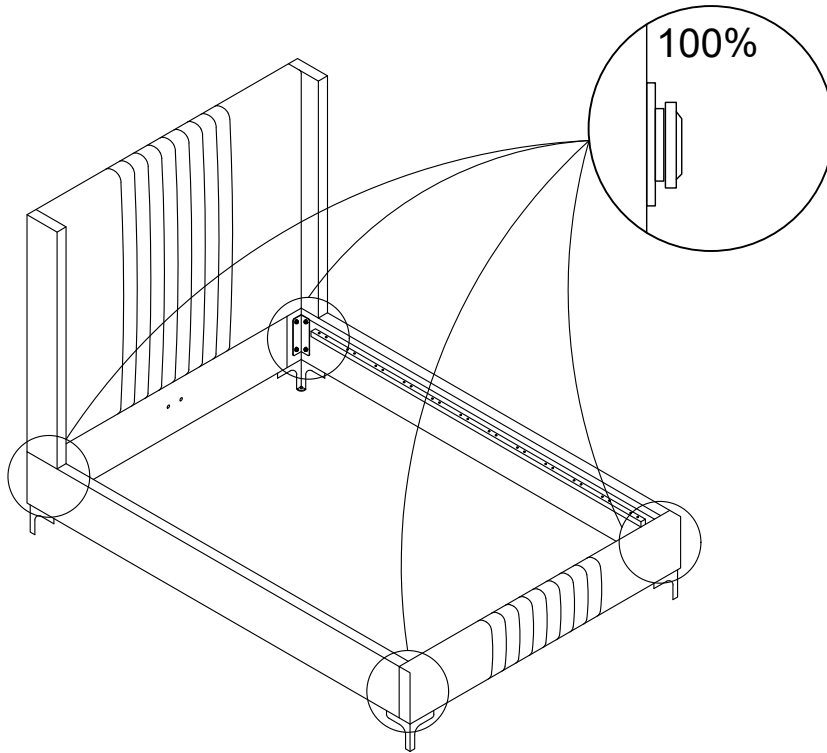
STEP 1



STEP 2

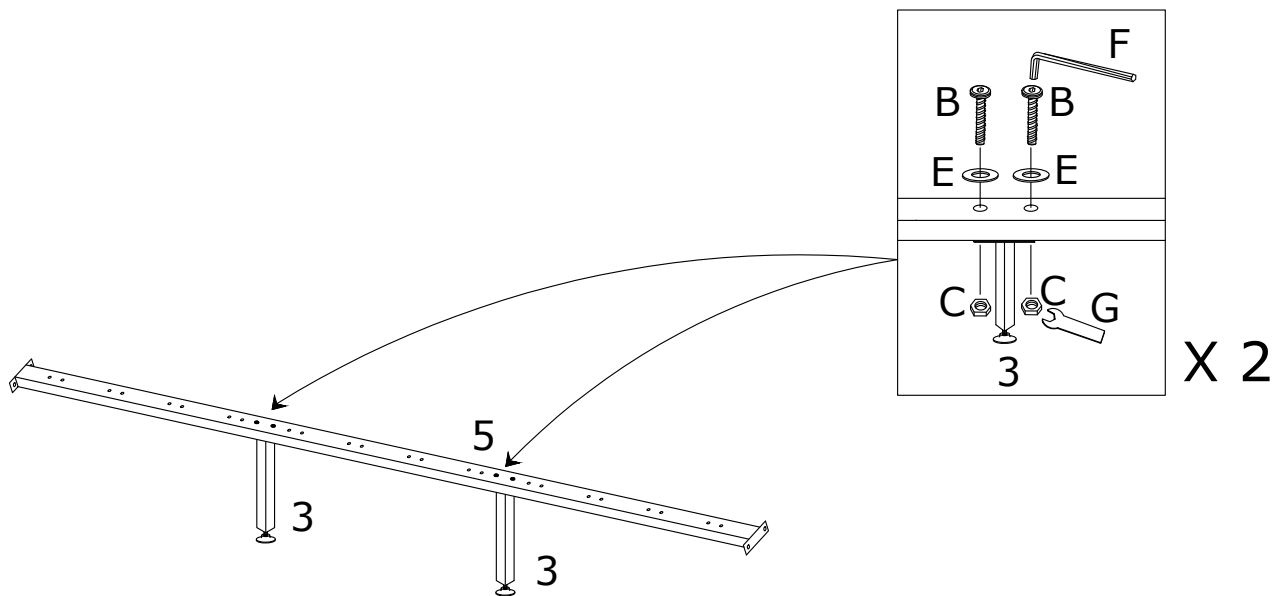


### STEP 3

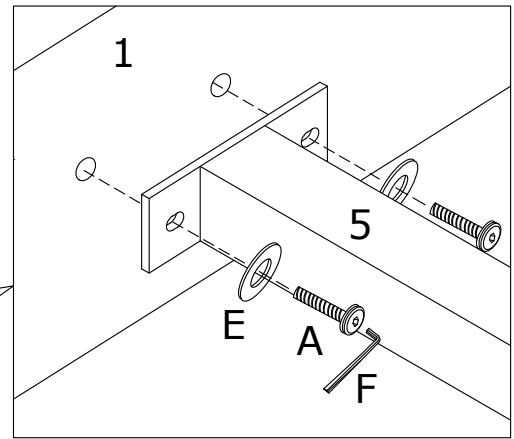
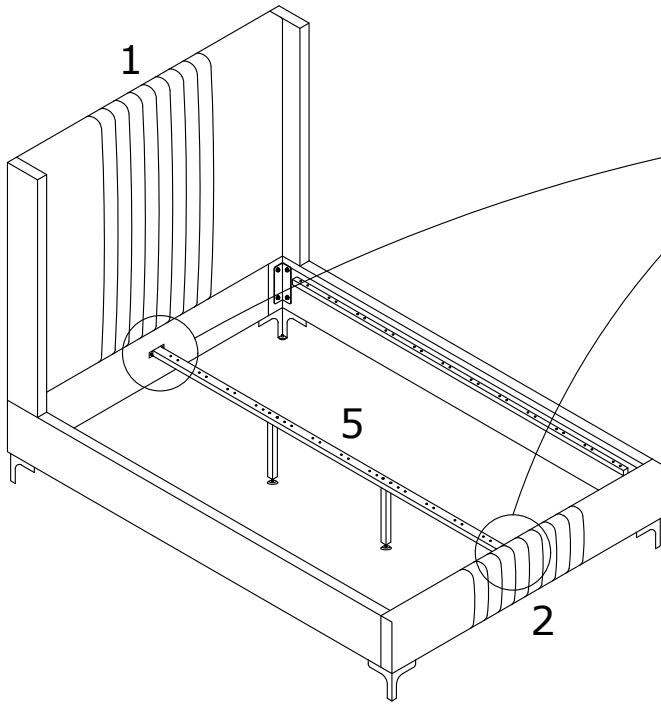


After fixing the legs, please tighten 100% the bolts that assembled on Step 1.

### STEP 4

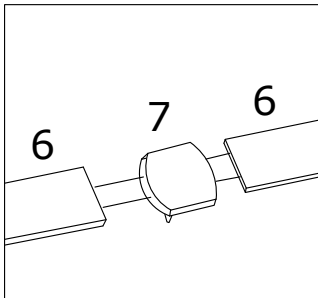
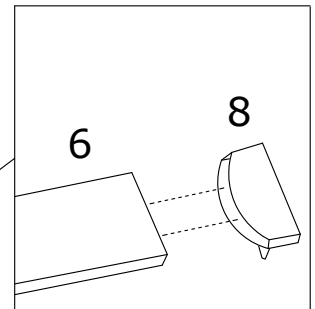
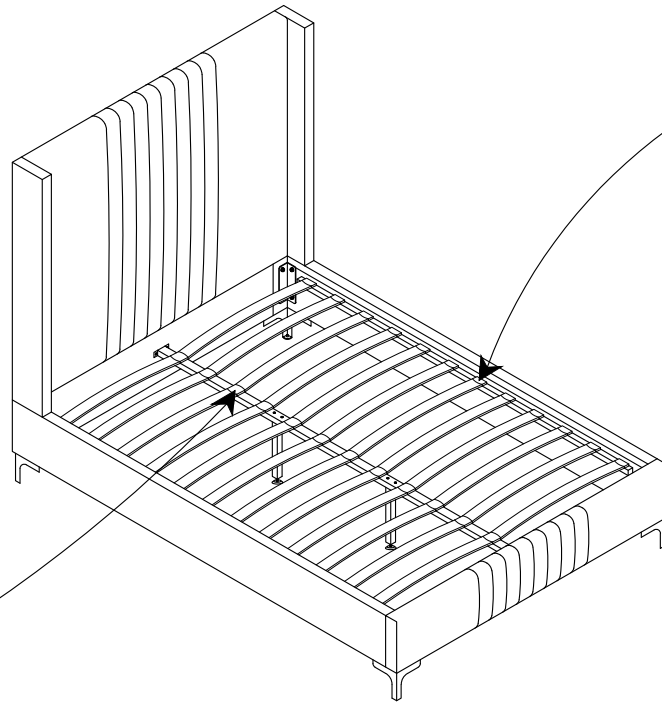


STEP 5



X 2

STEP 6





# MANHATTAN COMFORT

---

## **WARRANTY POLICY**

All Manhattan Comfort furniture products are warranted, to the original purchaser at the time of purchase and for a period of 30 days thereafter.

Our warranty is limited to new products purchased in factory sealed cartons. This warranty is valid in the United States of America and Canada.

In order to provide you with timely assistance, please thoroughly inspect your furniture for missing or defective parts immediately after opening the carton.

Manhattan Comfort offers a 30-day parts replacement warranty on all items.

Our furniture products are not intended for outdoor use.

### **THE WARRANTY DOES NOT COVER:**

- Defects/damages by improper assembly or disassembly.
- Defects/damages caused by shipping. Claims for damage during transit should be placed immediately to the transportation company.
- Defects/damages caused by inappropriate use of the



319 Ridge Rd. Dayton, NJ 08810

908-888-0818