
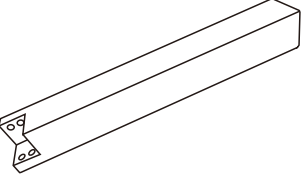
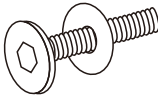



DT02 ASSEMBLY GUIDE

	X1
	X4
	X16
	X1

