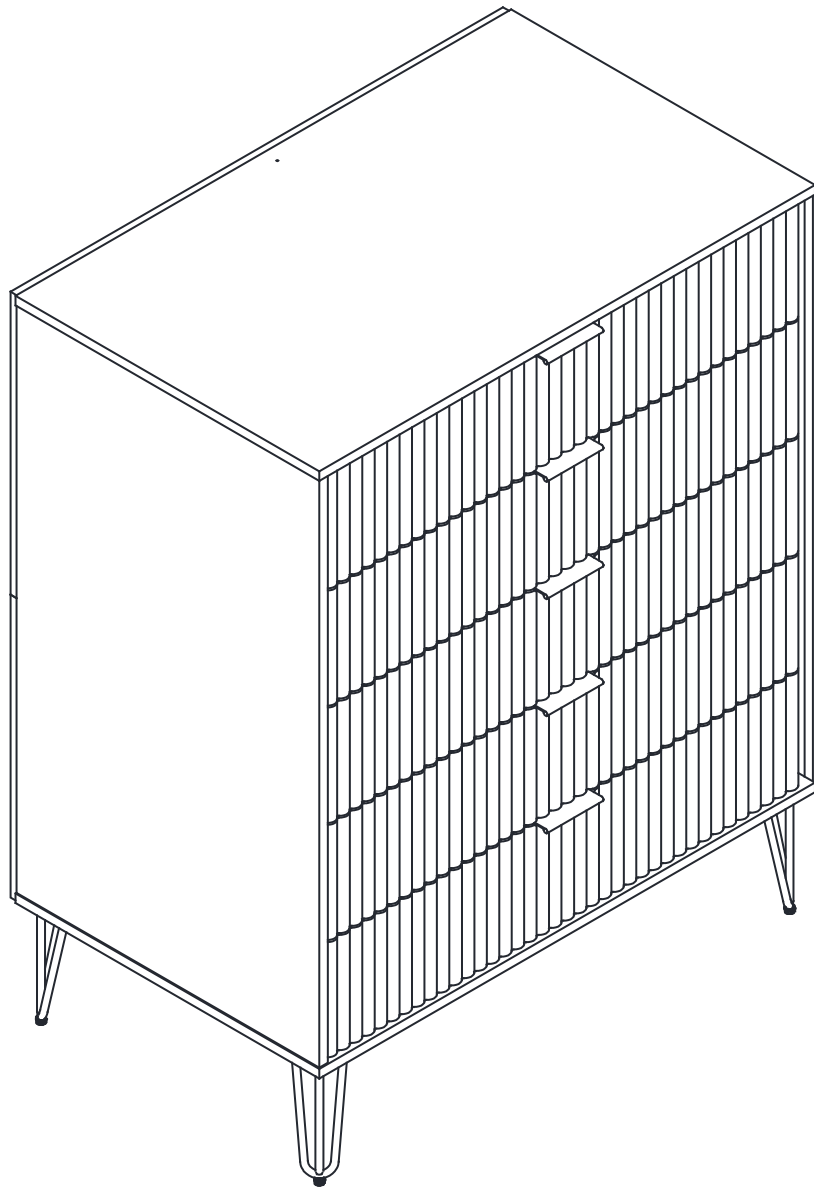




MANHATTAN  
COMFORT

---

**DR002**



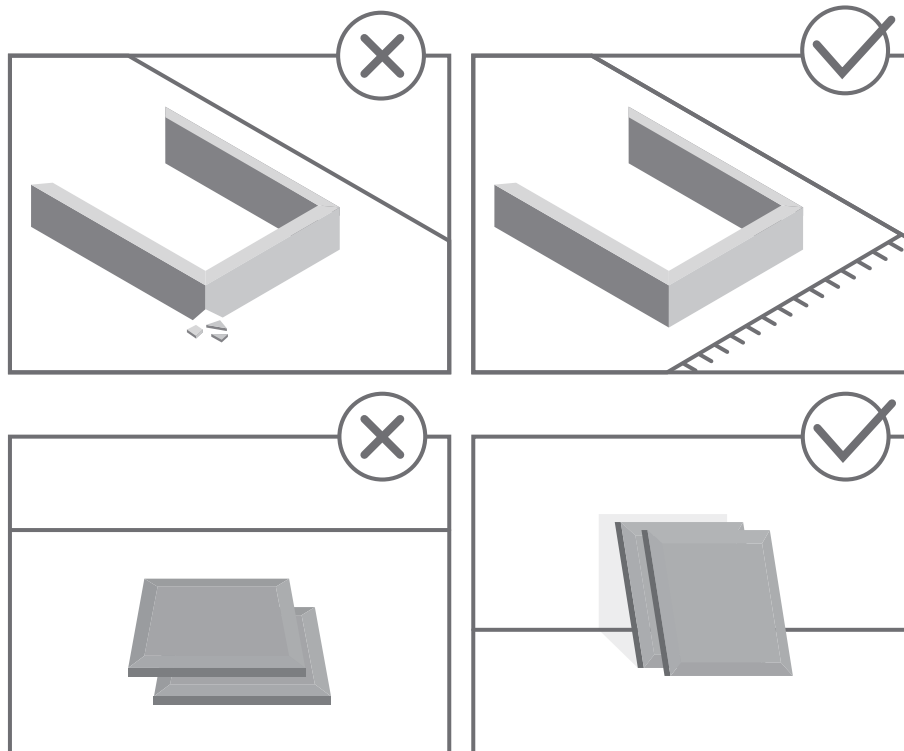


# STOP!

Before beginning the assembly process, ensure all boxes and parts have been delivered.

## FOR BEST RESULTS:

- Do not throw away packaging materials until assembly is complete.
- Assemble item on a soft surface, such as cardboard or carpet, to protect finish.
- Proper assembly requires two people.



View our assembly video online:  
[WWW.MANHATTANCOMFORT.COM](http://WWW.MANHATTANCOMFORT.COM)



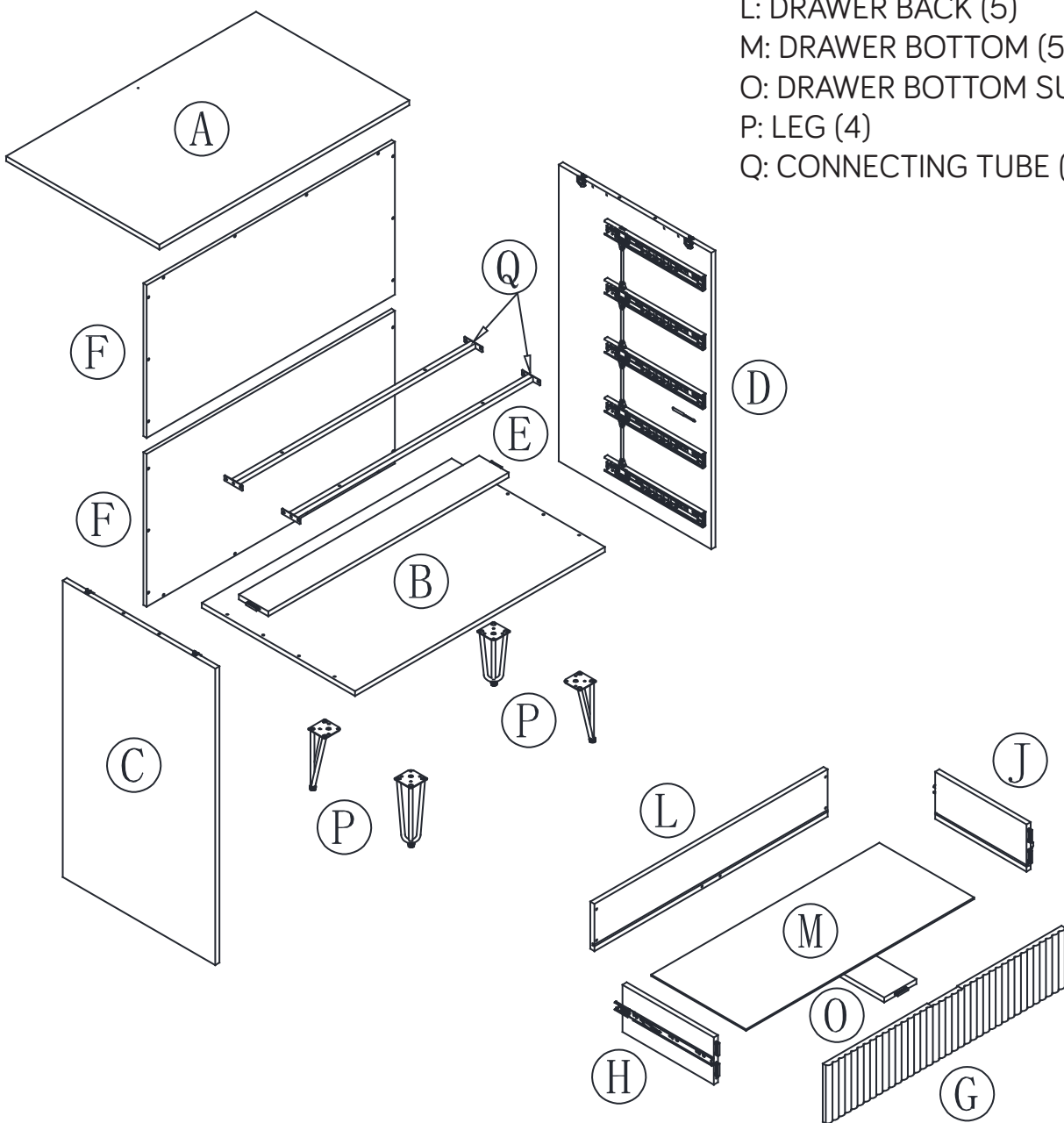
Stuck? Question? We are here to help.  
tel: 908-888-0818  
e-mail: [help@manhattancomfort.com](mailto:help@manhattancomfort.com)

Support Site



# Included in this package:

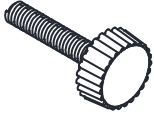
- A: TOP (1)
- B: BOTTOM (1)
- C: LEFT END (1)
- D: RIGHT END (1)
- E: CONNECTING BOARD (1)
- F: BACK (2)
- G: DRAWER FRONT (5)
- H: DRAWER SIDE LEFT (5)
- J: DRAWER SIDE RIGHT (5)
- L: DRAWER BACK (5)
- M: DRAWER BOTTOM (5)
- O: DRAWER BOTTOM SUPPORT (5)
- P: LEG (4)
- Q: CONNECTING TUBE (2)



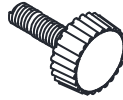
# Hardware Identification

---

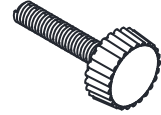
① BOLT - 54pcs  
M4\*30mm



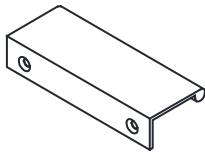
② BOLT - 34pcs  
M4\*12mm



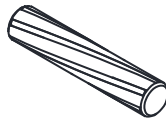
③ BOLT - 4pcs  
M4\*25mm



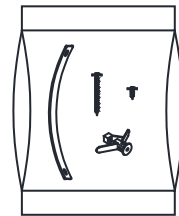
④ PULL - 5pcs

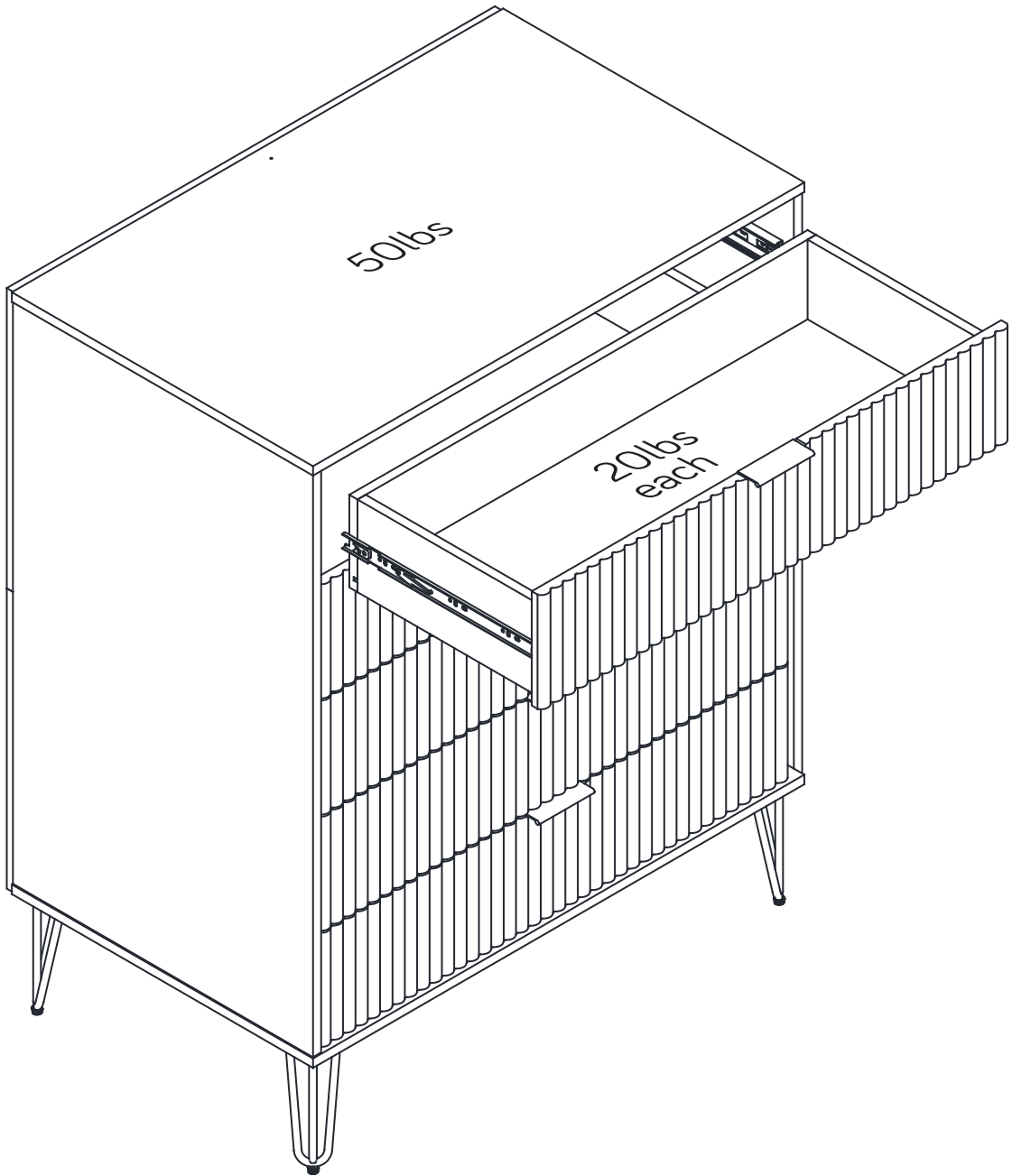


⑤ WOOD DOWEL - 8pcs  
Ø6\*30mm



⑨6 FURNITURE TIPPING  
RESTRAINT KIT - 1pc

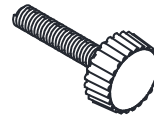




# Step 1

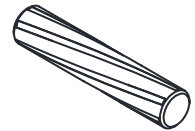
- ◆ Insert four WOOD DOWELS (5) to the BOTTOM (B).
- ◆ Attach the BOTTOM (B) to the ENDS ( C and D), fasten the BOTTOM (B) by using four BOLTS (1).

①

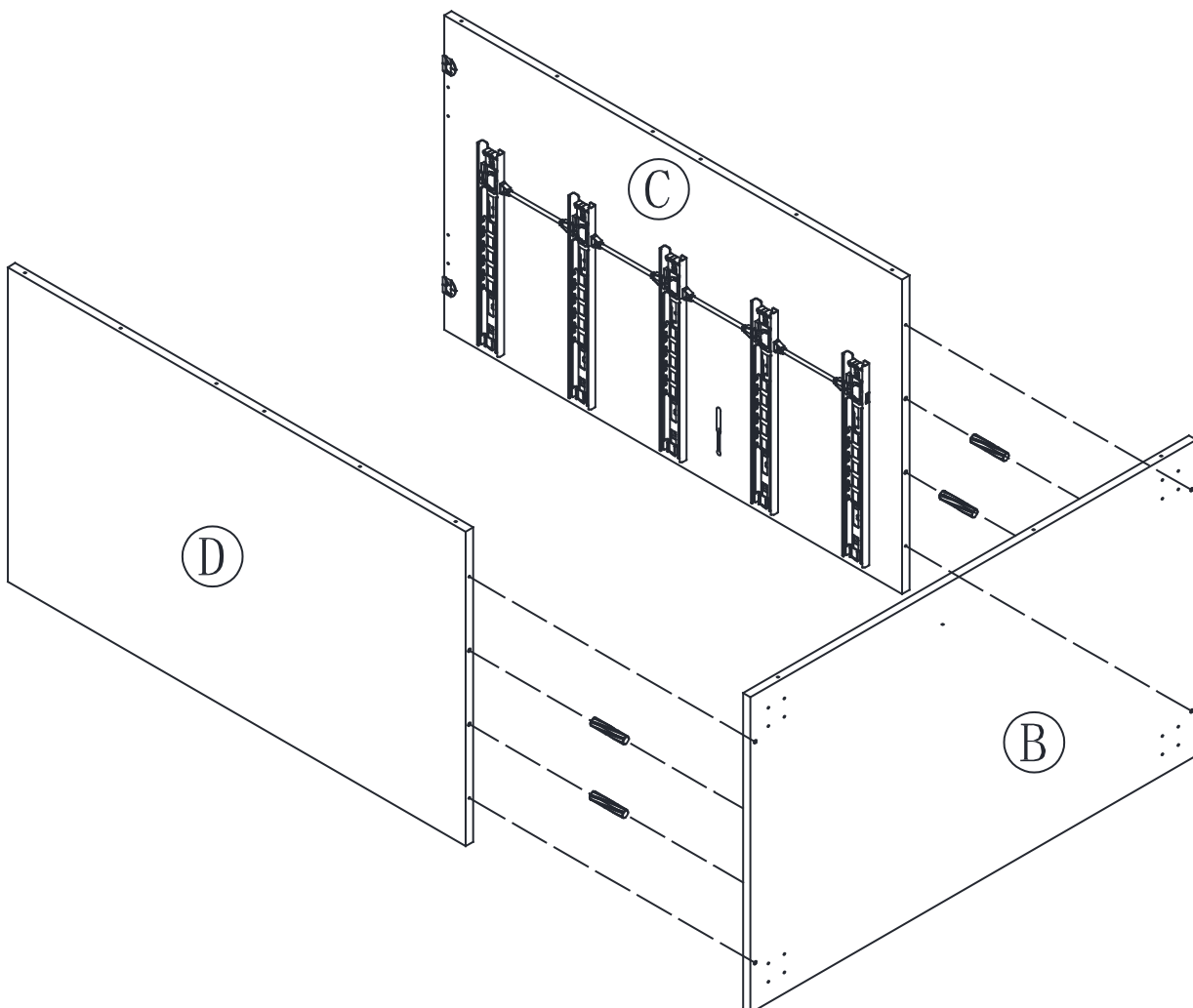


( 4 PCS )

⑤



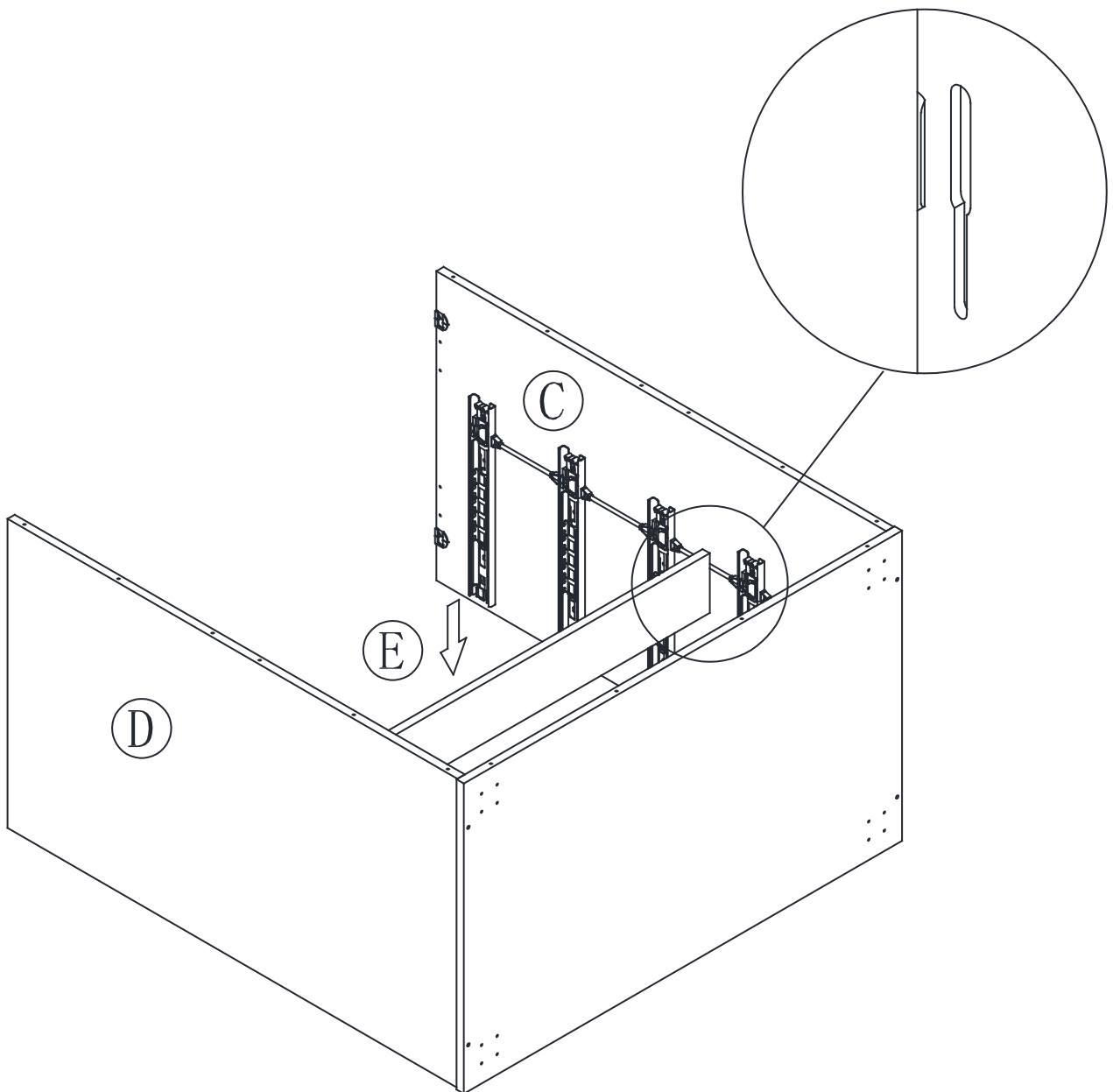
( 4 PCS )



# Step 2

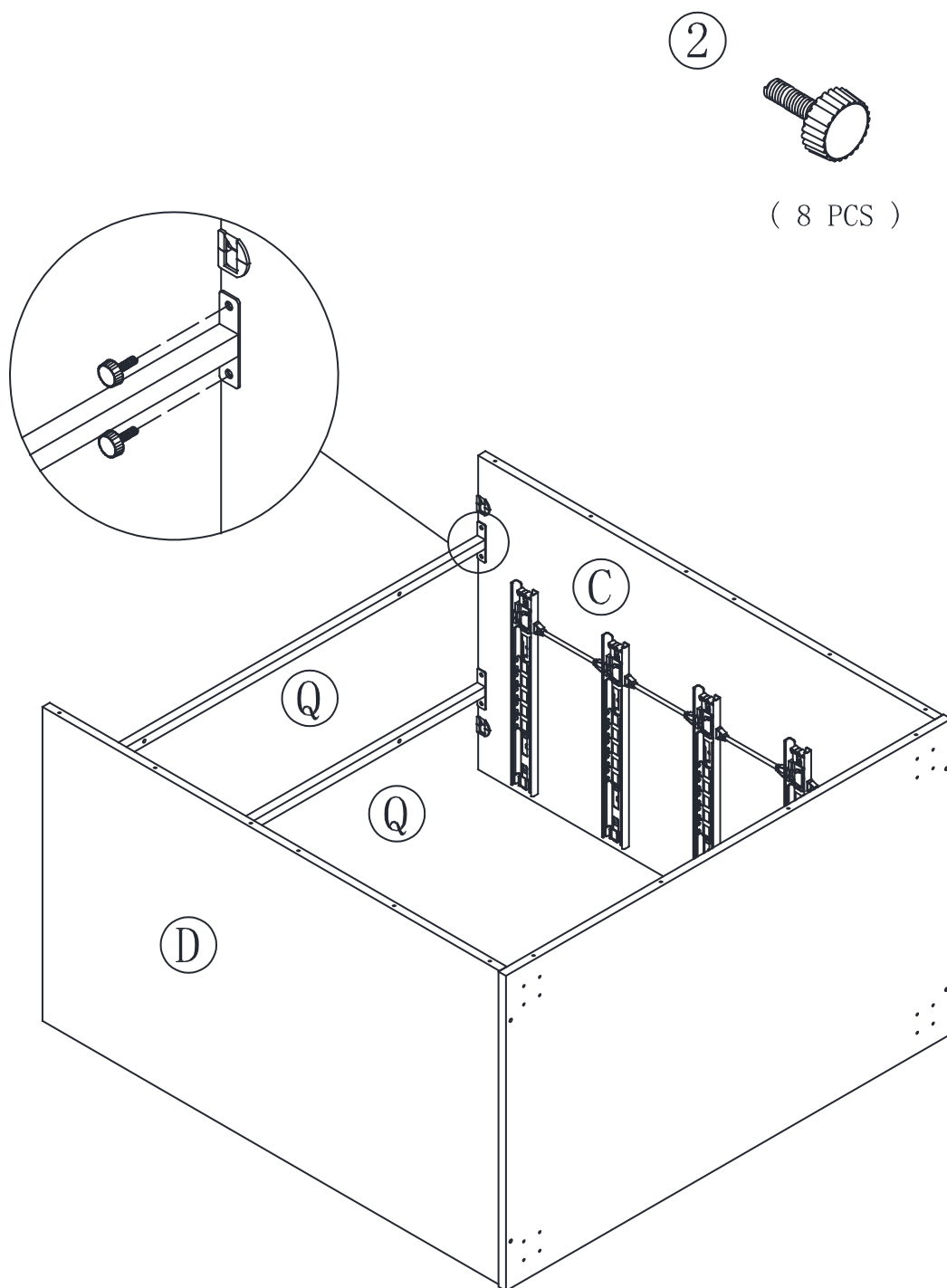
---

- ◆ Slot the CONNECTING BOARD (E) to the ENDS (C and D).



# Step 3

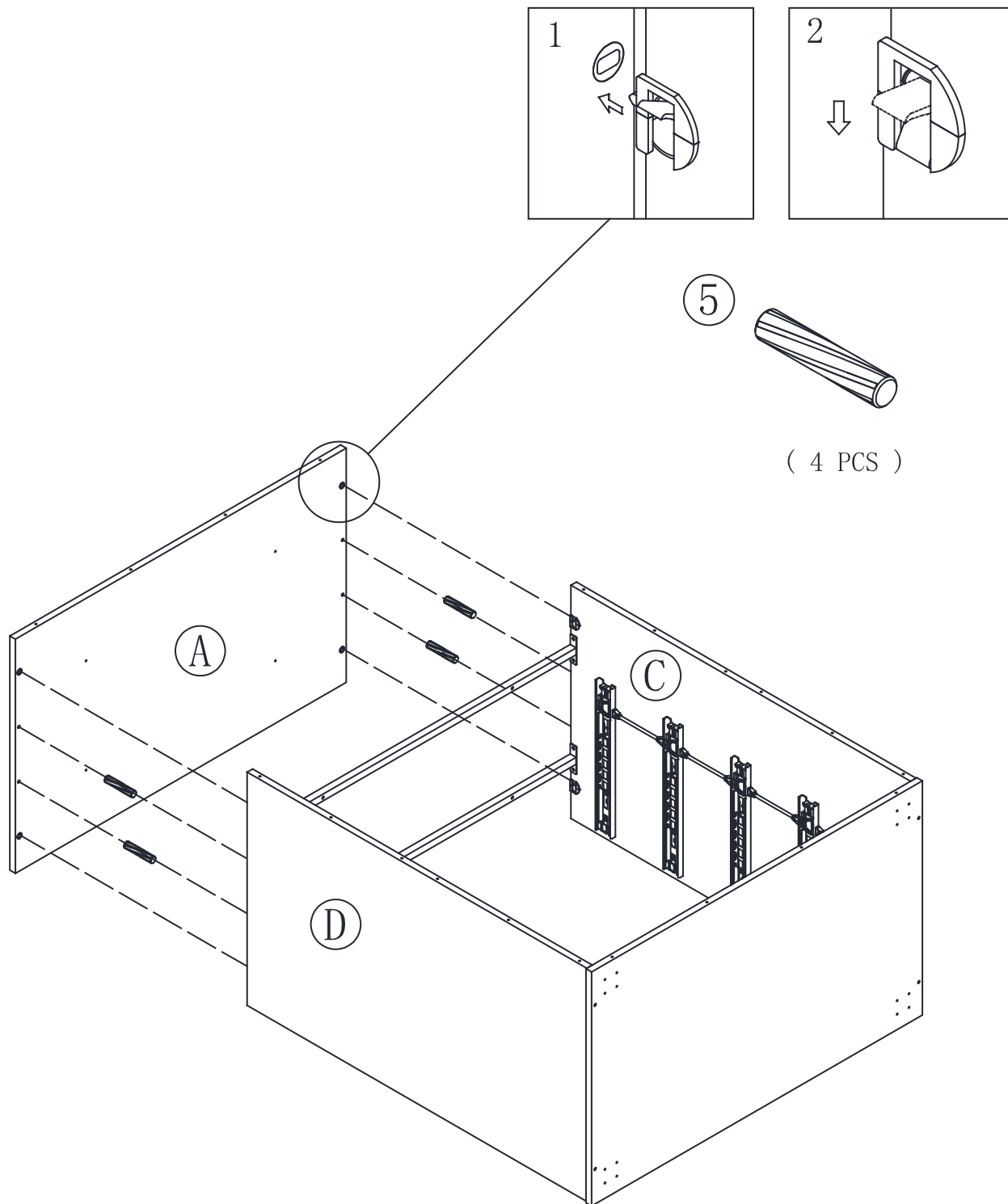
- ◆ Attach the two CONNECTING TUBES (Q) to ENDS (C and D) by using eight BOLTS (2).





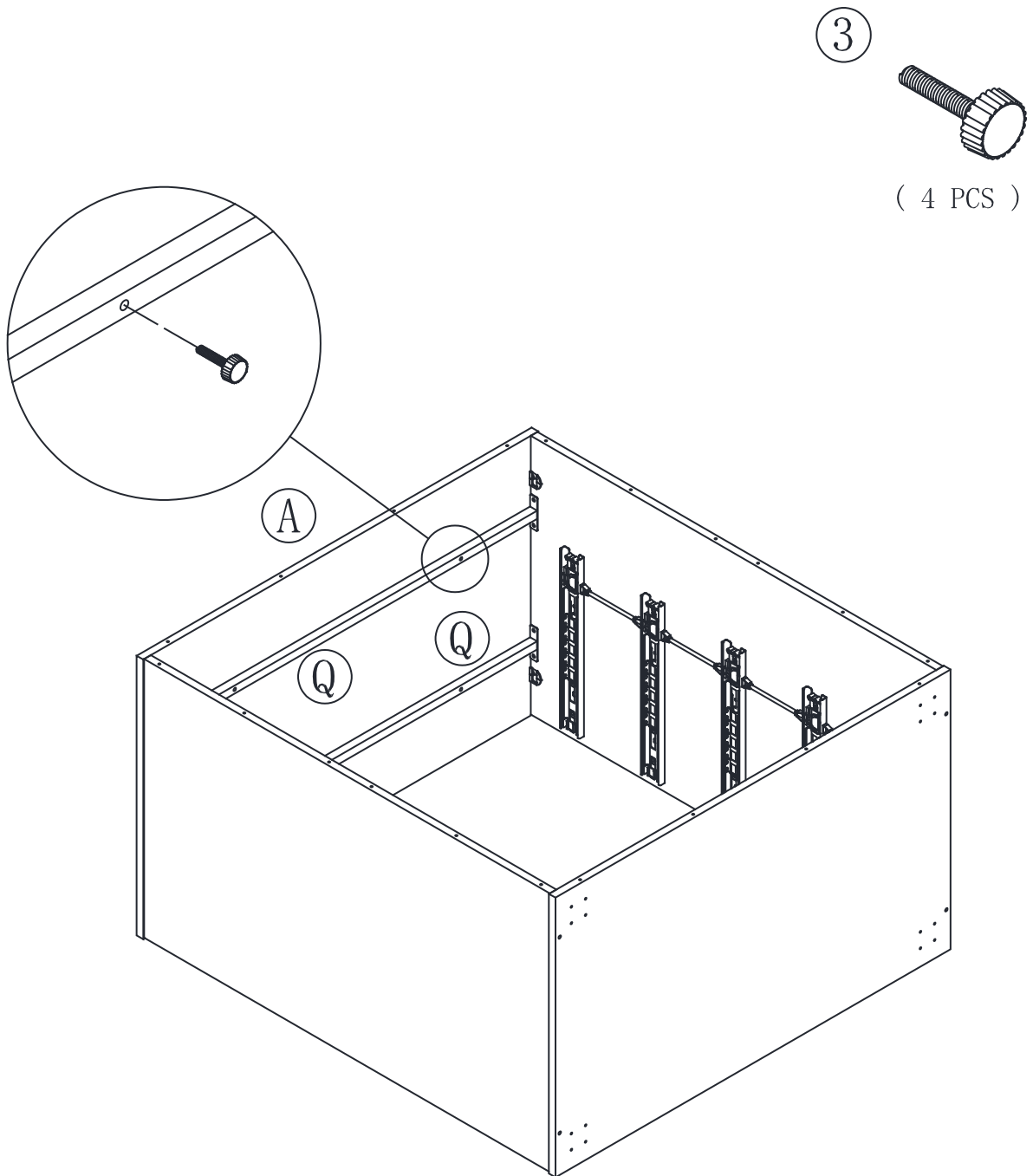
# Step 4

- ◆ Insert four WOOD DOWELS (5) to the TOP (A).
- ◆ Attach the TOP (A) to the ENDS (C and D), tighten four PLASTIC CAM LOCKS.



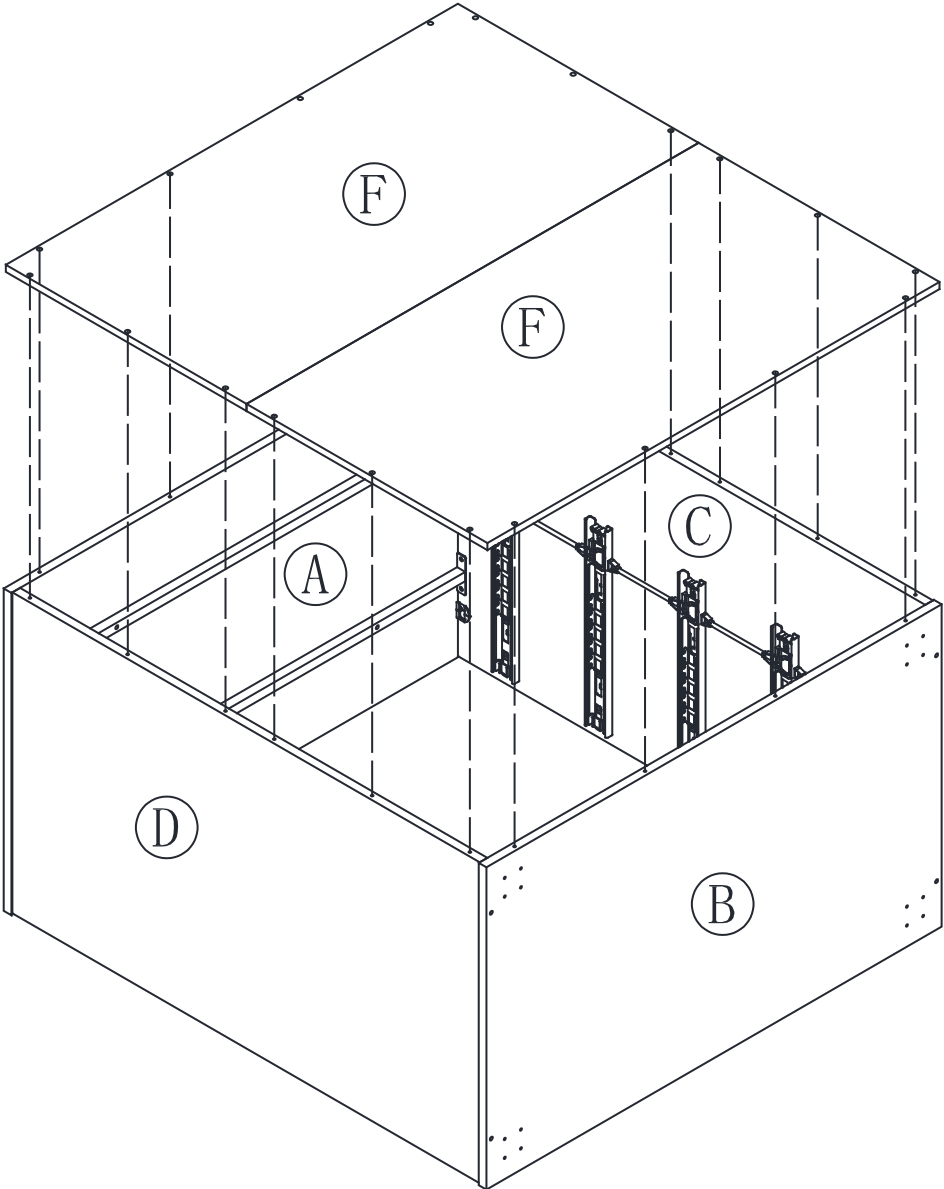
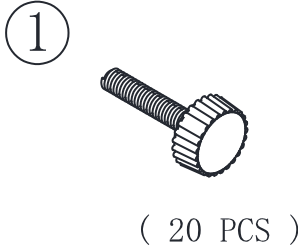
# Step 5

◆ Fasten the two CONNECTING TUBES (Q) to the TOP (A) by using four BOLTS (3).



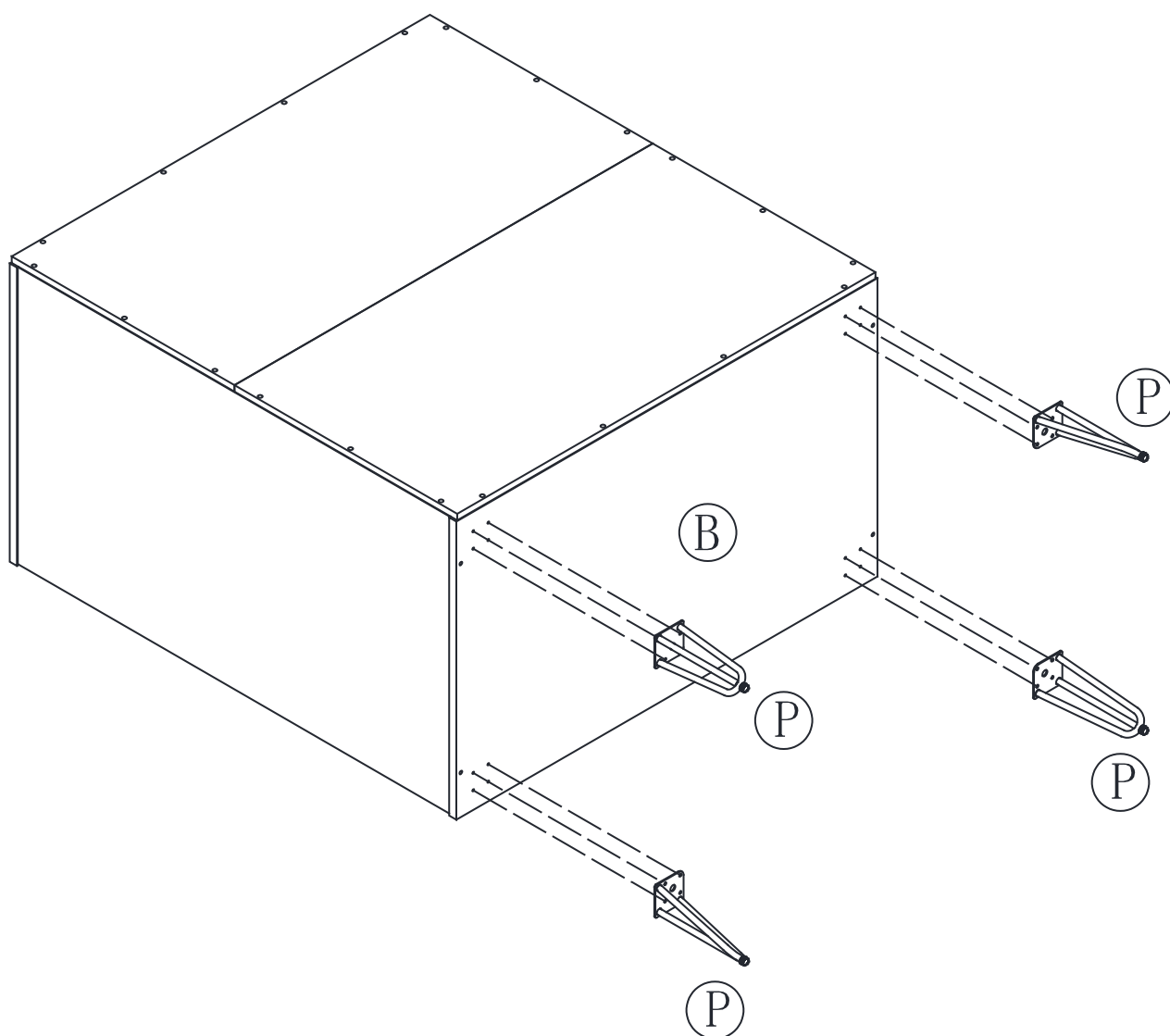
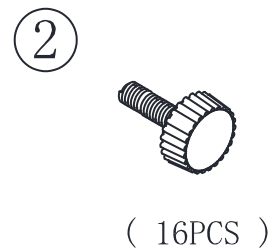
# Step 6

- ◆ Fasten two BACKS (F) to the TOP (A), ENDS (C and D) and the BOTTOM (B) by using twenty BOLTS (1).
- ◆ You should start each BOLT a few turns before completely tightening any of them.



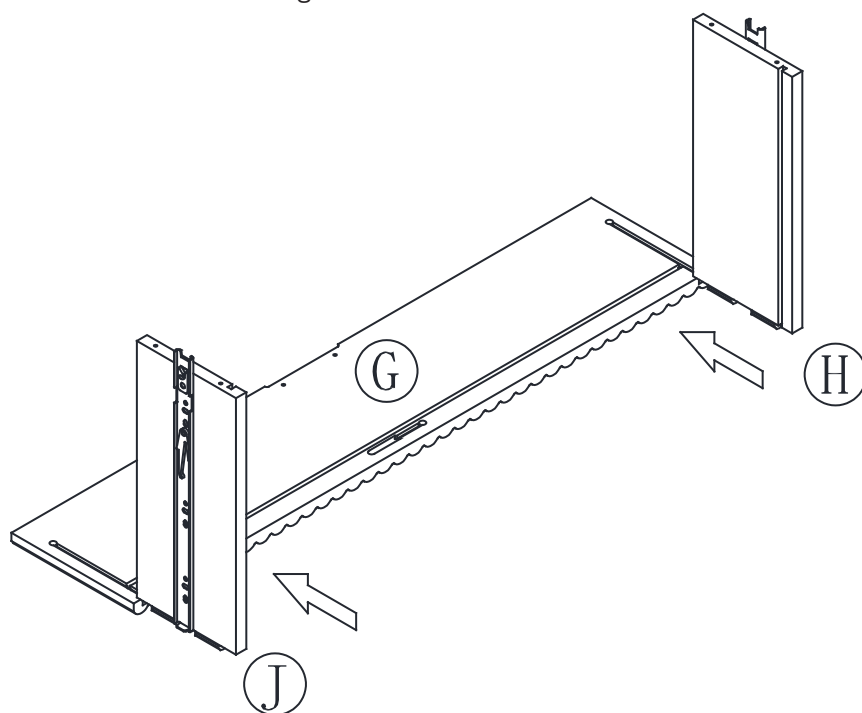
# Step 7

- ◆ Fasten the LEGS (P) to the BOTTOM (B) by using sixteen BOLTS (2).

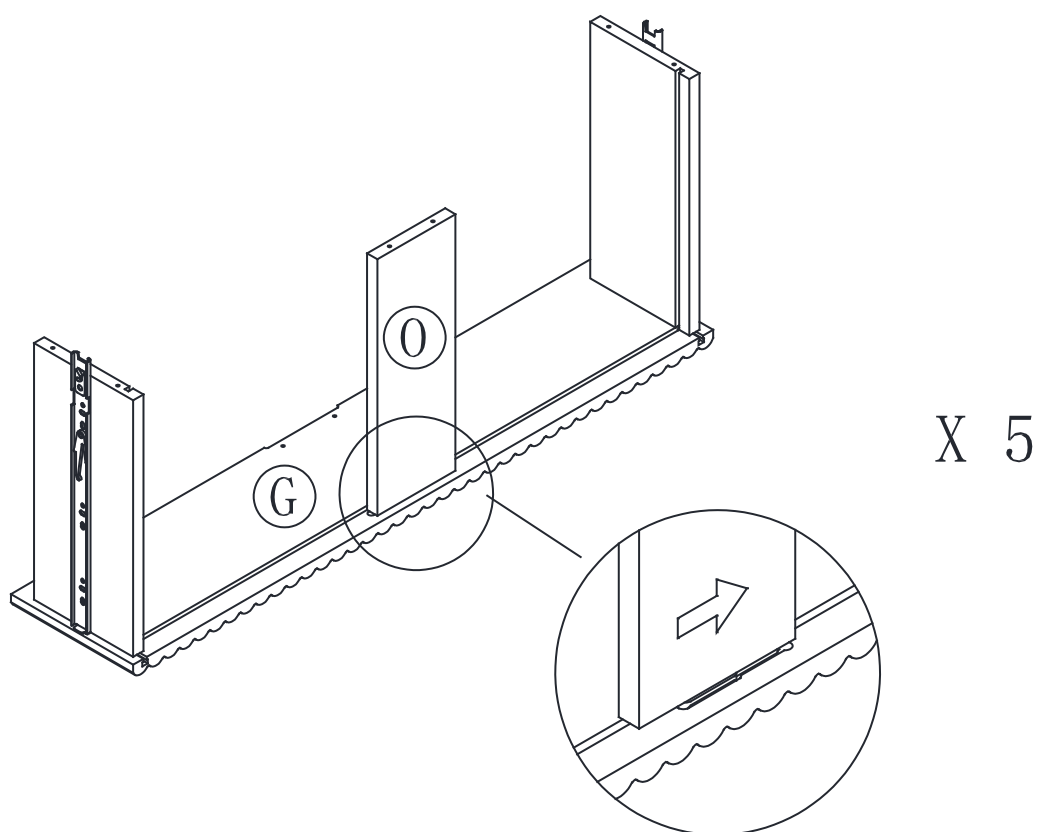


# Step 8

- ◆ Attach the DRAWER SIDES (J and H) to the DRAWER FRONT (G), slide the PLASTIC CONNECTIONS to the grooves.

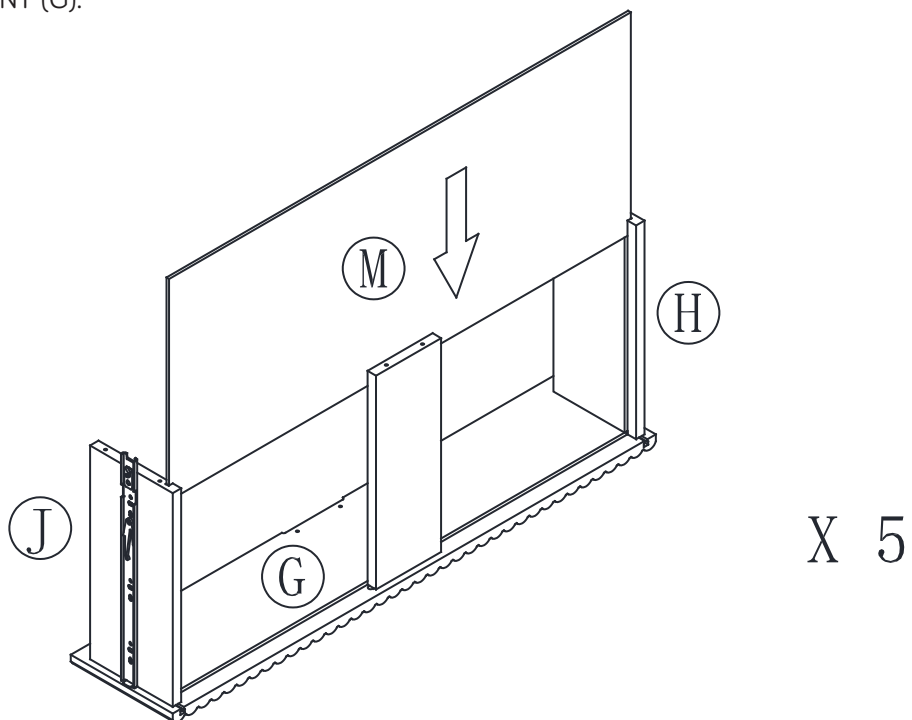


- ◆ Slot the DRAWER BOTTOM SUPPORT (O) to the DRAWER FRONT (G).



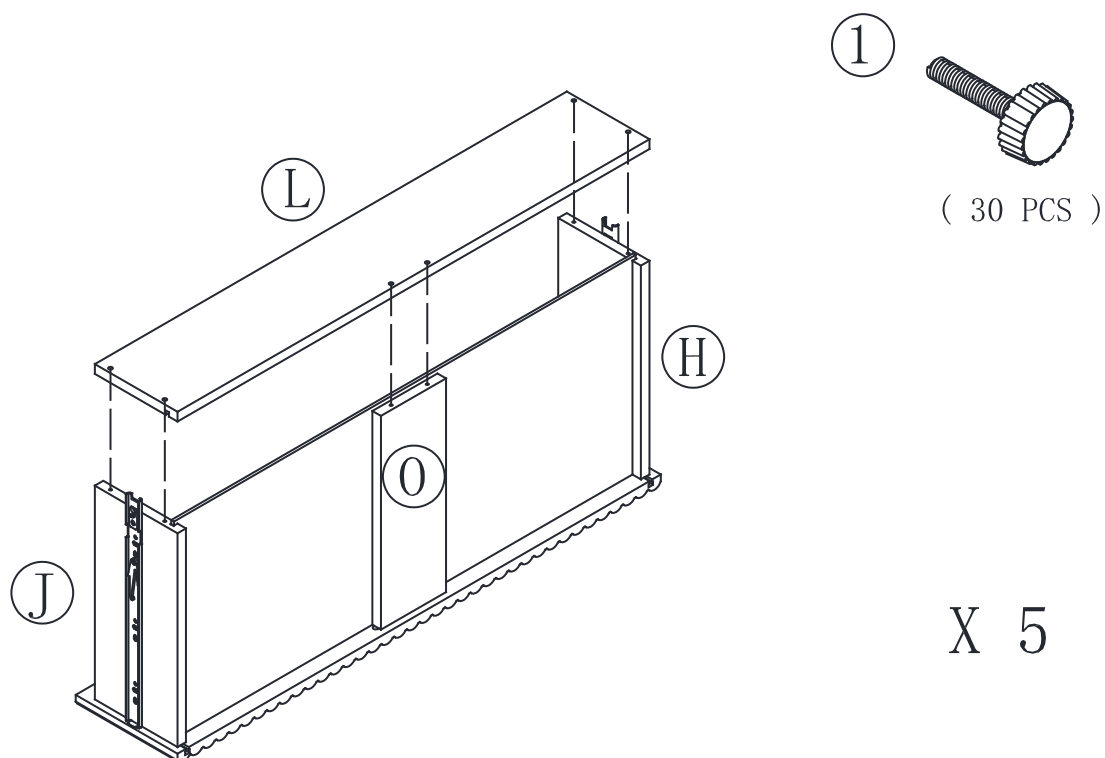
# Step 9

- ◆ Slide the DRAWER BOTTOM (M) into the grooves, in the DRAWER SIDES (J and H), and the DRAWER FRONT (G).



- ◆ Fasten the DRAWER BACK (L) to the DRAWER SIDES (J and H) and the DRAWER BOTTOM SUPPORT (O) by using six BOLTS (1).

Repeat the Step 8 and Step 9 on the other drawers..



# Step 10

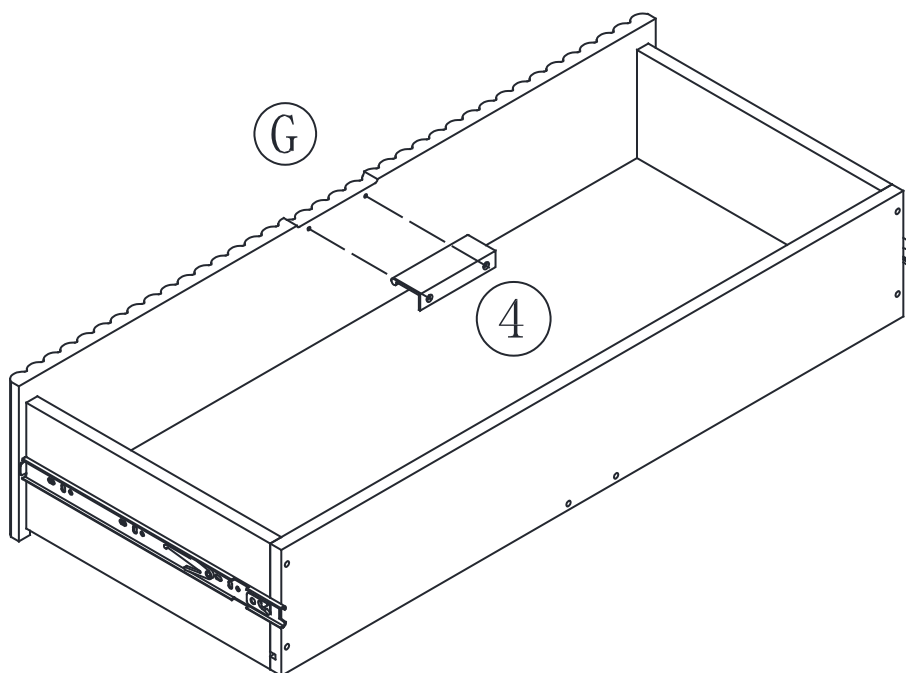
- ◆ Use two BOLTS (2) to fasten the PULL (4) to DRAWER FRONT (G).

Repeat the same on the other drawers.

②



( 10PCS )



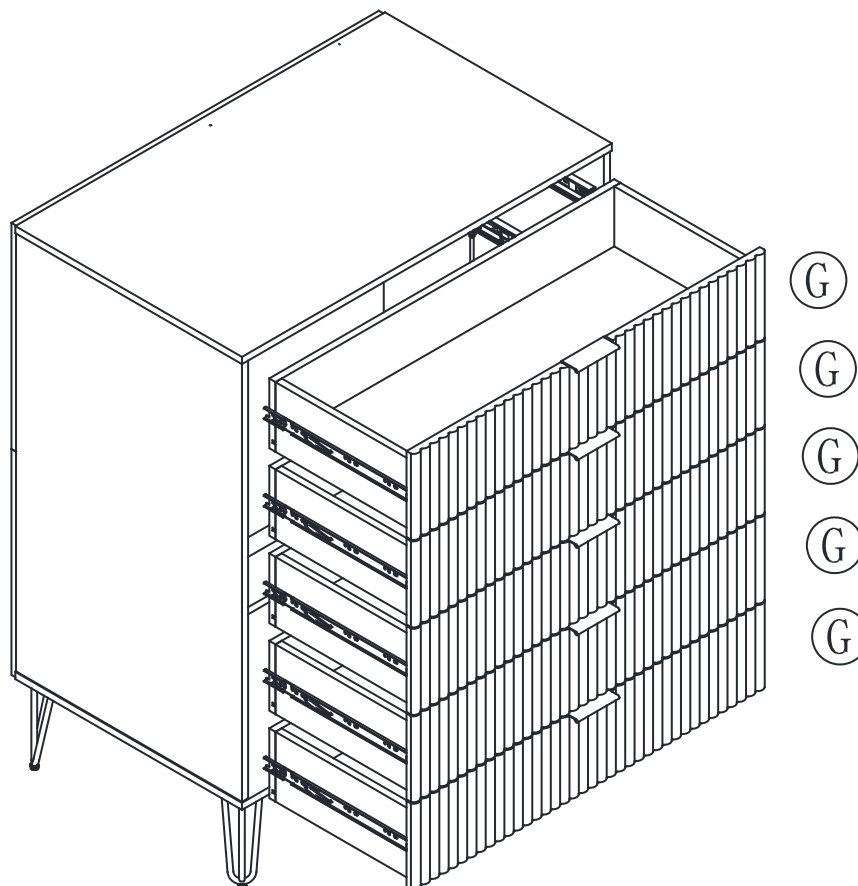
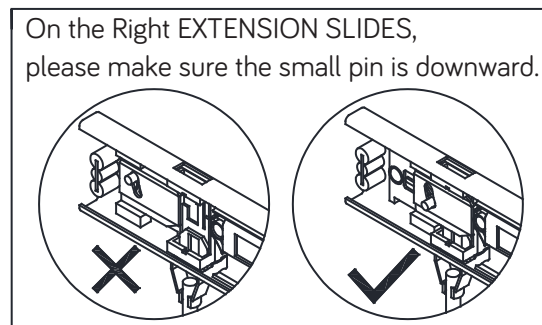
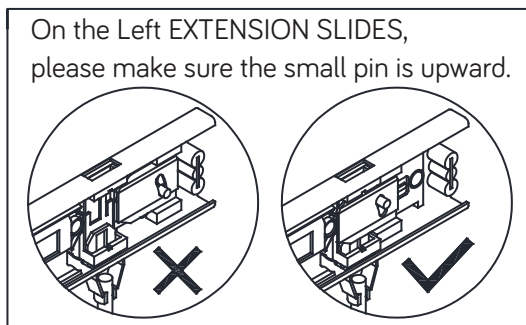
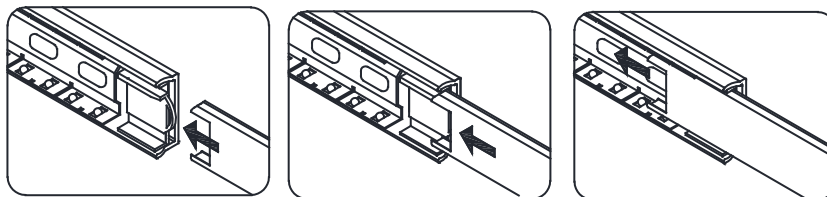
X 5

# Step 11

To insert the DRAWER into your unit, line up the EXTENSION SLIDES on the drawer with the EXTENSION RAILS on the unit and push the drawer into the unit.

- ◆ Before the drawer is fully inserted, please make sure the interlock pins on the EXTENSION SLIDES on the drawer is pushed forward as shown on the diagram. The drawer should push in hard until it is all the way in, then it will slide in and out easier.

Attention: This unit used Drawer Interlocking System, when one drawer is open, the other drawers cannot be opened.





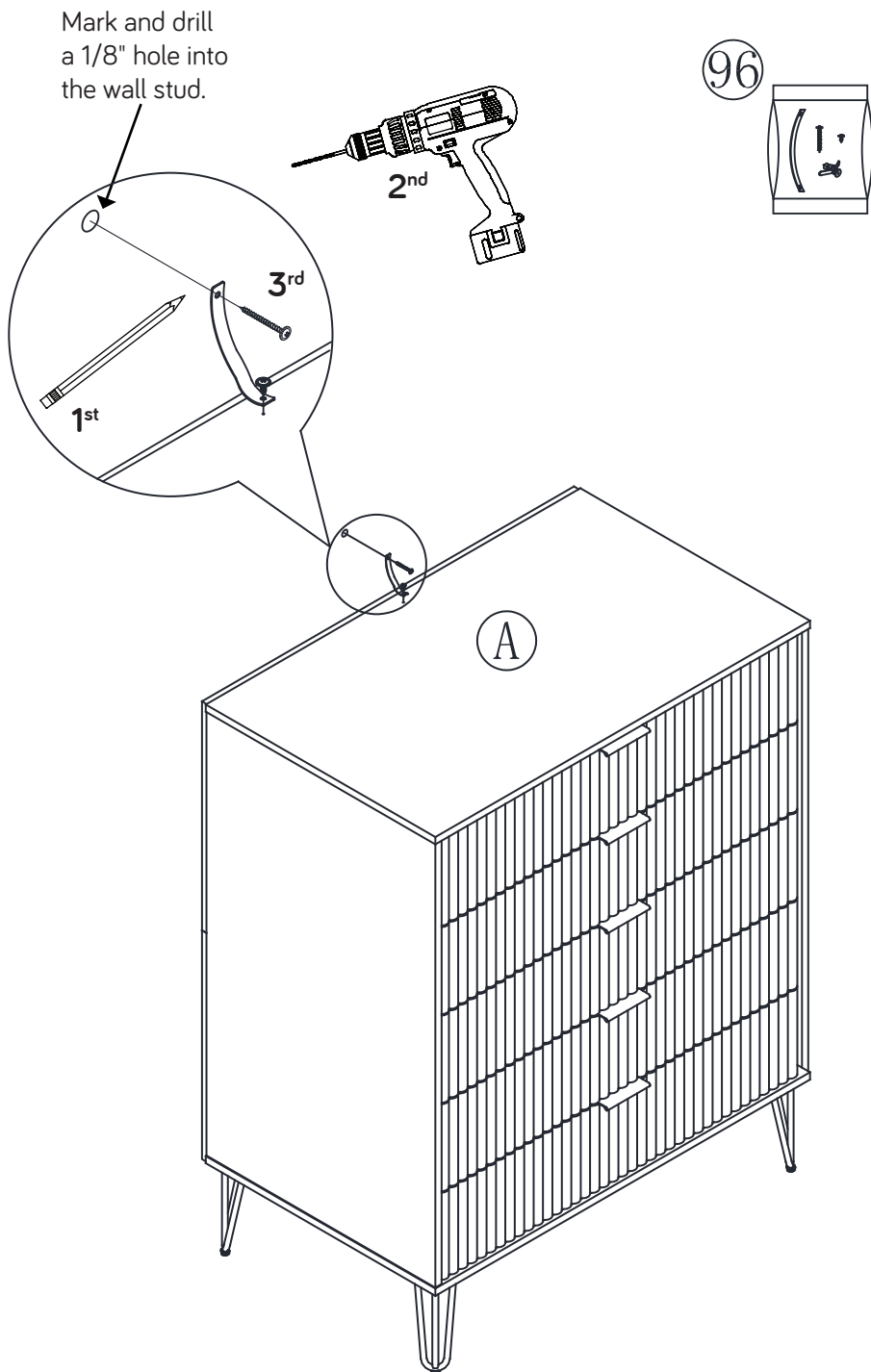
# Step 12

Open the FURNITURE TIPPING RESTRAINT KIT (96) and fasten the SAFETY STRAP to the TOP (A).

- ◆ Use the SHORT SCREW through the hole in the strap and into the top surface of the TOP (1). Place your unit in its final location.
- ◆ NOTE: The following instructions show your unit being fastened to a wall stud. If you are not fastening your unit wall stud, go to the next step now.

1st- Locate the center of a stud in your wall near your unit and mark it with a pencil.

- ◆ 2nd- Drill a 1/8" hole on the mark and into the stud in your wall.
- ◆ 3rd- Fasten the unit to the wall. Use the LONG SCREW through the other end of the SAFETY STRAP and into the 1/8" hole.



# Step 13

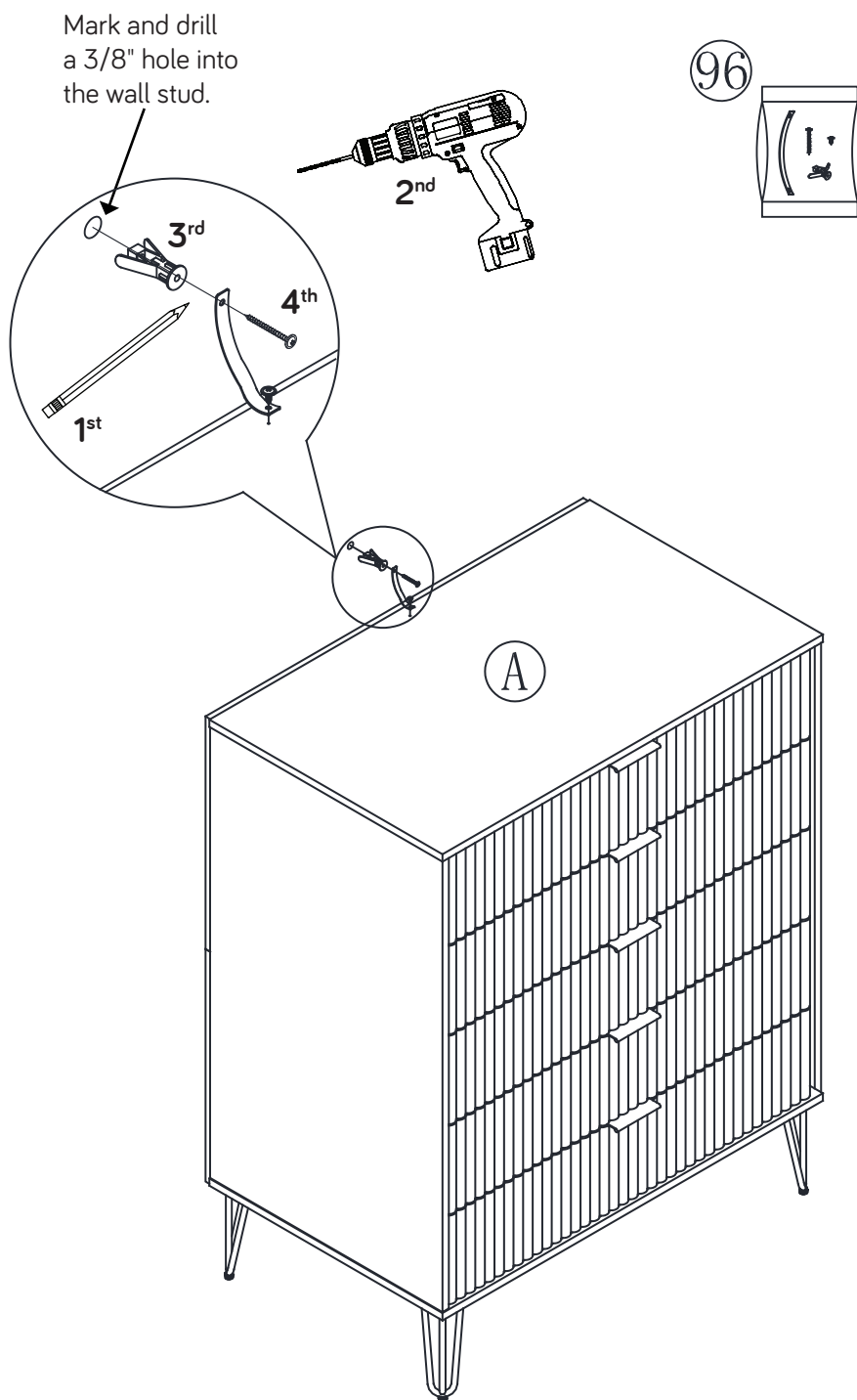
1st- With your pencil, strike a mark through the center of the hole in the SAFETY STRAP.

2nd- Drill a 3/8" hole on the mark.

- ◆ 3rd- While you squeeze the wings together, gently tap the WALL ANCHOR from the FURNITURE TIPPING RESTRAINT KIT (96) into the hole until it is even with the surface of the wall.

4th- Turn the LONG SCREW through the hole in the SAFETY STRAP and into the WALL ANCHOR.

- ◆ NOTE: You will need to turn the LONG SCREW multiple turns to completely tighten and secure your unit.





MANHATTAN  
COMFORT

---

## **WARRANTY POLICY**

All Manhattan Comfort furniture products are warranted, to the original purchaser at the time of purchase and for a period of 30 days thereafter.

Our warranty is limited to new products purchased in factory sealed cartons. This warranty is valid in the United States of America and Canada.

In order to provide you with timely assistance, please thoroughly inspect your furniture for missing or defective parts immediately after opening the carton.

Manhattan Comfort offers a 30-day parts replacement warranty on all items.

Our furniture products are not intended for outdoor use.

### THE WARRANTY DOES NOT COVER:

- Defects/damages by improper assembly or disassembly.
- Defects/damages caused by shipping. Claims for damage during transit should be placed immediately to the transportation company.
- Defects/damages caused by inappropriate use of the furniture.



319 Ridge Rd. Dayton, NJ 08810

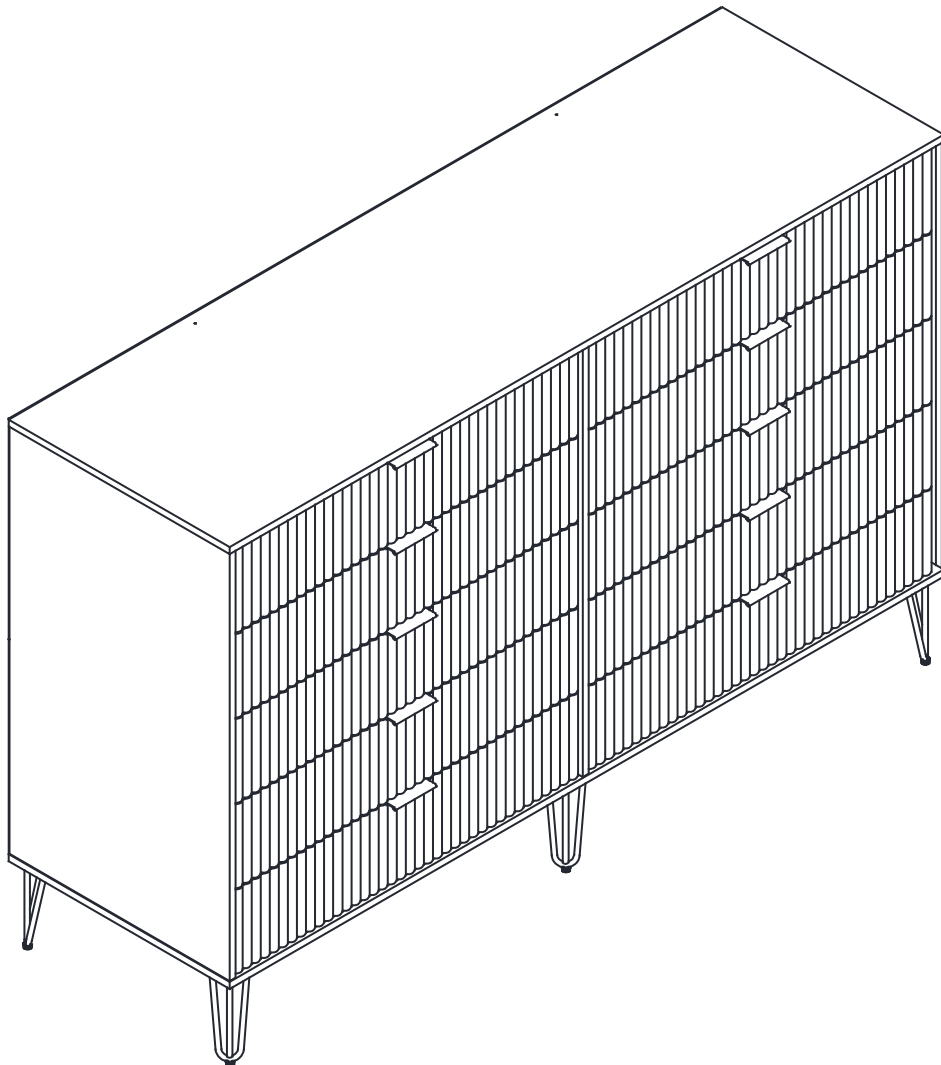
908-888-0818



MANHATTAN  
COMFORT

---

**DR004**



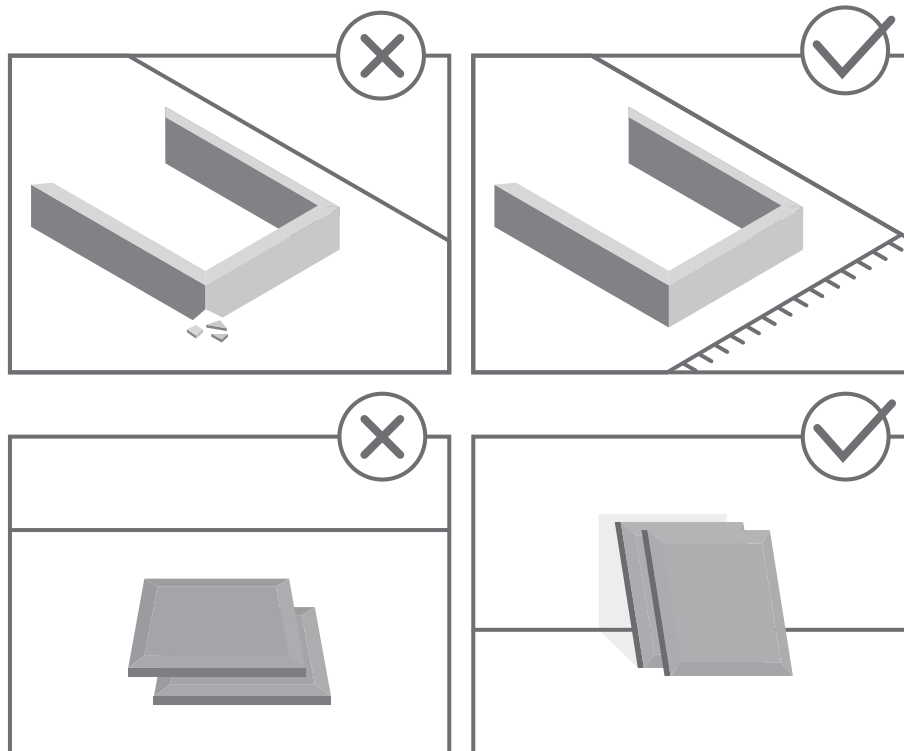


# STOP!

Before beginning the assembly process, ensure all boxes and parts have been delivered.

## FOR BEST RESULTS:

- Do not throw away packaging materials until assembly is complete.
- Assemble item on a soft surface, such as cardboard or carpet, to protect finish.
- Proper assembly requires two people.



View our assembly video online:  
[WWW.MANHATTANCOMFORT.COM](http://WWW.MANHATTANCOMFORT.COM)



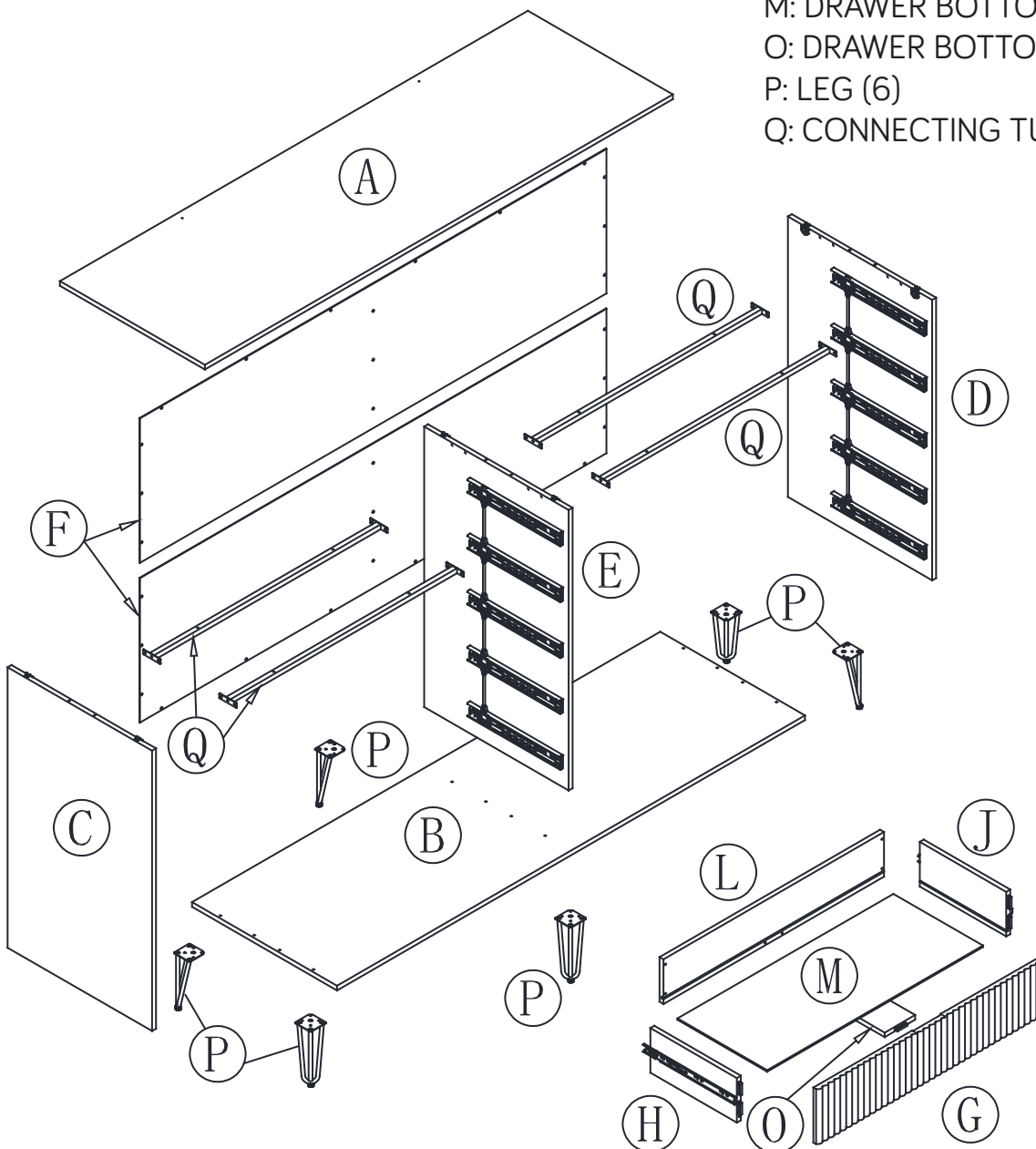
Stuck? Question? We are here to help.  
tel: 908-888-0818  
e-mail: [help@manhattancomfort.com](mailto:help@manhattancomfort.com)

Support Site



# Included in this package:

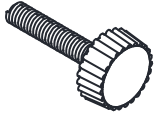
- A: TOP (1)
- B: BOTTOM (1)
- C: LEFT END (1)
- D: RIGHT END (1)
- E: MIDDLE UPRIGHT (1)
- F: BACK (2)
- G: DRAWER FRONT (10)
- H: DRAWER SIDE LEFT (10)
- J: DRAWER SIDE RIGHT (10)
- L: DRAWER BACK (10)
- M: DRAWER BOTTOM (10)
- O: DRAWER BOTTOM SUPPORT (10)
- P: LEG (6)
- Q: CONNECTING TUBE (4)



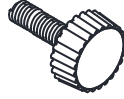
# Hardware Identification

---

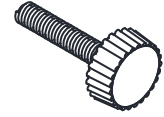
① BOLT - 66pcs  
M4\*30mm



② BOLT - 90pcs  
M4\*12mm

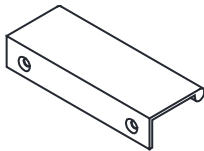


③ BOLT - 8pcs  
M4\*25mm

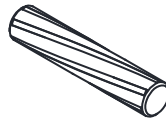


---

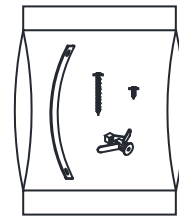
④ PULL - 10pcs

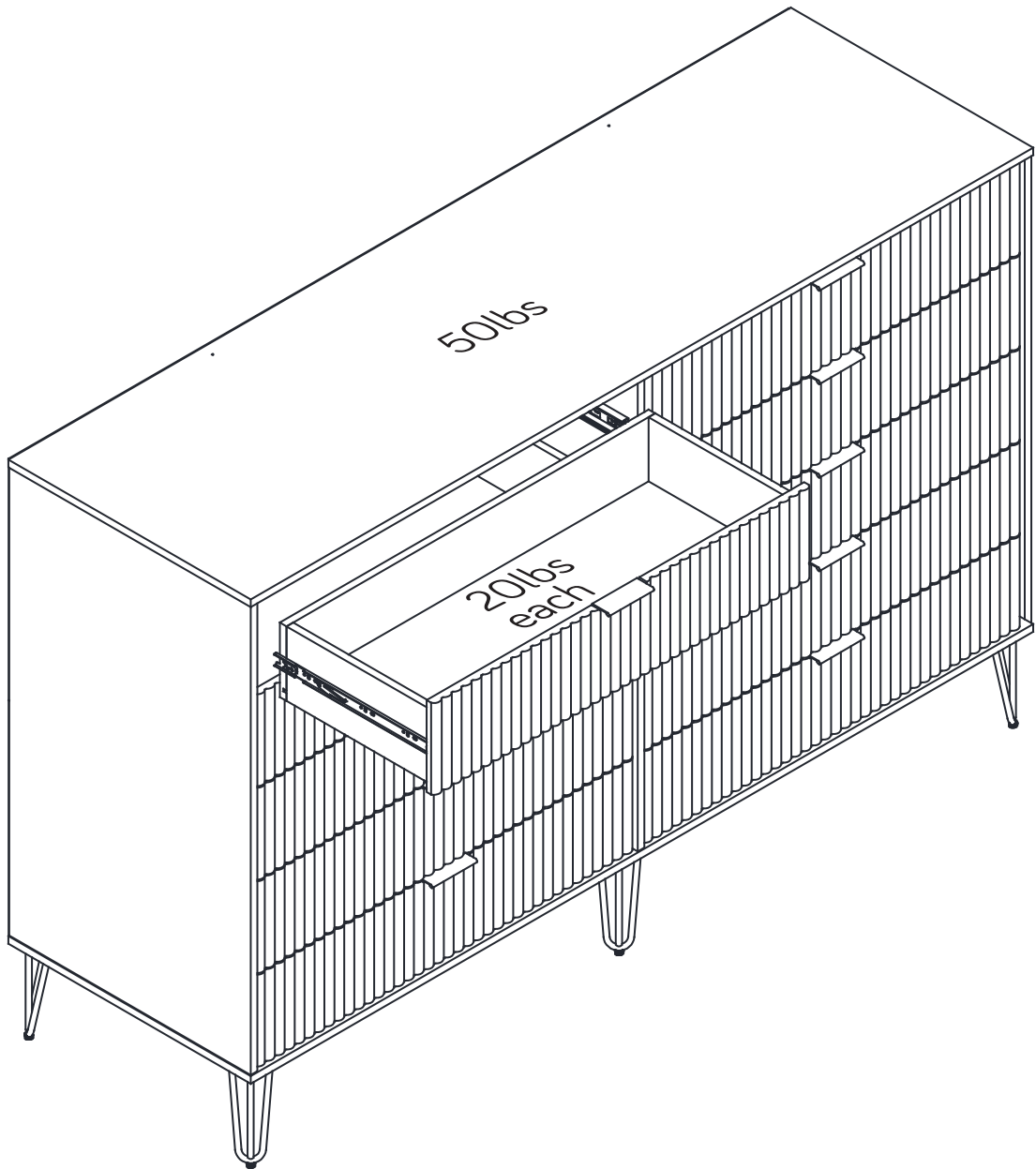


⑤ WOOD DOWEL - 12pcs  
Ø6\*30mm



⑨6 FURNITURE TIPPING  
RESTRAINT KIT - 2pcs

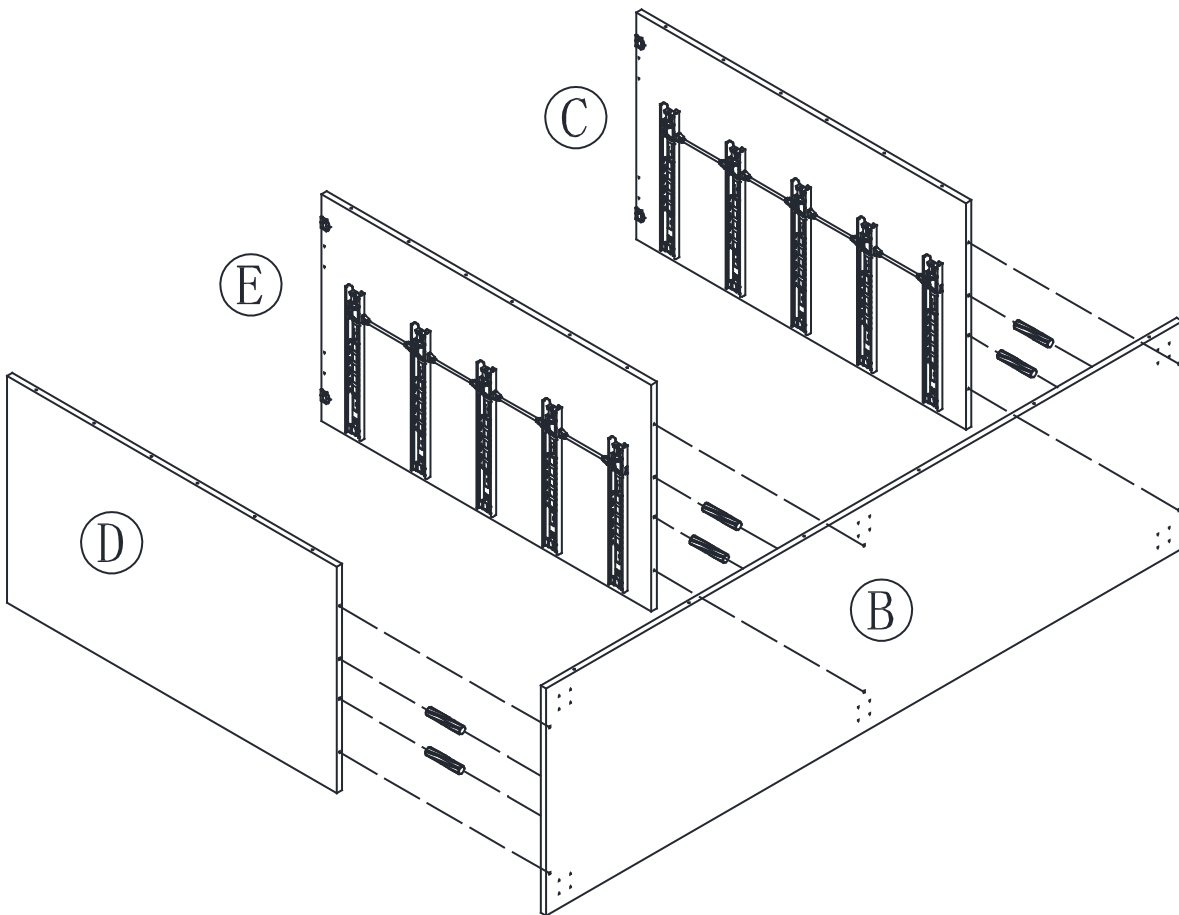
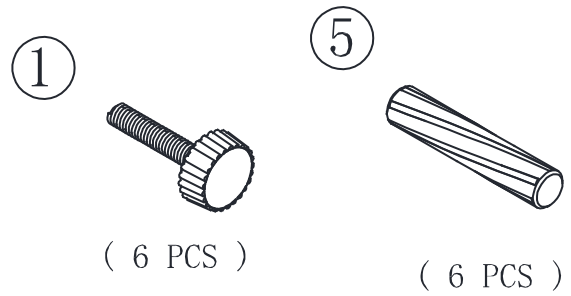






# Step 1

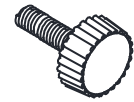
- ◆ Insert six WOOD DOWELS (5) to the BOTTOM (B).
- ◆ Attach the BOTTOM (B) to the ENDS ( C and D ) and the MIDDLE UPRIGHT ( E ), fasten the BOTTOM ( B ) by using six BOLTS ( 1 ).



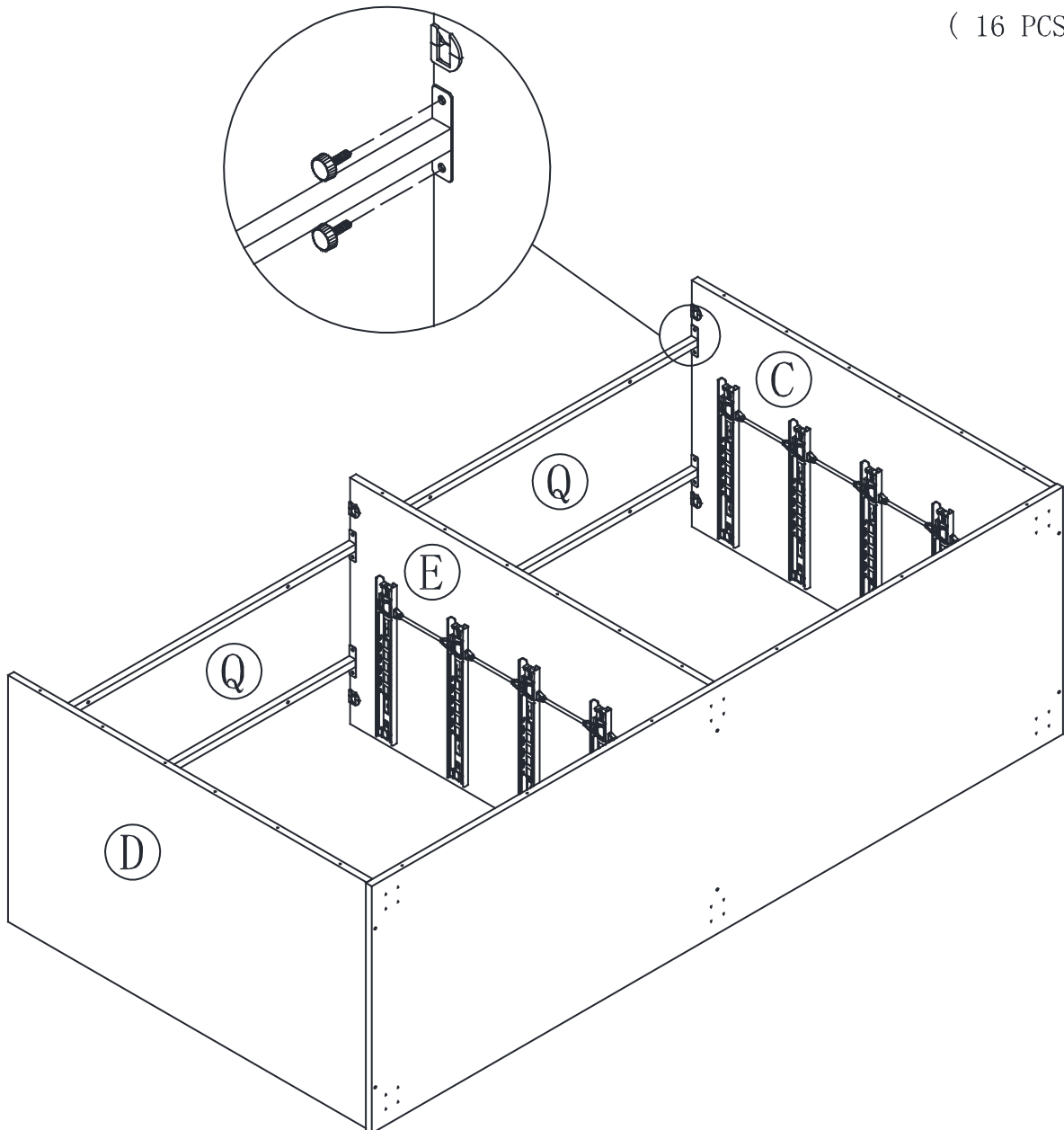
# Step 2

- ◆ Attach the four CONNECTING TUBES (Q) to the ENDS (C and D) and the MIDDLE UPRIGHT (E), by using sixteen BOLTS (2).

②

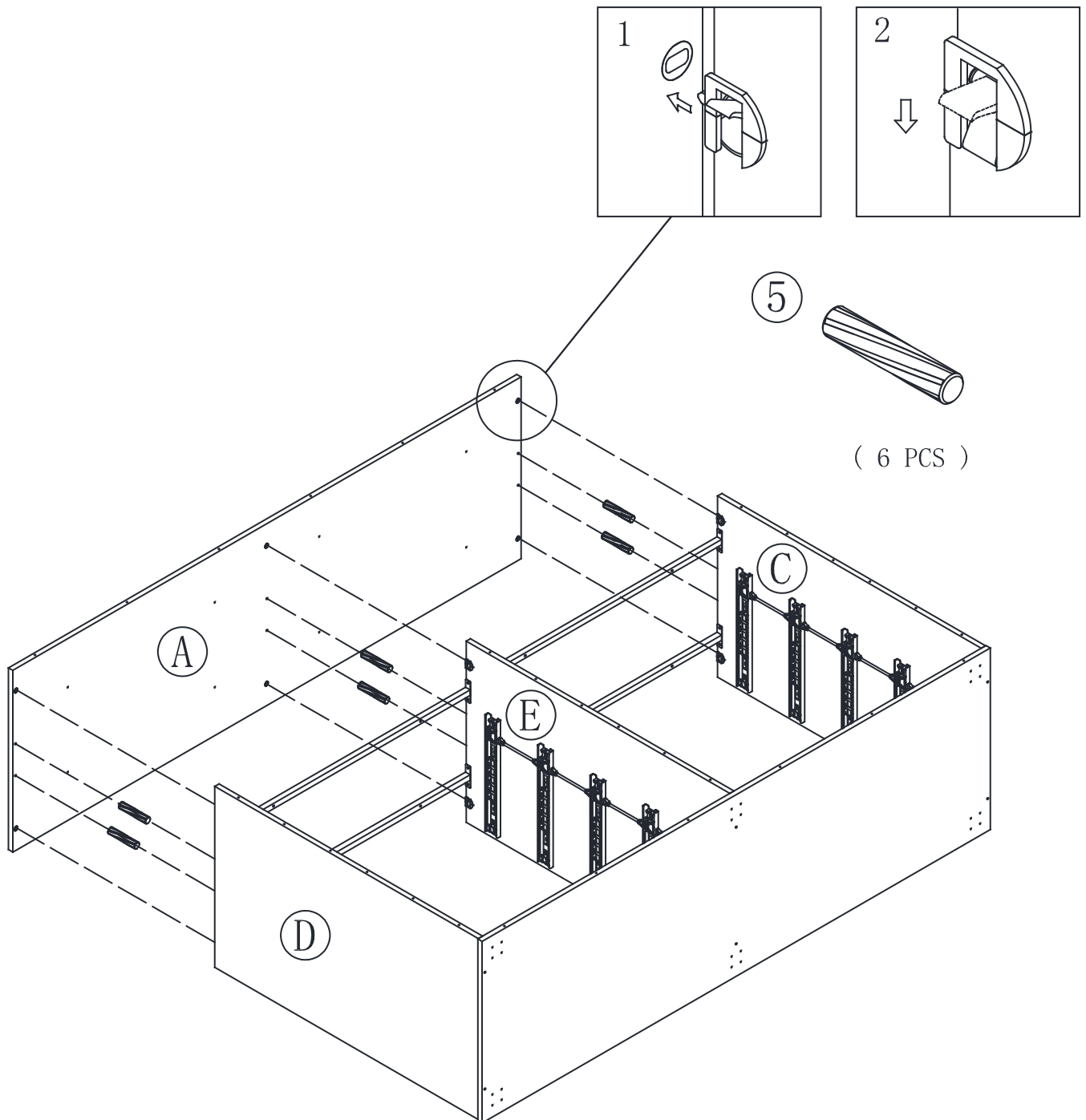


( 16 PCS )



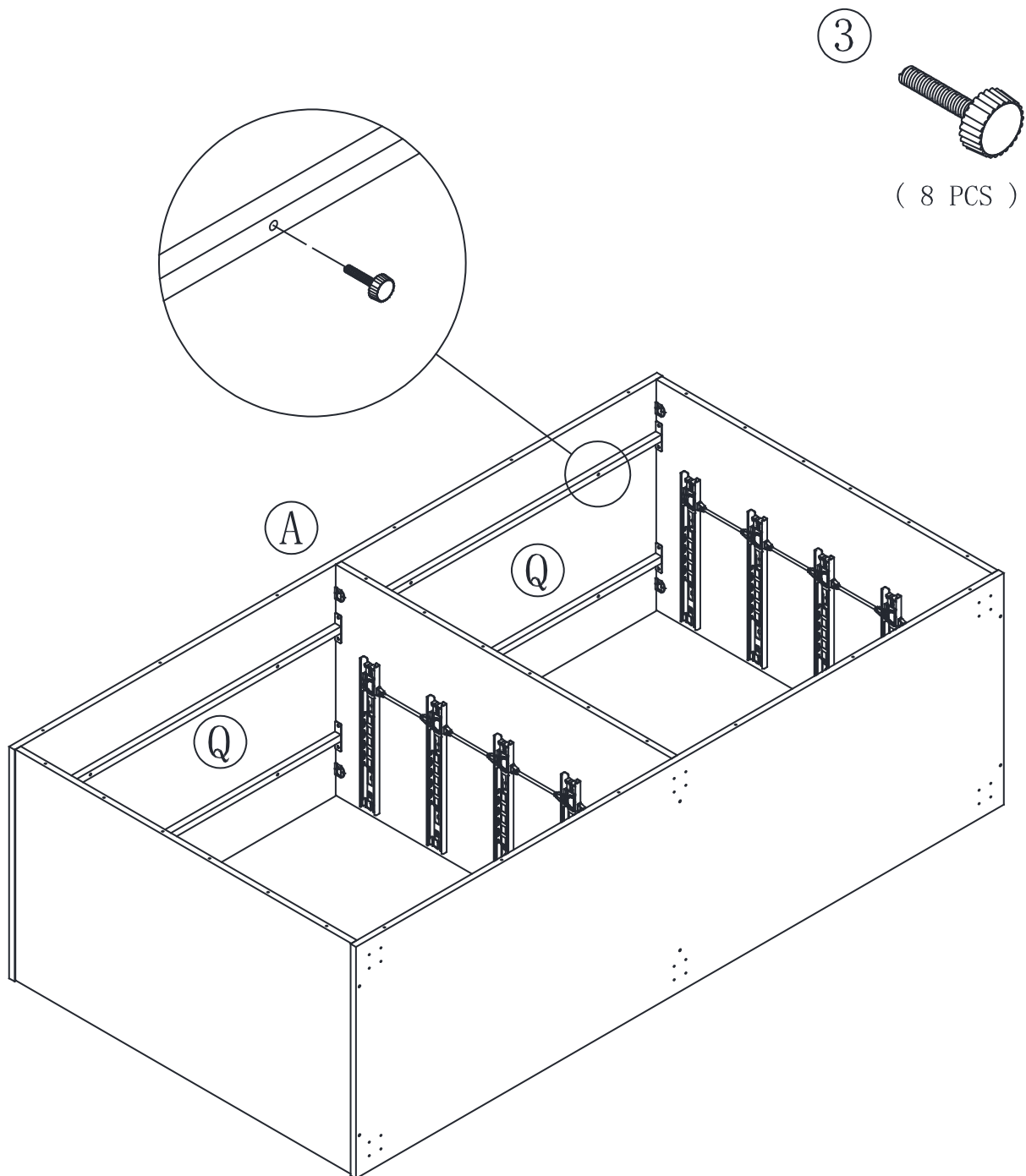
# Step 3

- ◆ Insert six WOOD DOWELS (5) to the TOP (A).
- ◆ Attach the TOP (A) to the ENDS (C and D) and the MIDDLE UPRIGHT (E), tighten six PLASTIC CAM LOCKS.



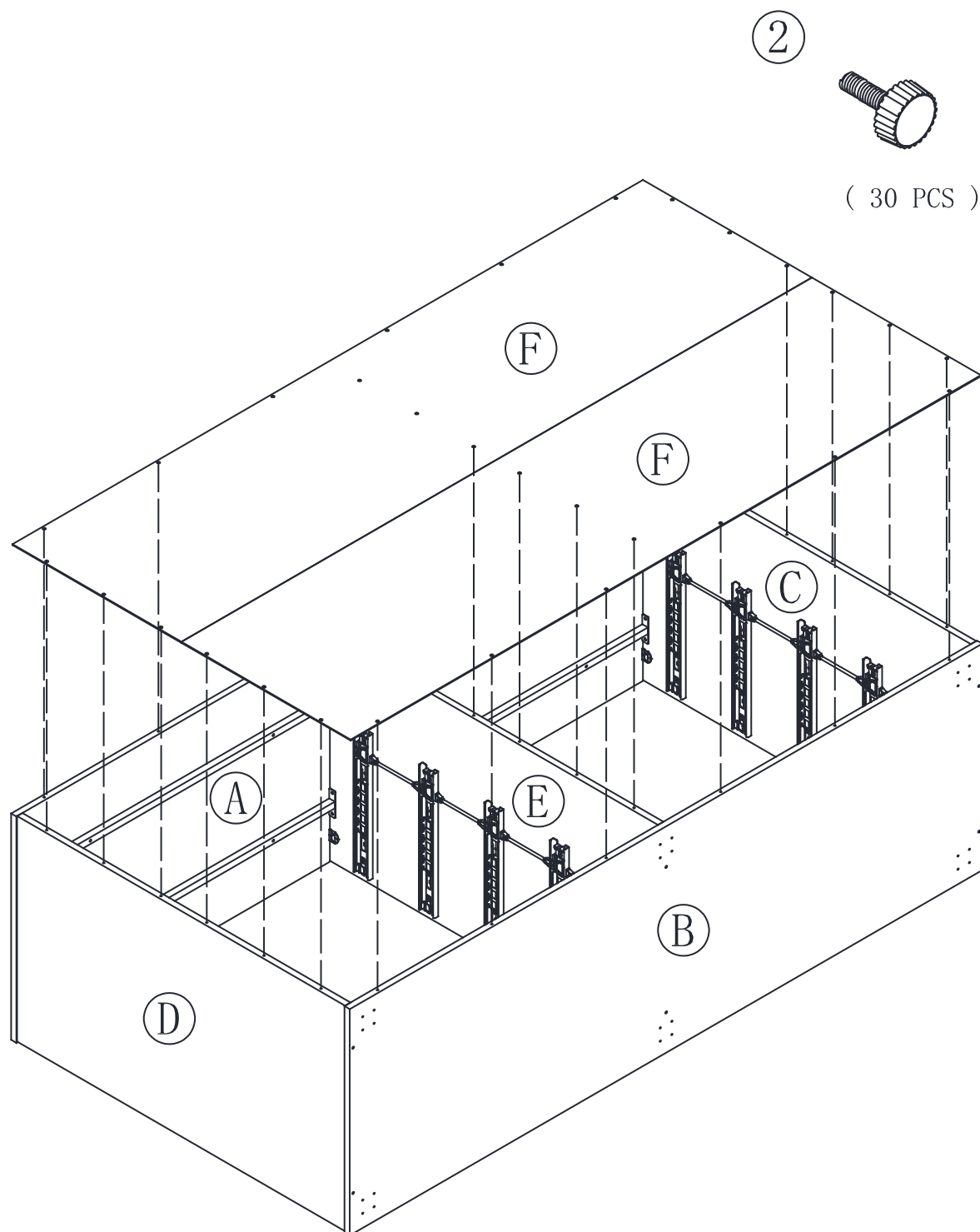
# Step 4

- ◆ Fasten four CONNECTING TUBES (Q) to the TOP (A) by using eight BOLTS (3).



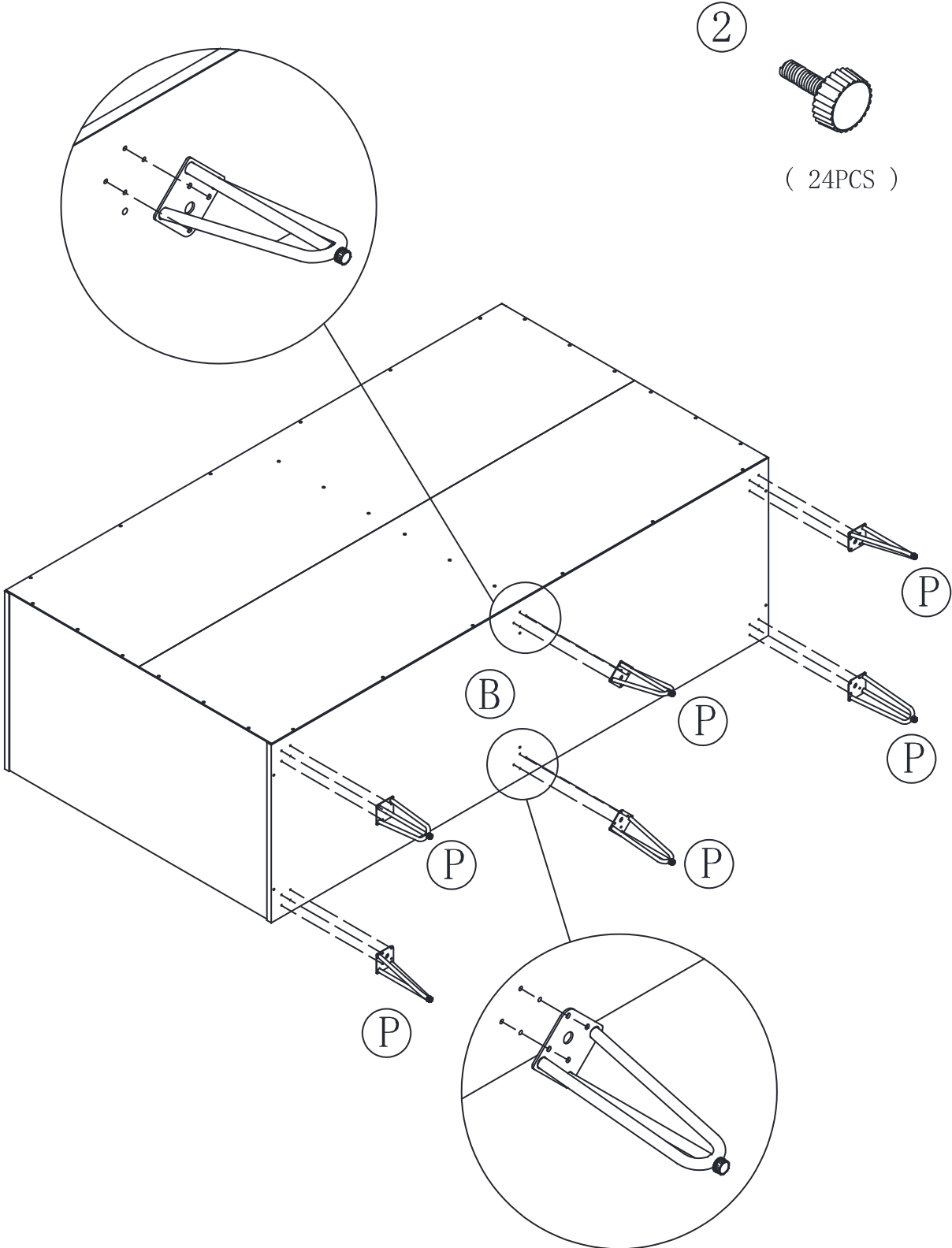
# Step 5

- ◆ Fasten two BACKS (F) to the TOP (A), the ENDS (C and D), the MIDDLE UPRIGHT (E) and the BOTTOM (B) by using thirty BOLTS (2).
- ◆ You should start each BOLT a few turns before completely tightening any of them.



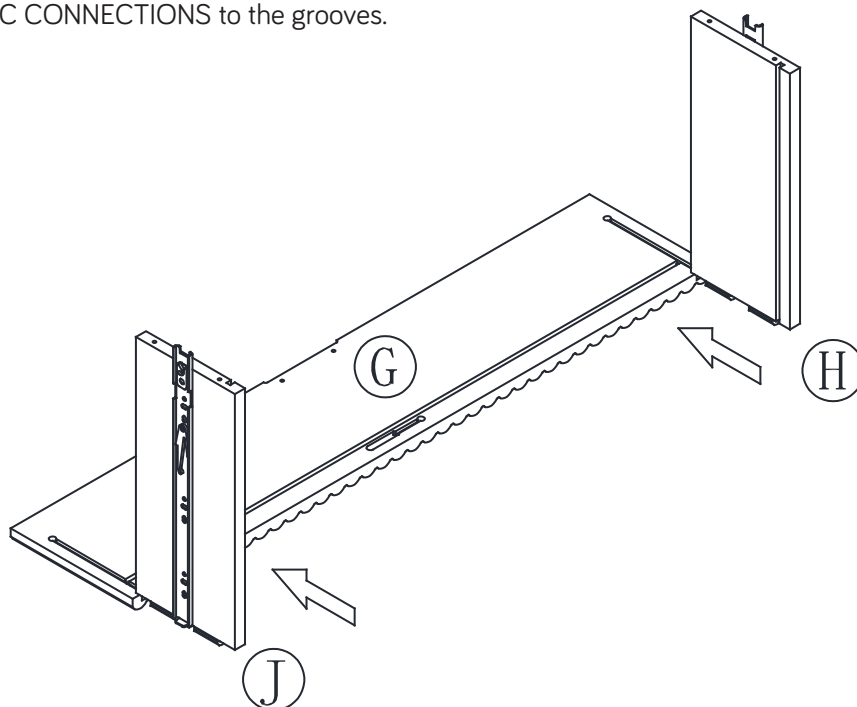
# Step 6

◆ Fasten the LEGS (P) to the BOTTOM (B) by using twenty four BOLTS (2).



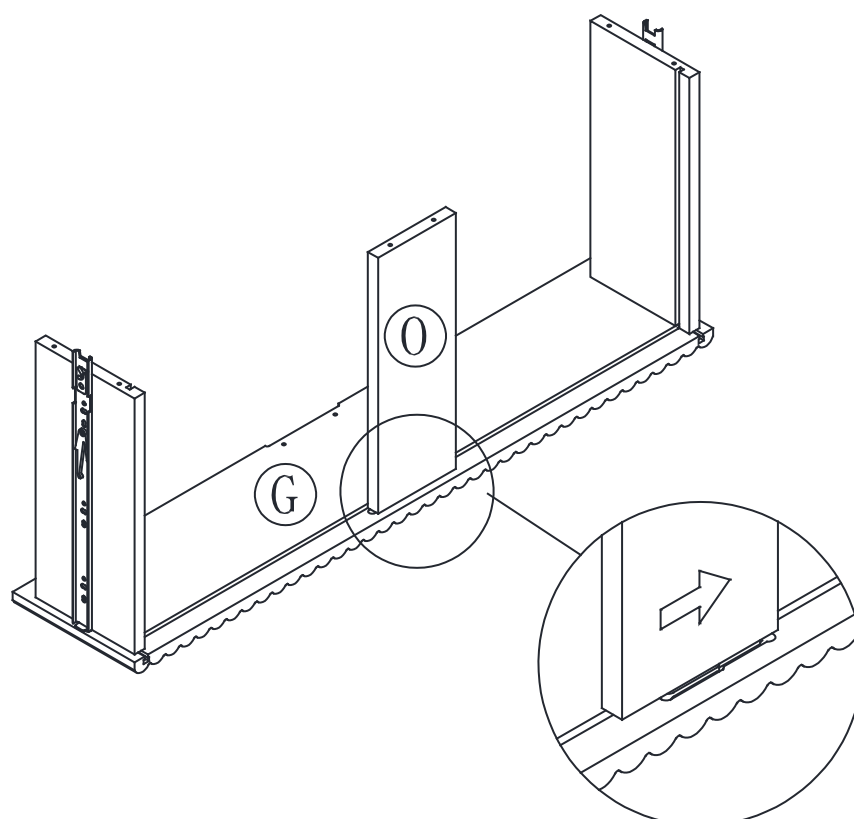
# Step 7

- ◆ Attach the DRAWER SIDES (J and H) to the DRAWER FRONT (G), slide the PLASTIC CONNECTIONS to the grooves.



X 10

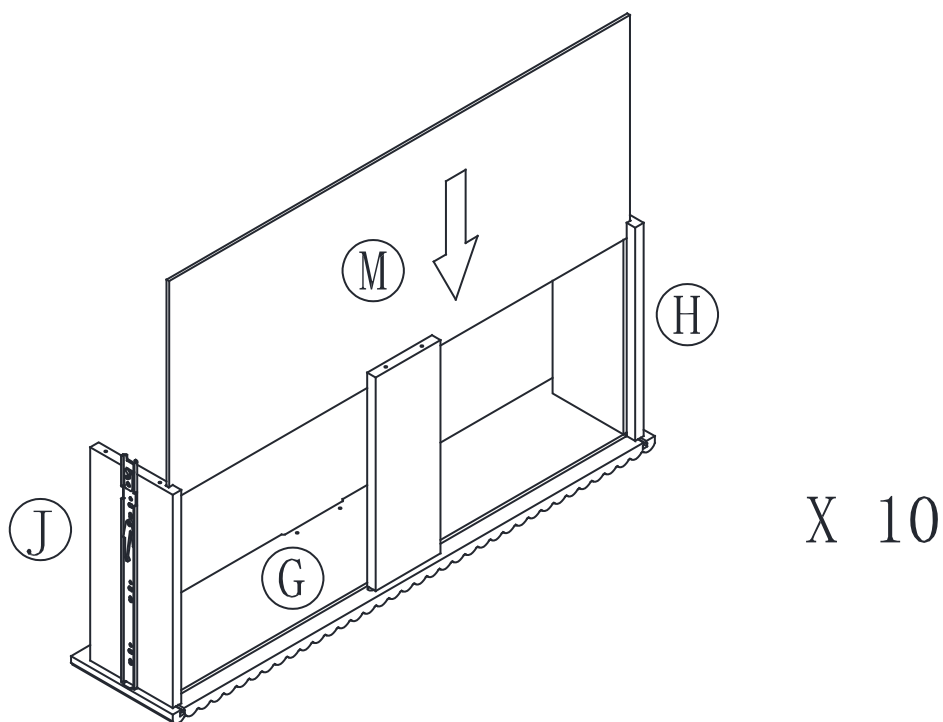
- ◆ Slot the DRAWER BOTTOM SUPPORT (O) to the DRAWER FRONT (G).



X 10

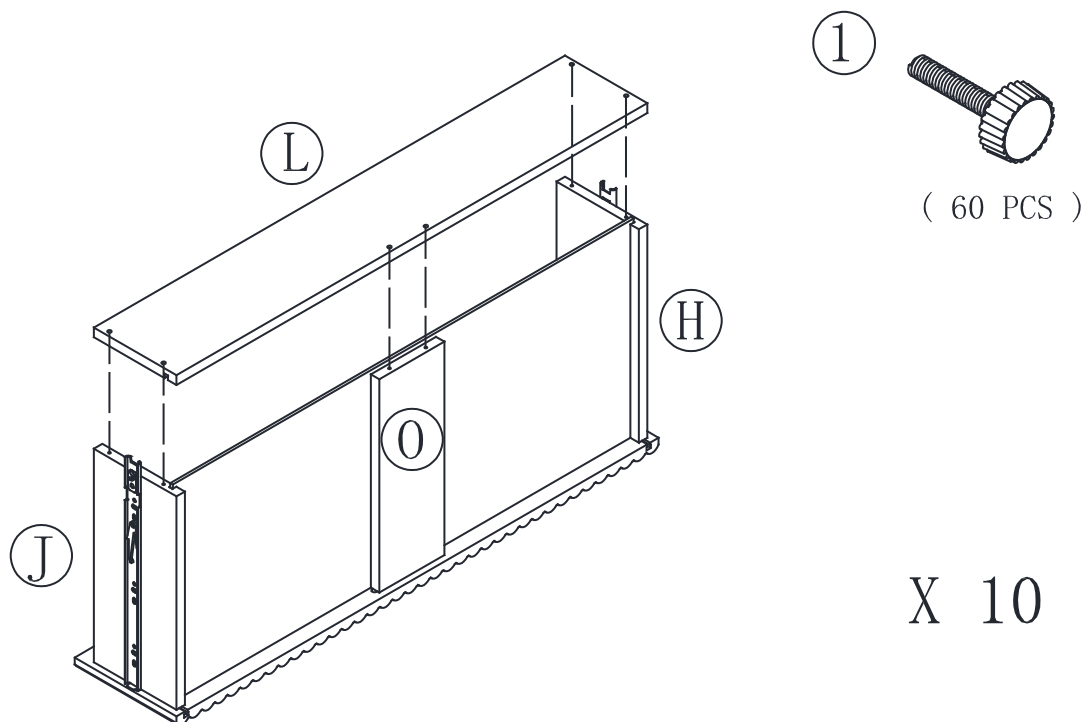
# Step 8

- ◆ Slide the DRAWER BOTTOM (M) into the grooves, in the DRAWER SIDES (J and H), and the DRAWER FRONT (G).



- ◆ Fasten the DRAWER BACK (L) to the DRAWER SIDES (J and H) and the DRAWER BOTTOM SUPPORT (O) by using six BOLTS (1).

Repeat the Step 7 and Step 8 on the other drawers.





# Step 9

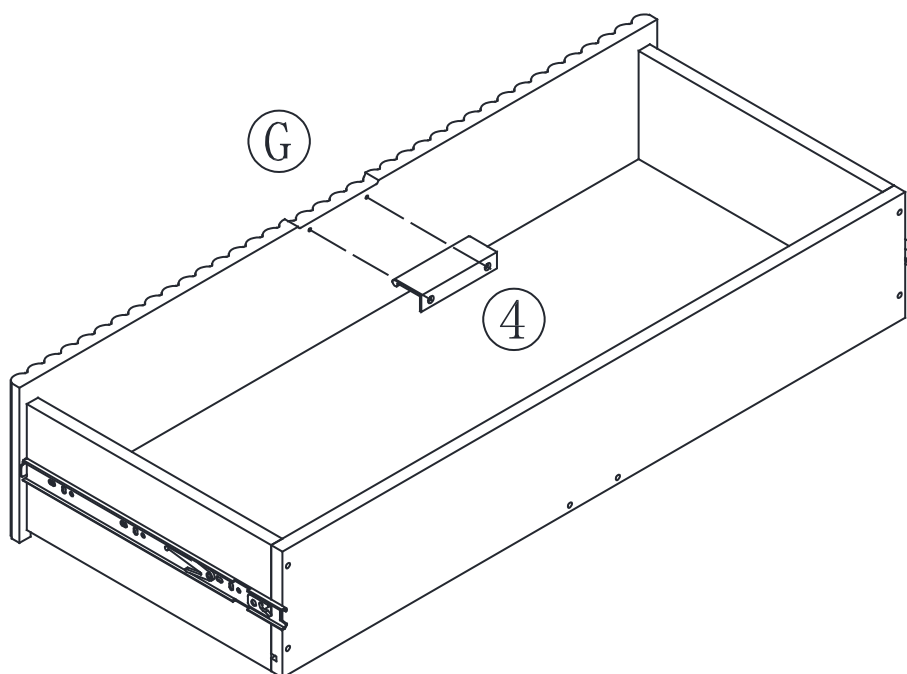
- ◆ Use two BOLTS (2) to fasten the PULL (4) to the DRAWER FRONT (G).

Repeat the same on the other drawers.

②



( 20PCS )



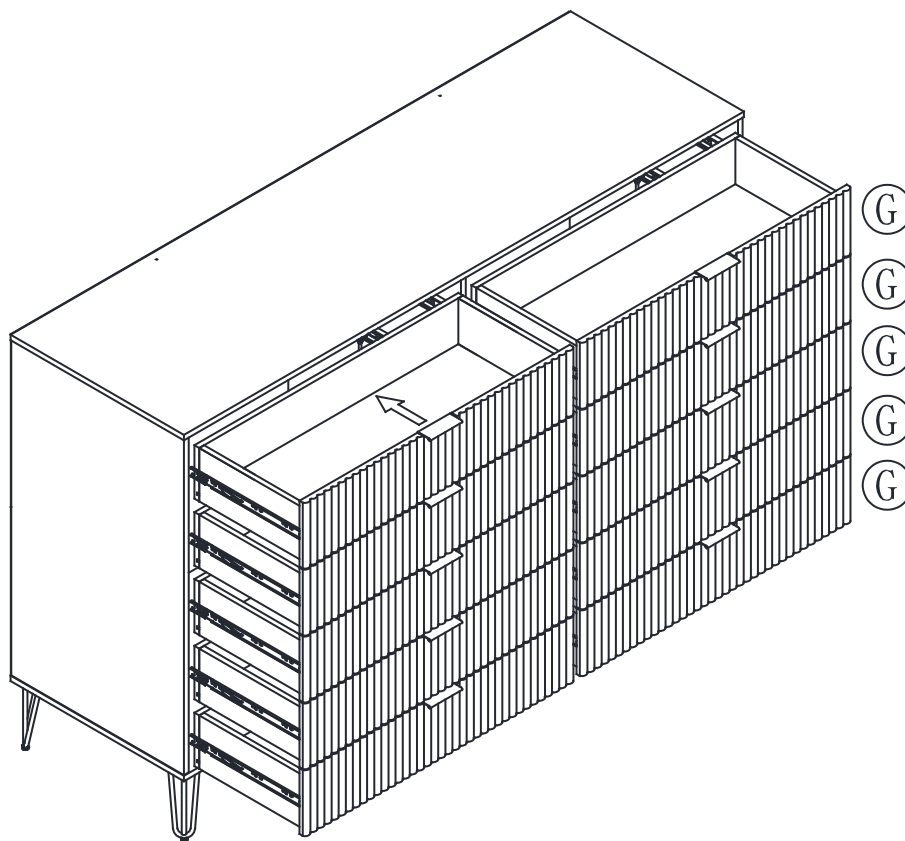
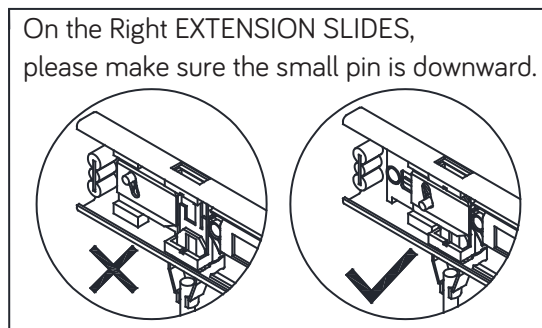
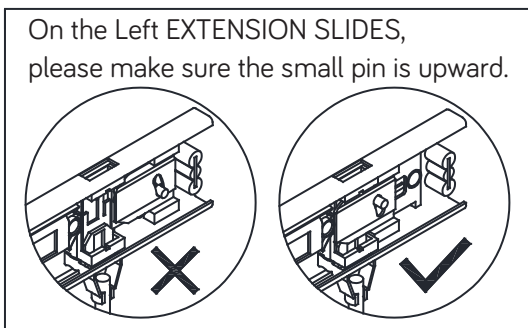
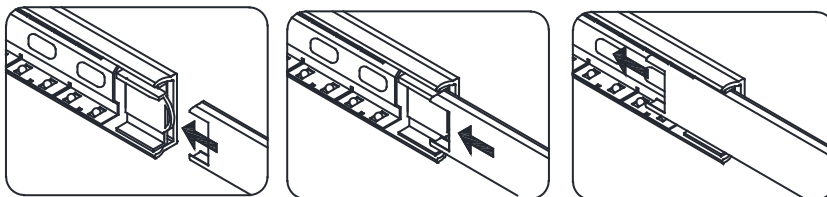
X 10

# Step 10

To insert the DRAWER into your unit, line up the EXTENSION SLIDES on the drawer with the EXTENSION RAILS on the unit and push the drawer into the unit.

- ◆ Before the drawer is fully inserted, please make sure the interlock pins on the EXTENSION SLIDES on the drawer is pushed forward as shown on the diagram. The drawer should push in hard until it is all the way in, then it will slide in and out easier.

Attention: This unit used Drawer Interlocking System, when one drawer is open, the other drawers cannot be opened.



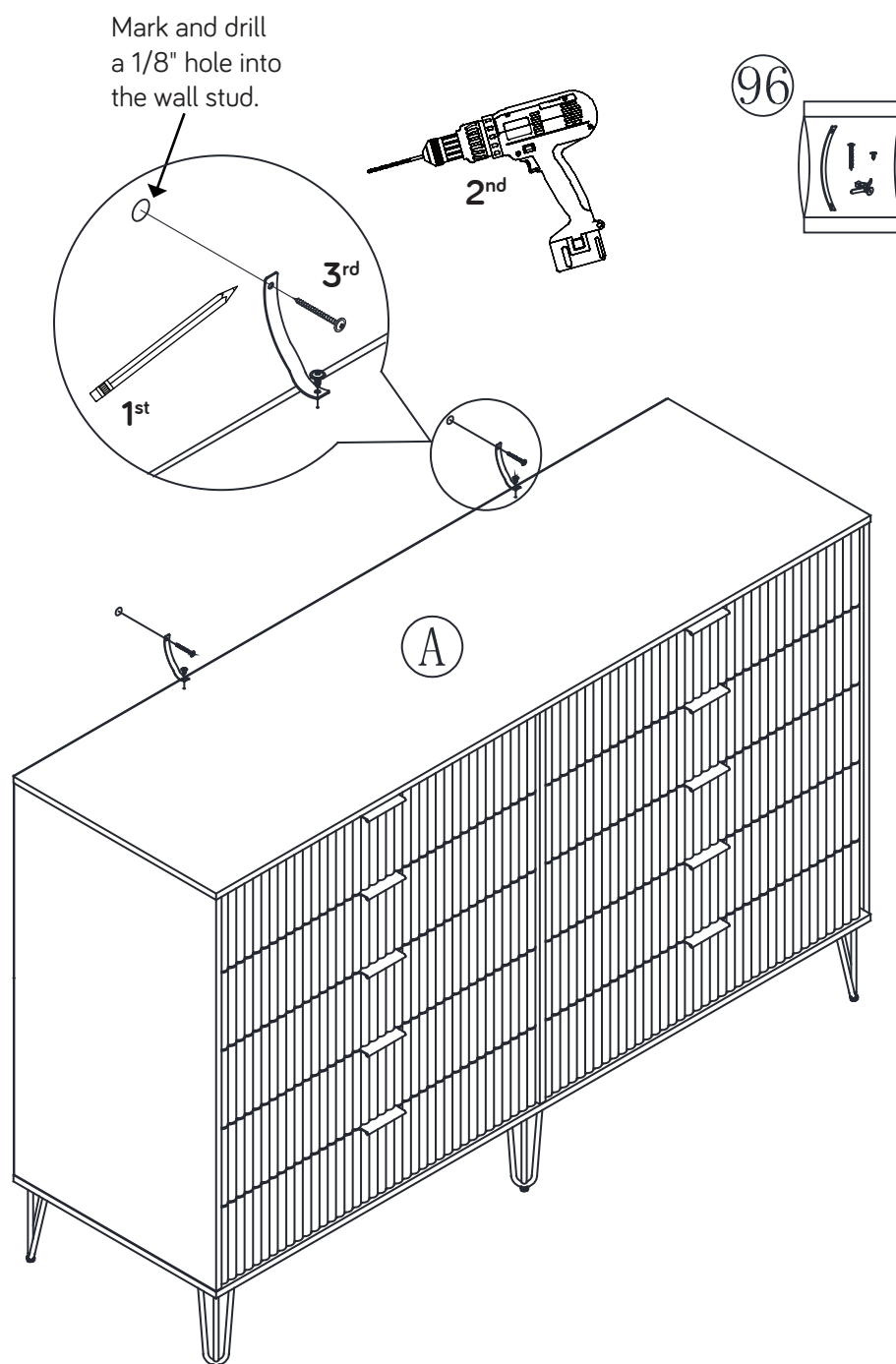
# Step 11

Open the FURNITURE TIPPING RESTRAINT KIT (96) and fasten the SAFETY STRAP to the TOP (A).

- ◆ Use the SHORT SCREW through the hole in the strap and into the top surface of the TOP (1). Place your unit in its final location.
- ◆ NOTE: The following instructions show your unit being fastened to a wall stud. If you are not fastening your unit wall stud, go to the next step now.

1st- Locate the center of a stud in your wall near your unit and mark it with a pencil.

- ◆ 2nd- Drill a 1/8" hole on the mark and into the stud in your wall.
- ◆ 3rd- Fasten the unit to the wall. Use the LONG SCREW through the other end of the SAFETY STRAP and into the 1/8" hole.



# Step 12

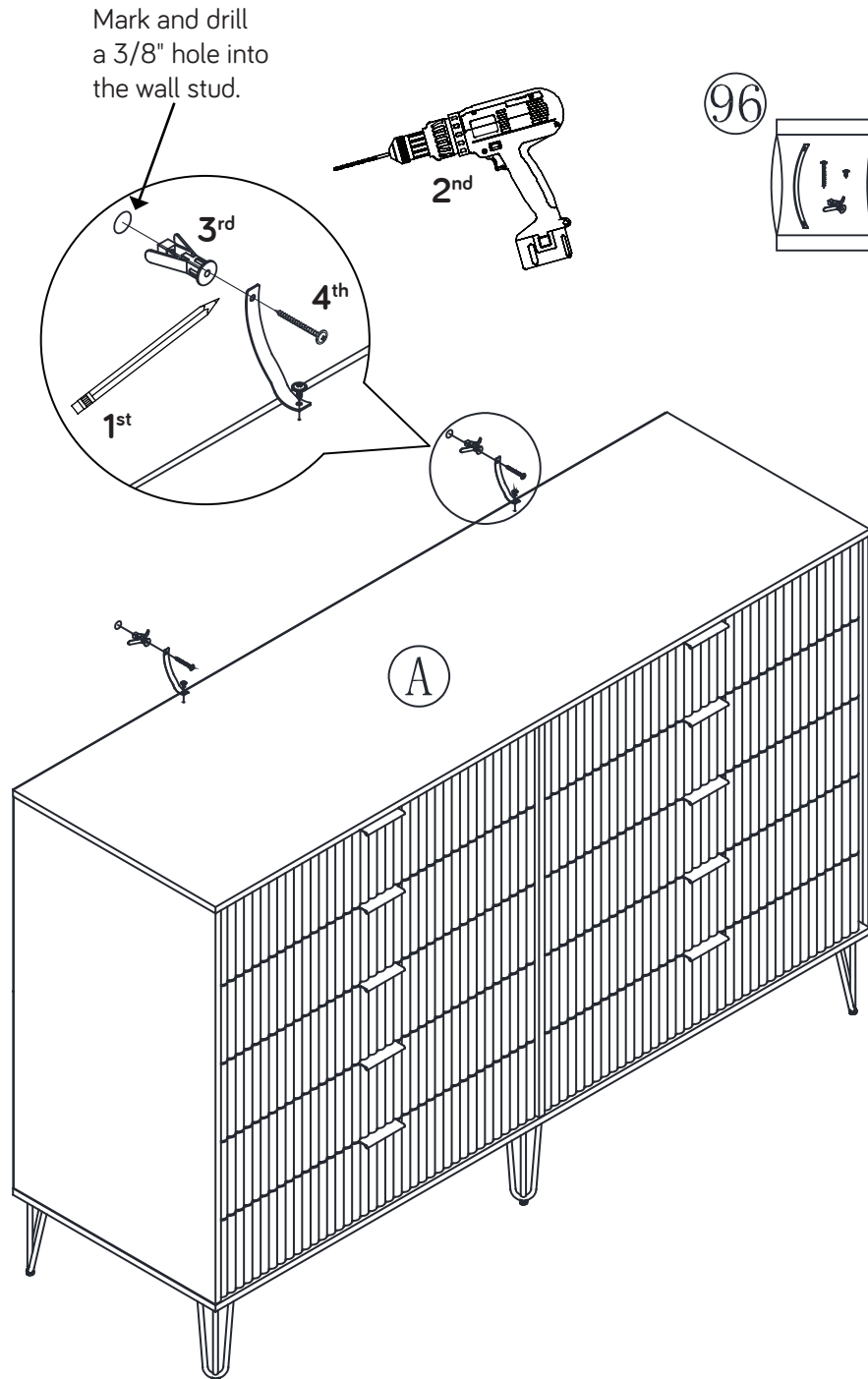
1st- With your pencil, strike a mark through the center of the hole in the SAFETY STRAP.

2nd- Drill a 3/8" hole on the mark.

◆ 3rd- While you squeeze the wings together, gently tap the WALL ANCHOR from the FURNITURE TIPPING RESTRAINT KIT (96) into the hole until it is even with the surface of the wall.

4th- Turn the LONG SCREW through the hole in the SAFETY STRAP and into the WALL ANCHOR.

◆ NOTE: You will need to turn the LONG SCREW multiple turns to completely tighten and secure your unit.





MANHATTAN  
COMFORT

---

## **WARRANTY POLICY**

All Manhattan Comfort furniture products are warranted, to the original purchaser at the time of purchase and for a period of 30 days thereafter.

Our warranty is limited to new products purchased in factory sealed cartons. This warranty is valid in the United States of America and Canada.

In order to provide you with timely assistance, please thoroughly inspect your furniture for missing or defective parts immediately after opening the carton.

Manhattan Comfort offers a 30-day parts replacement warranty on all items.

Our furniture products are not intended for outdoor use.

### THE WARRANTY DOES NOT COVER:

- Defects/damages by improper assembly or disassembly.
- Defects/damages caused by shipping. Claims for damage during transit should be placed immediately to the transportation company.
- Defects/damages caused by inappropriate use of the furniture.



319 Ridge Rd. Dayton, NJ 08810

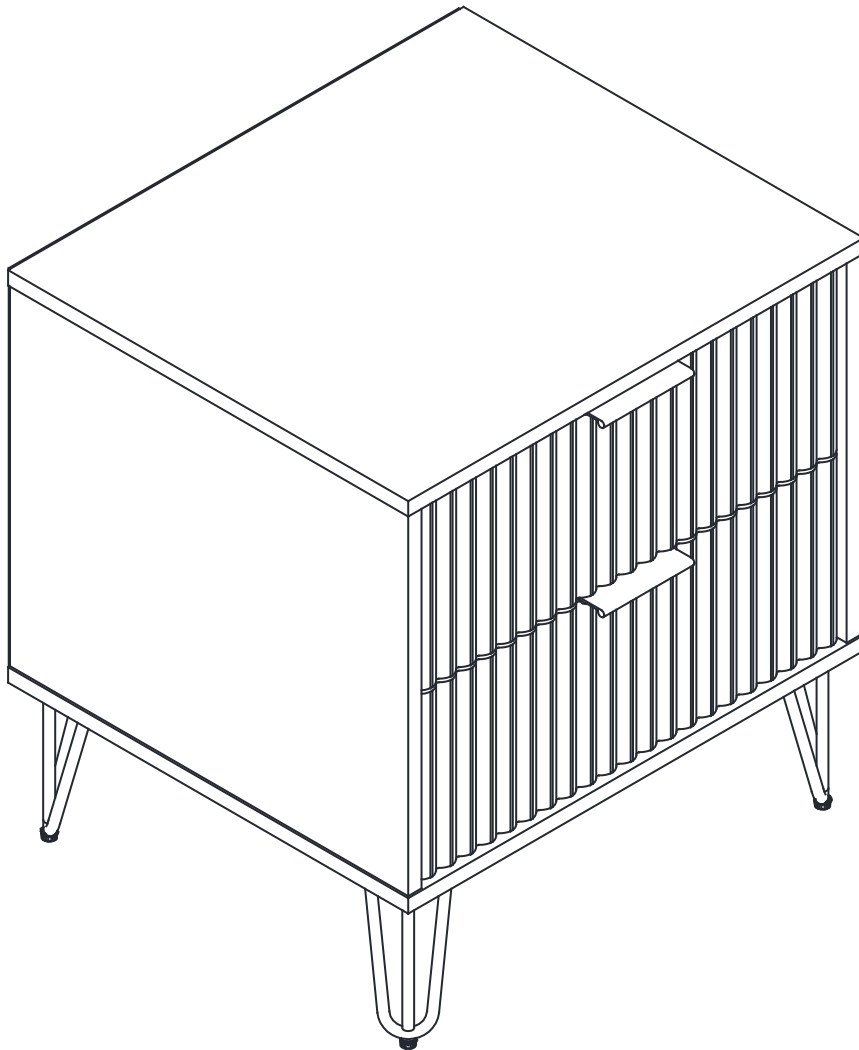
908-888-0818



MANHATTAN  
COMFORT

---

**NS002**



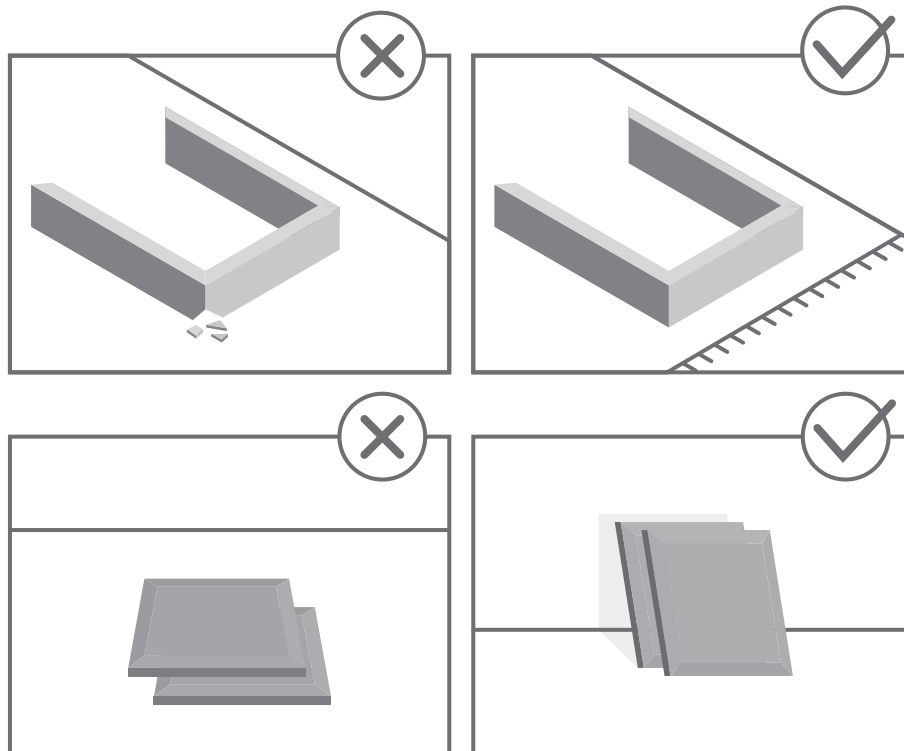


# STOP!

Before beginning the assembly process, ensure all boxes and parts have been delivered.

## FOR BEST RESULTS:

- Do not throw away packaging materials until assembly is complete.
- Assemble item on a soft surface, such as cardboard or carpet, to protect finish.
- Proper assembly requires two people.



View our assembly video online:  
[WWW.MANHATTANCOMFORT.COM](http://WWW.MANHATTANCOMFORT.COM)



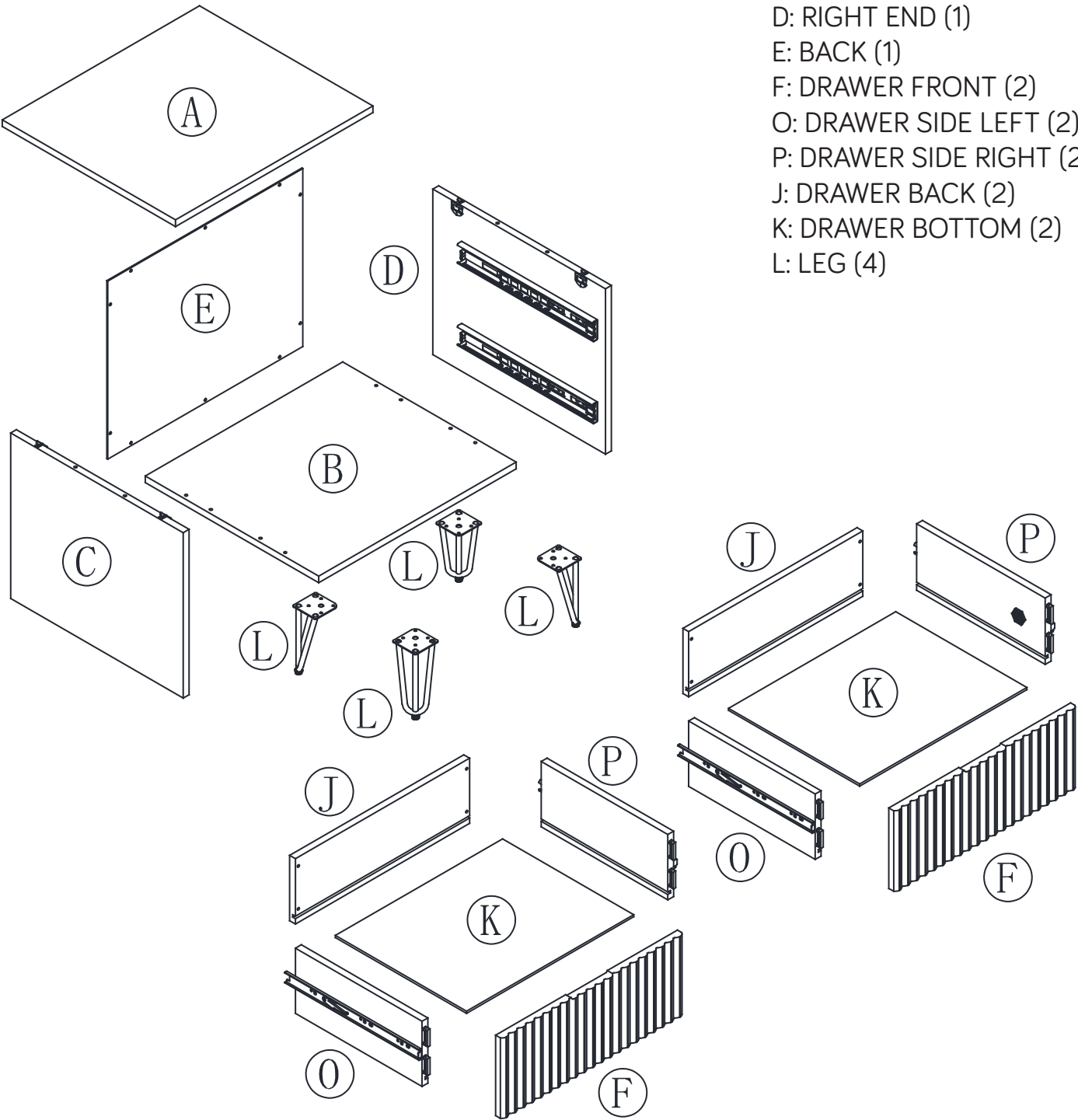
Stuck? Question? We are here to help.  
tel: 908-888-0818  
e-mail: [help@manhattancomfort.com](mailto:help@manhattancomfort.com)

Support Site



# Included in this package:

- A: TOP (1)
- B: BOTTOM (1)
- C: LEFT END (1)
- D: RIGHT END (1)
- E: BACK (1)
- F: DRAWER FRONT (2)
- O: DRAWER SIDE LEFT (2)
- P: DRAWER SIDE RIGHT (2)
- J: DRAWER BACK (2)
- K: DRAWER BOTTOM (2)
- L: LEG (4)

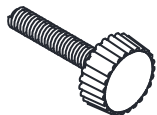




# Hardware Identification

---

① BOLT - 12pcs  
M4\*30mm



② BOLT - 30pcs  
M4\*12mm

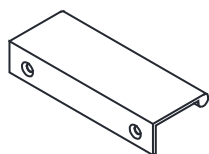


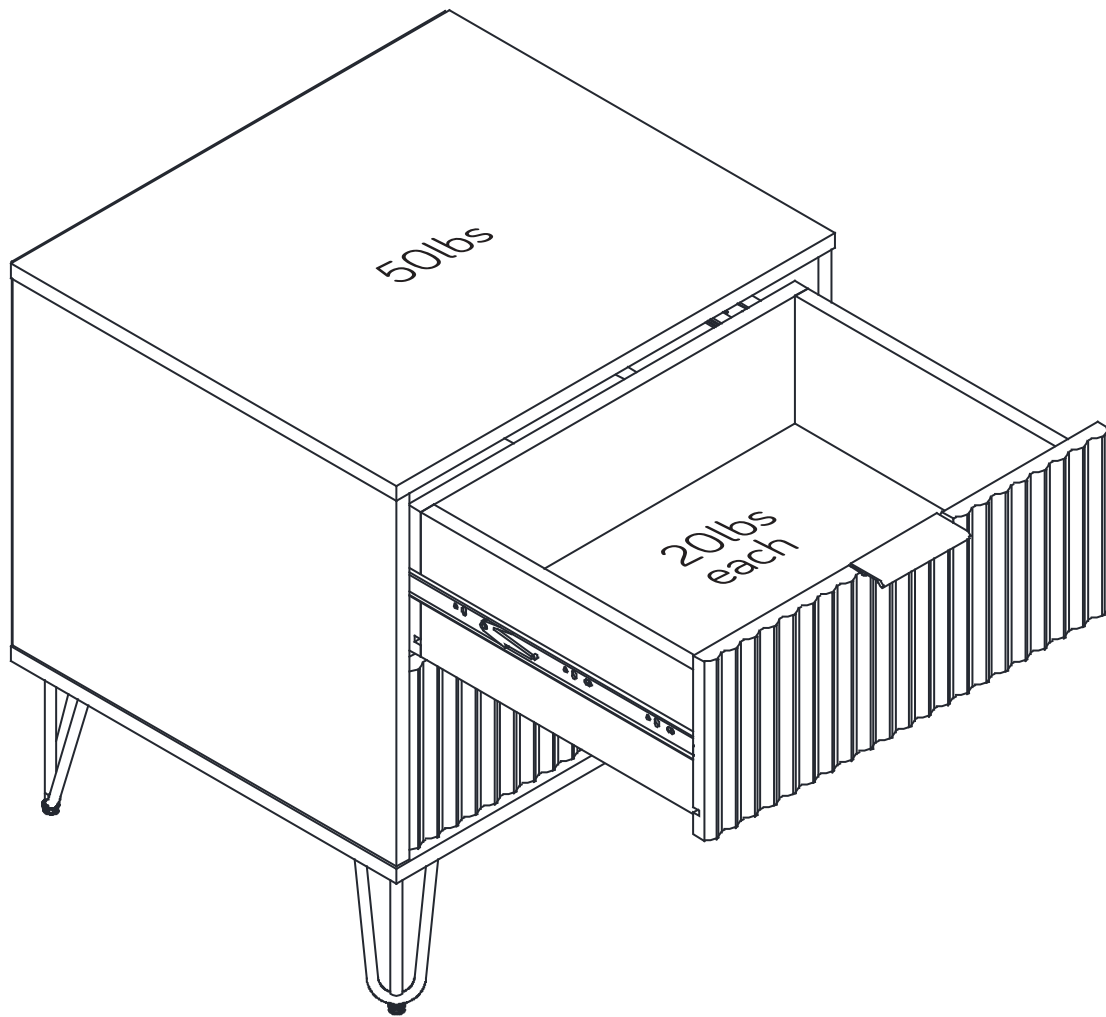
③ WOOD DOWEL - 8pcs  
Ø6\*30mm



---

④ PULL - 2pcs

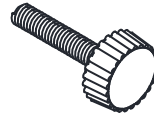




# Step 1

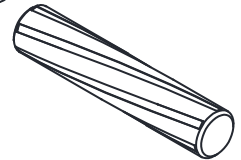
- ◆ Insert four WOOD DOWELS (3) to the BOTTOM (B).
- ◆ Attach the BOTTOM (B) to the ENDS ( C and D), fasten the BOTTOM (B) by using four BOLTS (1).

①

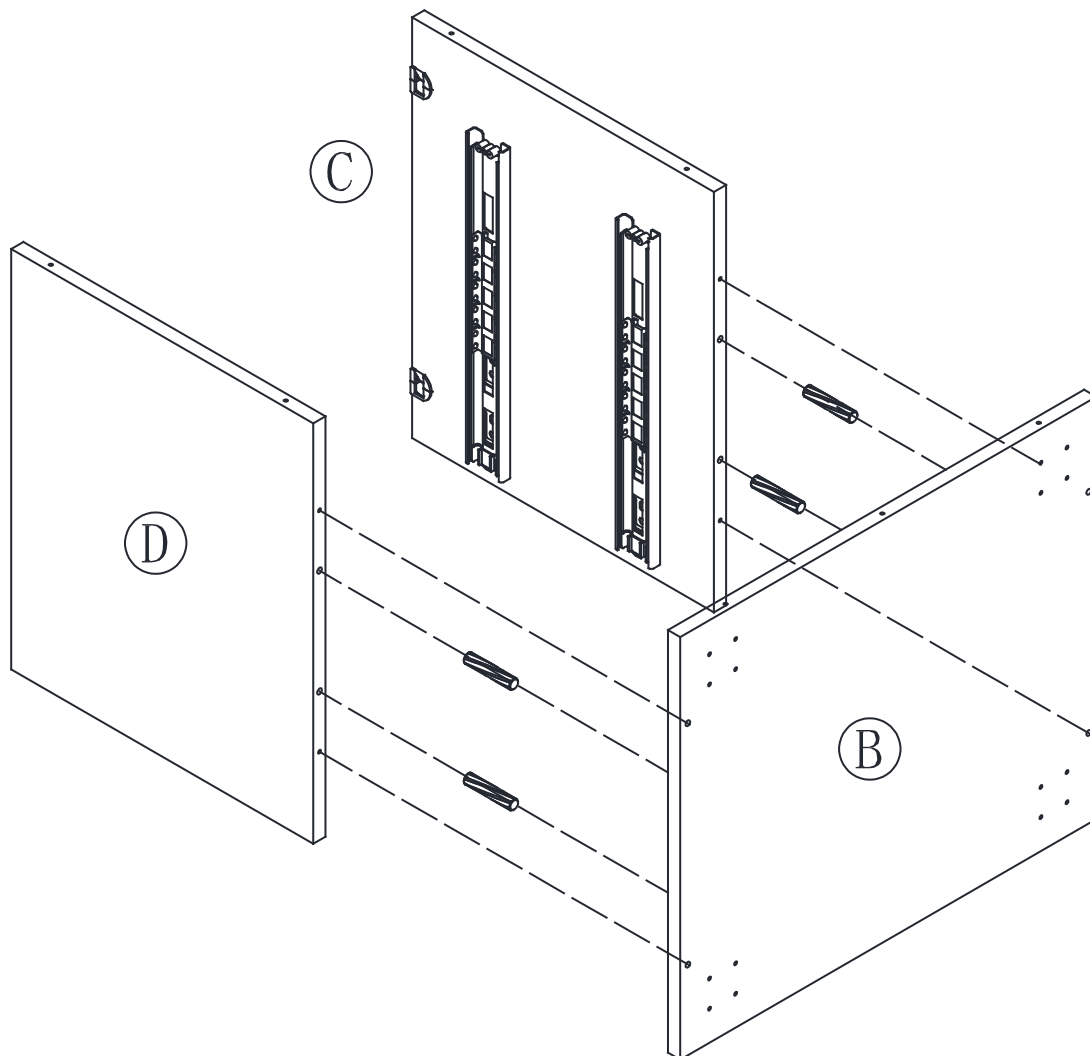


( 4 PCS )

③

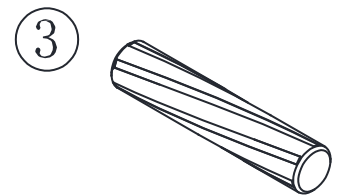
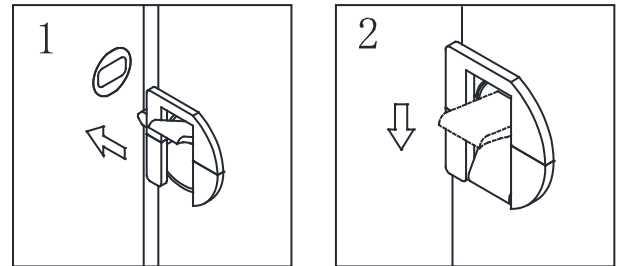


( 4 PCS )

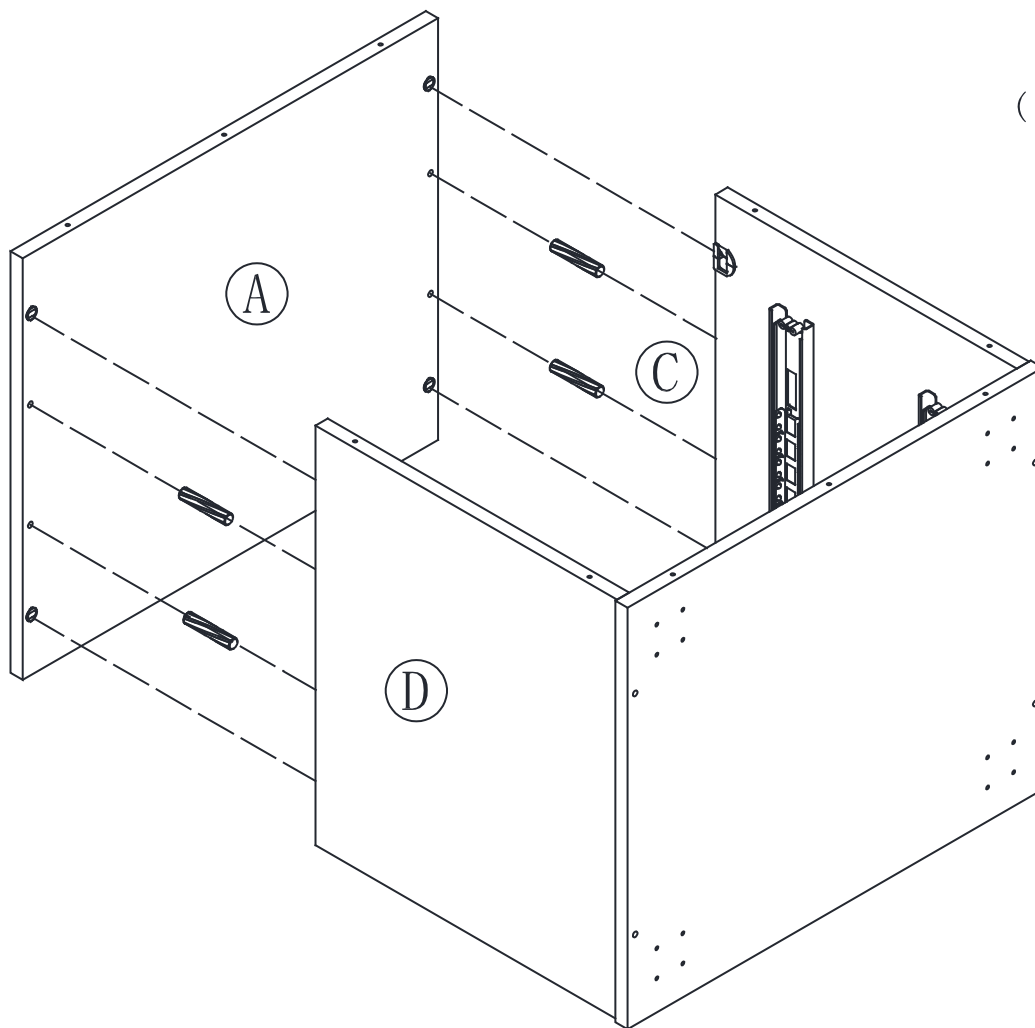


# Step 2

- ◆ Insert four WOOD DOWELS (3) to the TOP (A).
- ◆ Attach the TOP (A) to the ENDS (C and D), tighten four PLASTIC CAM LOCKS.

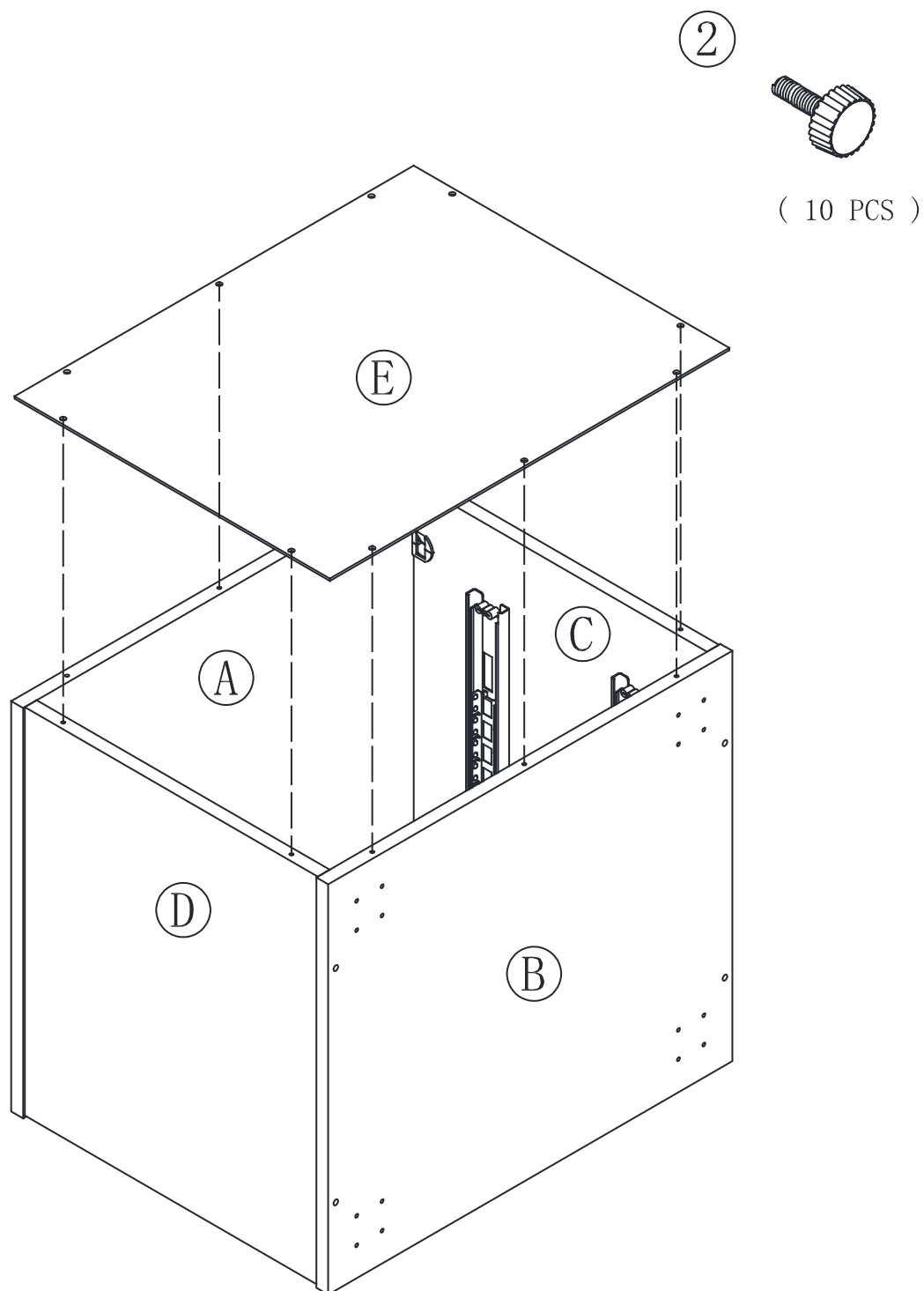


( 4 PCS )



# Step 3

- ◆ Fasten the BACK (E) to the TOP (A), ENDS (C and D) and the BOTTOM (B) by using ten BOLTS (2).
- ◆ You should start each BOLT a few turns before completely tightening any of them.



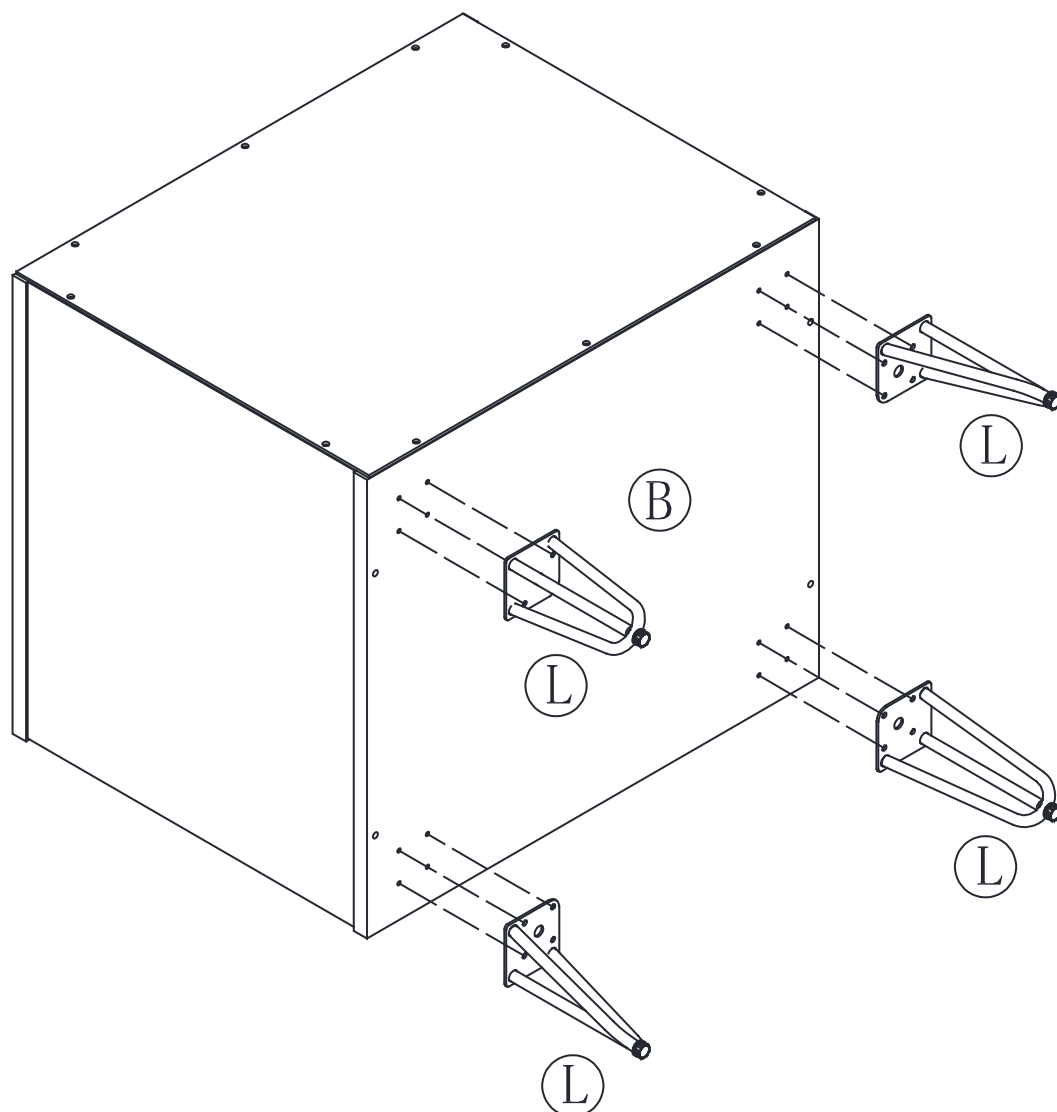
# Step 4

◆ Fasten the LEGS (L) to the BOTTOM (B) by using sixteen BOLTS (2).

②



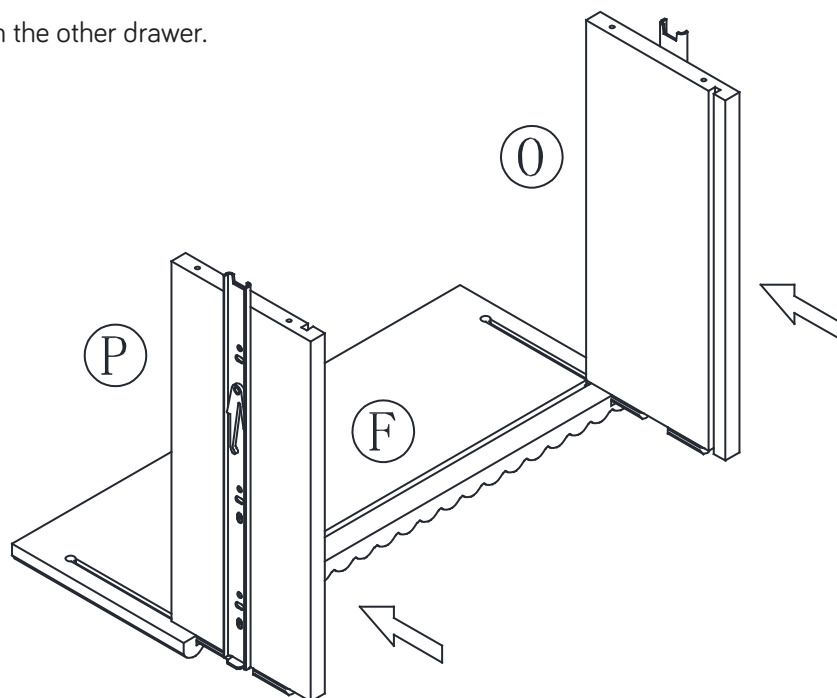
( 16PCS )



# Step 5

- ◆ Attach the DRAWER SIDES (P and O) to the DRAWER FRONT (F), slide the PLASTIC CONNECTIONS to the grooves.

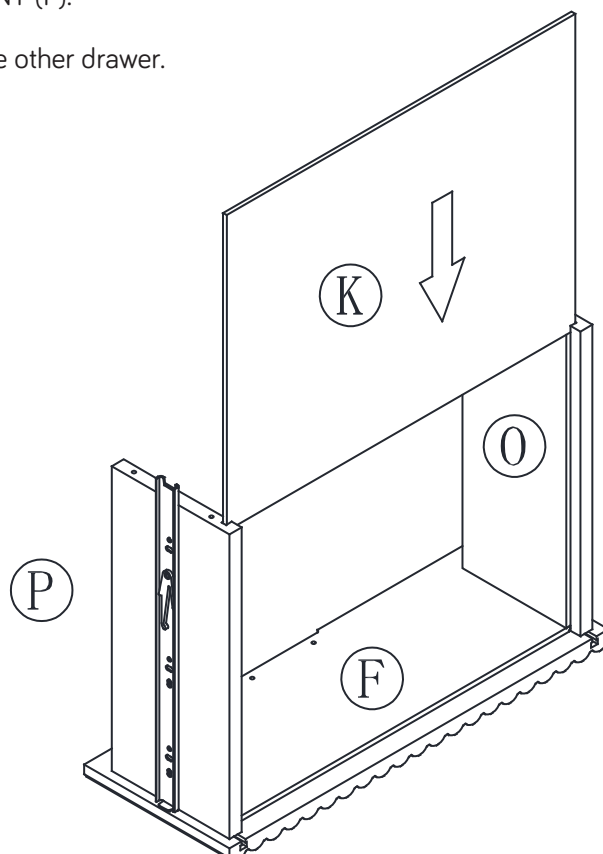
Repeat the same on the other drawer.



X 2

- ◆ Slide the DRAWER BOTTOM (K) into the grooves, in the DRAWER SIDES (P and O), and the DRAWER FRONT (F).

Repeat the same on the other drawer.

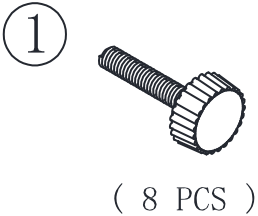
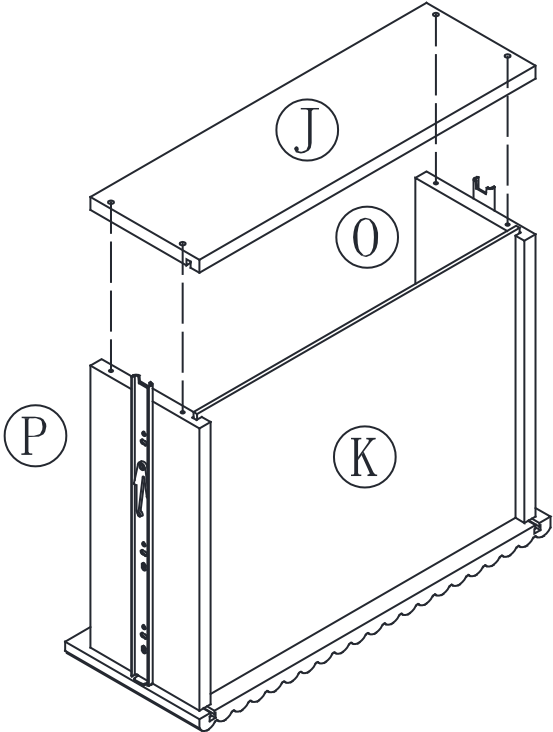


X 2

# Step 6

◆ Fasten the DRAWER BACK (J) to the DRAWER SIDES ( P and O ) by using four BOLTS (1).

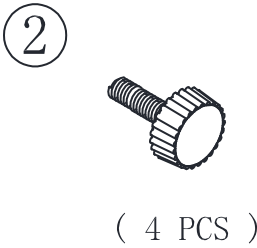
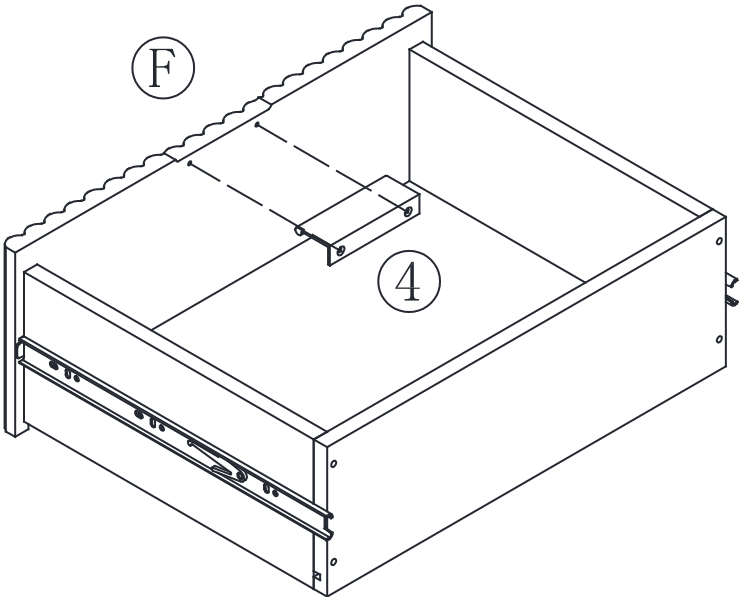
Repeat the same on the other drawer.



X 2

◆ Use two BOLTS (2) to fasten the PULL (4) to DRAWER FRONT (F).

Repeat the same on the other drawer.

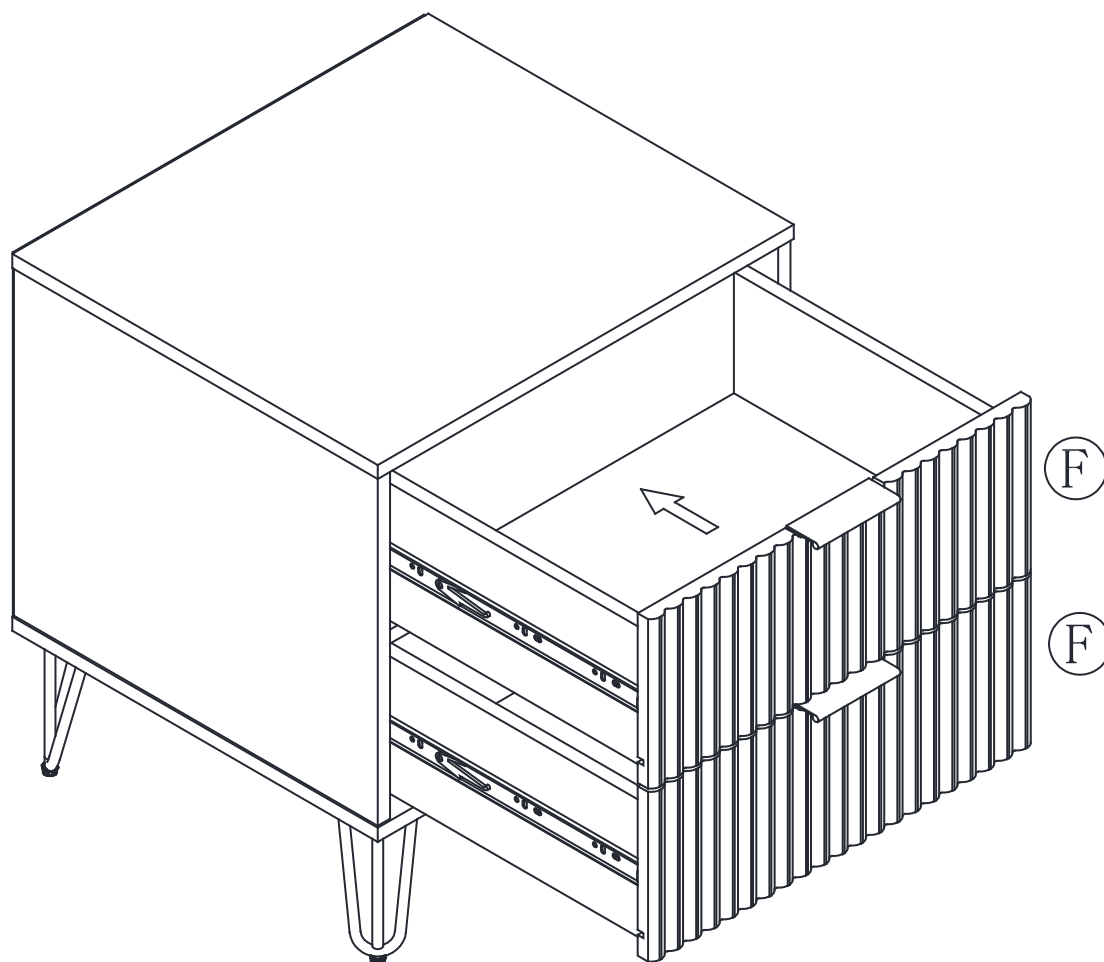
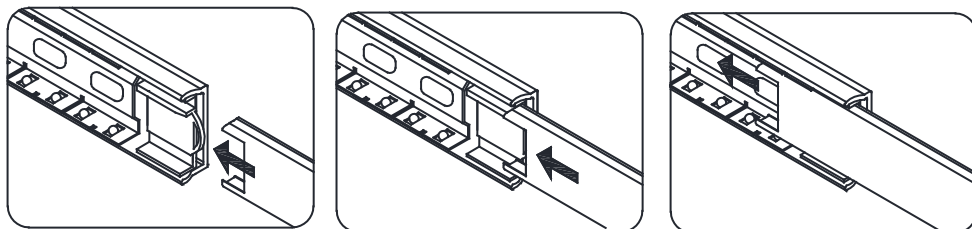


X 2



# Step 7

- To insert the DRAWER into your unit, line up the EXTENSION SLIDES on the drawer with the EXTENSION RAILS on the unit and push the drawer into the unit until the drawer is fully inserted. The drawer should push in hard until it is all the way in, then it will slide in and out easier.





MANHATTAN  
COMFORT

---

## **WARRANTY POLICY**

All Manhattan Comfort furniture products are warranted, to the original purchaser at the time of purchase and for a period of 30 days thereafter.

Our warranty is limited to new products purchased in factory sealed cartons. This warranty is valid in the United States of America and Canada.

In order to provide you with timely assistance, please thoroughly inspect your furniture for missing or defective parts immediately after opening the carton.

Manhattan Comfort offers a 30-day parts replacement warranty on all items.

Our furniture products are not intended for outdoor use.

### THE WARRANTY DOES NOT COVER:

- Defects/damages by improper assembly or disassembly.
- Defects/damages caused by shipping. Claims for damage during transit should be placed immediately to the transportation company.
- Defects/damages caused by inappropriate use of the furniture.



319 Ridge Rd. Dayton, NJ 08810

908-888-0818