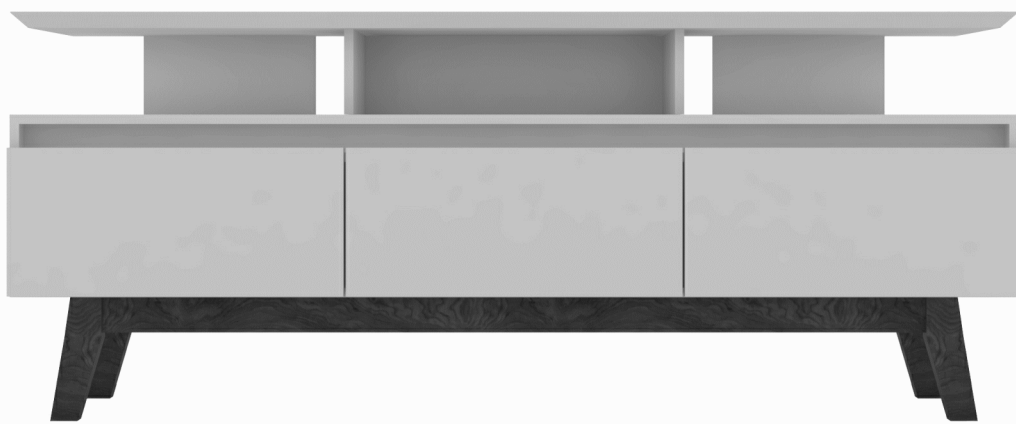




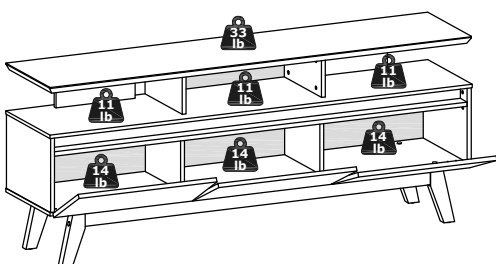
MANHATTAN
COMFORT

888-230-2225
help@manhattancomfort.com



Yonkers 62.99 TV Stand

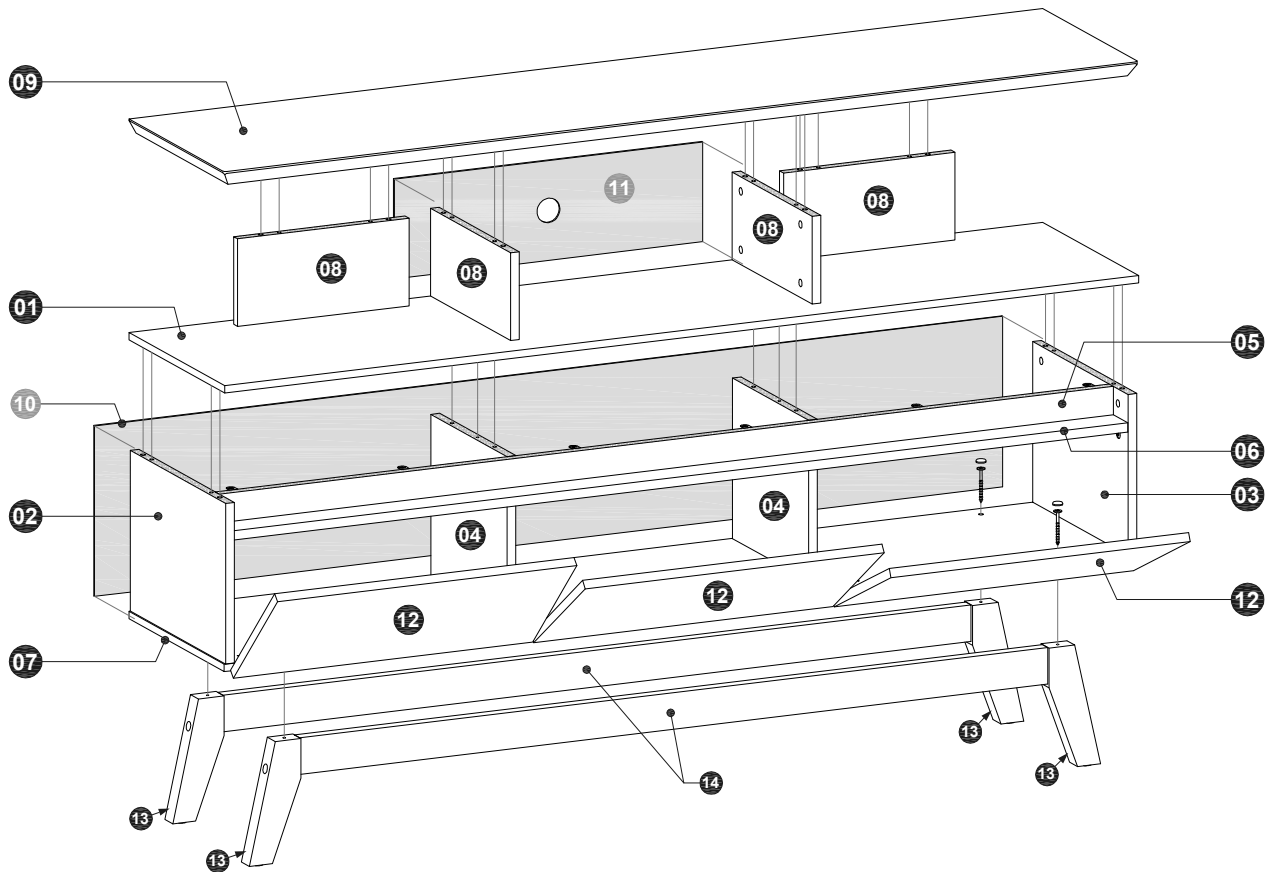
Model # 233BMC12, 233BMC6, 233BMC82, 233BMC9



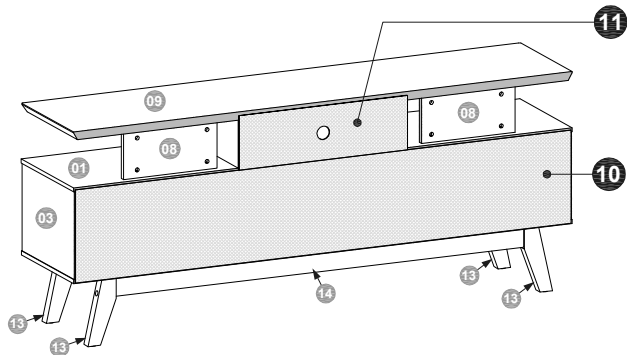
The indicated values consider static weights and evenly distributed over the parts.



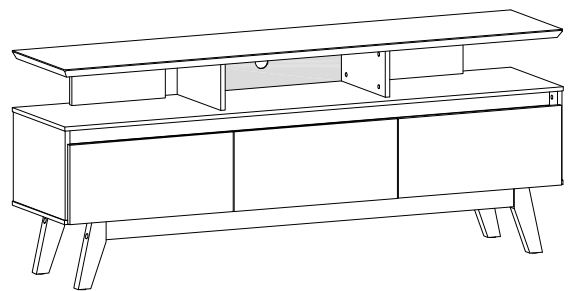
INCLUDED IN THE PACKAGE



REAR VIEW

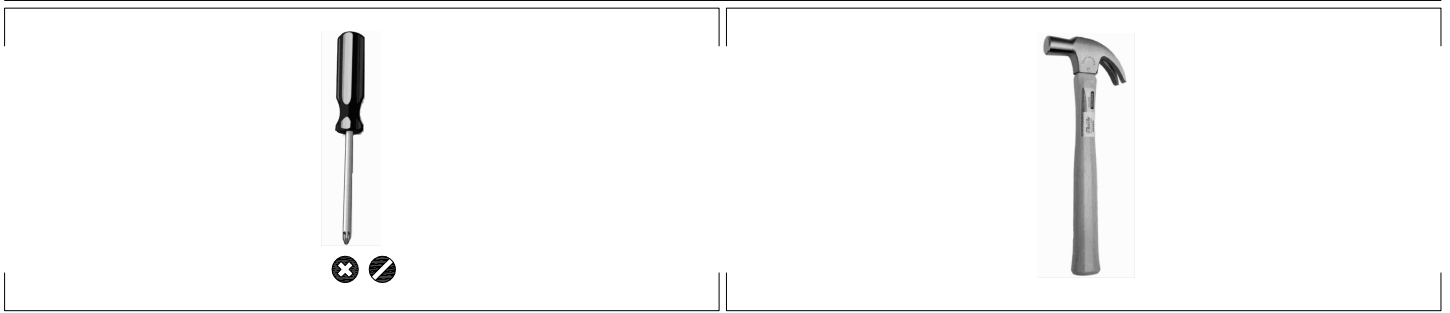


FINAL APPEARANCE - FRONT VIEW

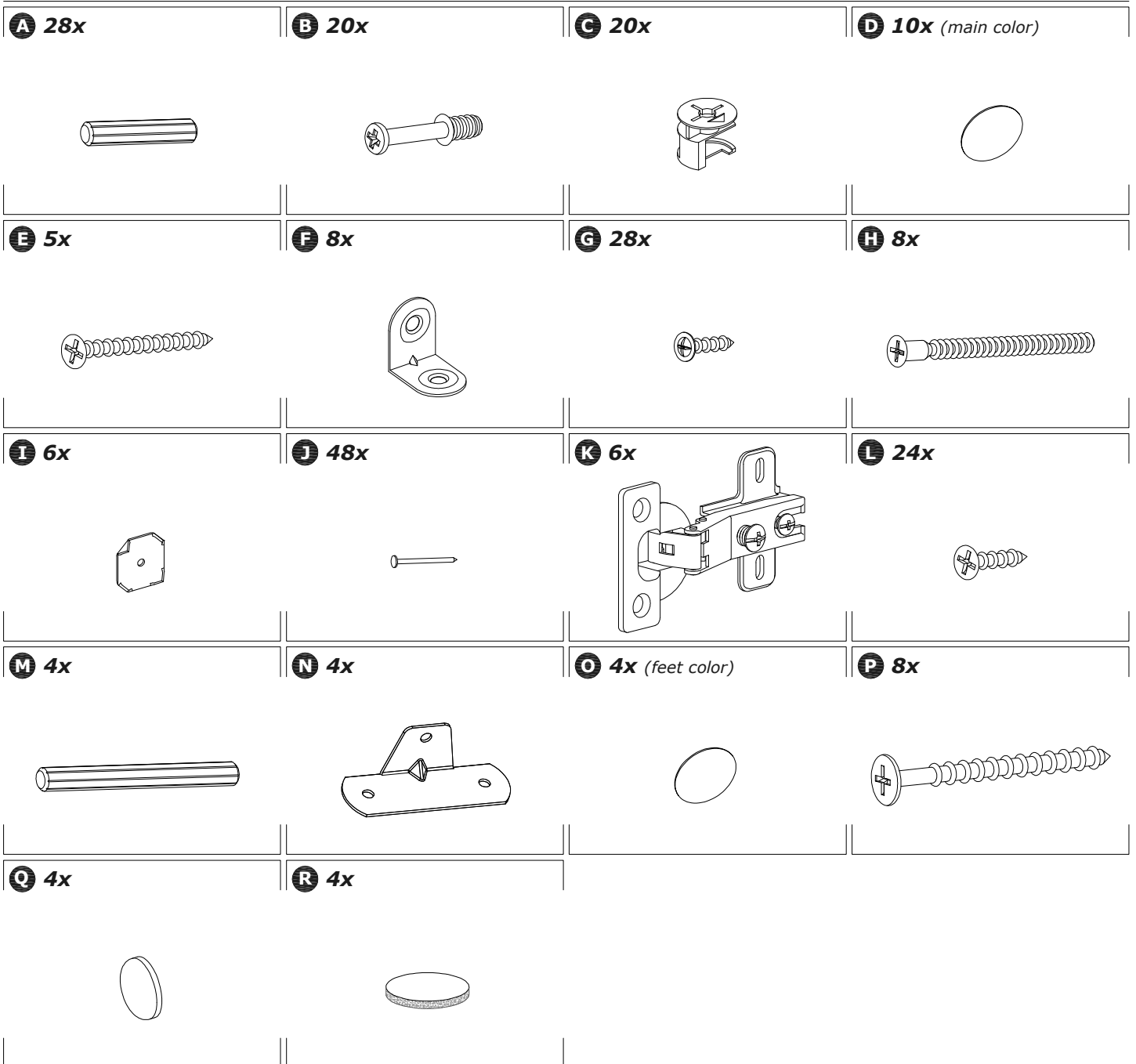


n.° ID	Parts Identification (Description)	Quantity
01	Middle Shelf	1
02	Left Side Panel	1
03	Right Side Panel	1
04	Partition	2
05	Front Frame	1
06	Front Bar	1
07	Base	1
08	Upper Support	4
09	Top Panel	1
10	Lower Back Panel	1
11	Upper Back Panel	1
12	Tilting Door	3
13	Wooden Feet	4
14	Structural Bar for feet	2

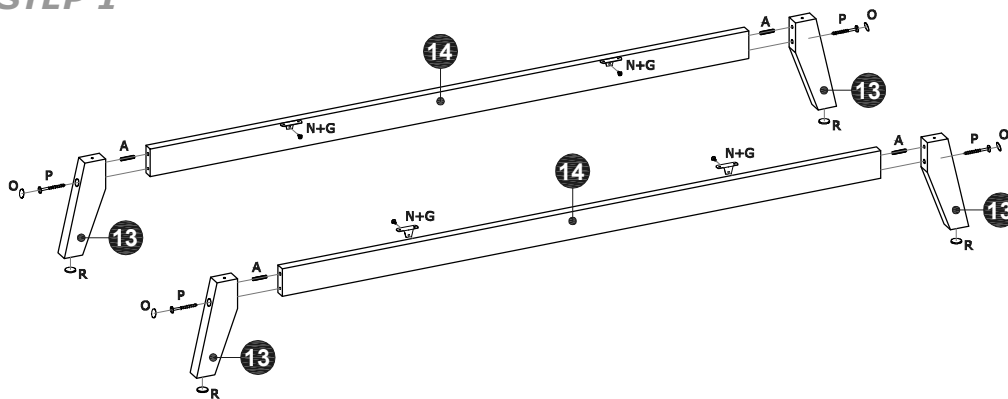
TOOLS NEEDED



INCLUDED IN THE HARDWARE



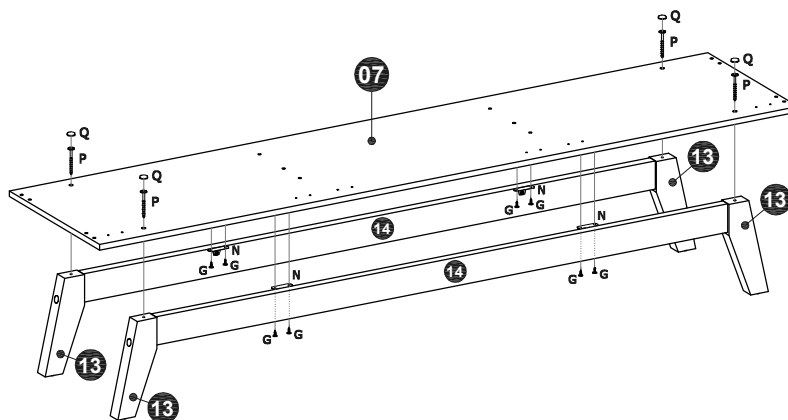
STEP 1



Preparing the Feet (13) with the Structural Bars (14):

- Fix the Feet (13) in the Structural Bars (14) with dowels (A) and bolts 5.5 x 55mm (P).
- Fix the brackets (N) with bolts (G) in the Structural Bars (14), as shown in the drawing.
- Apply the covers (O) and the protective felts (R) in the Feet (13).

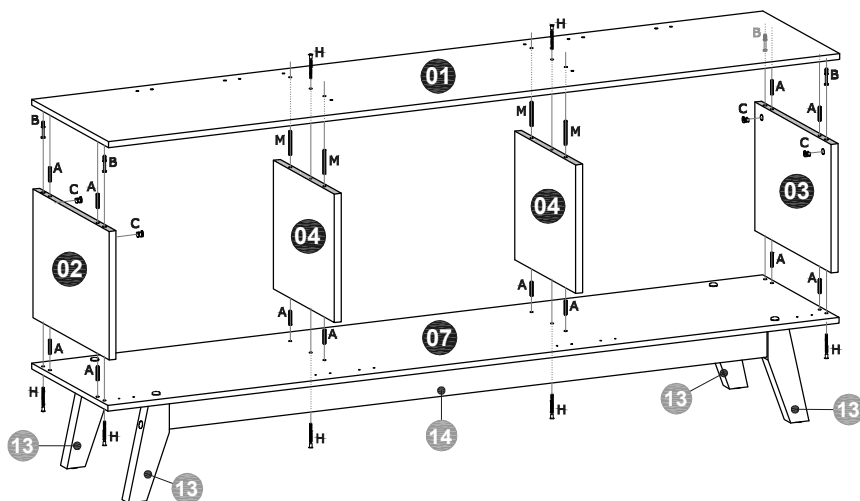
STEP 2



Fixing the Base (07) on Feet (13) and on the Structural Bars (14):

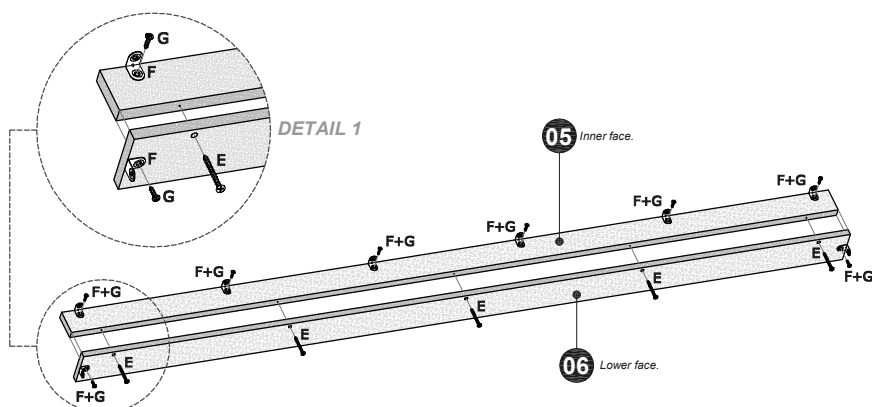
- Fix the Base (07) on the Feet (13) with bolts 5.5 x 55mm (P), as shown in the drawing.
- Apply the plastic cover (Q) on the bolts (P).
- Fix the Structural Bars (14) in the Base (07) applying bolts (G) in the metal brackets (N).

STEP 3



- Connect the Left Side Panel (02) and the Right Side Panel (03) under the Middle Shelf (01) with dowels $\varnothing 6 \times 30\text{mm}$ (A) and cam lock hardware (B + C).
- Connect the Partitions (04) under the Middle Shelf (01) with dowels $\varnothing 6 \times 50\text{mm}$ (M) and bolts (H).
- Connect the Base (07) under the Left Side Panel (02), the Right Side Panel (03) and the Partitions (04) with dowels $\varnothing 6 \times 30\text{mm}$ (A) and bolts 5.0 x 50mm (H).

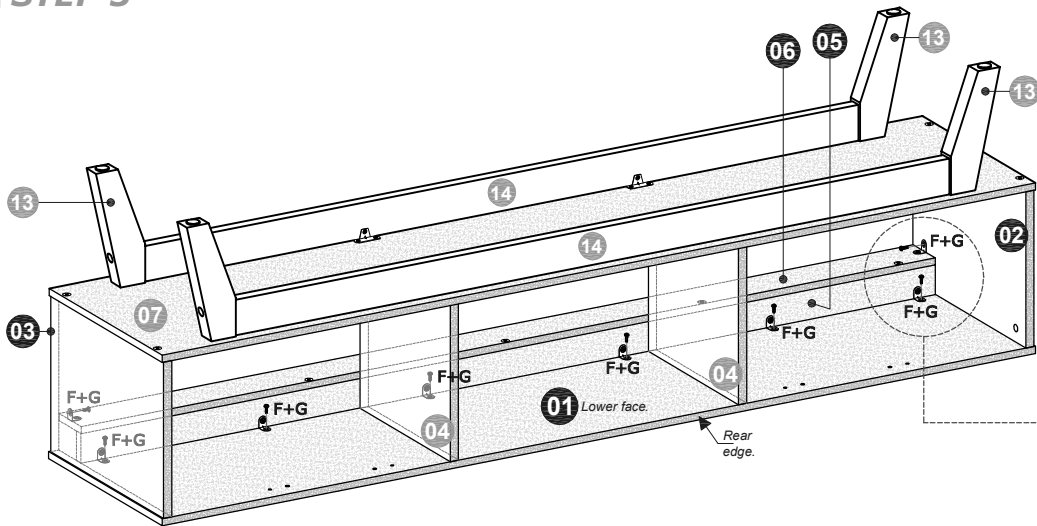
STEP 4



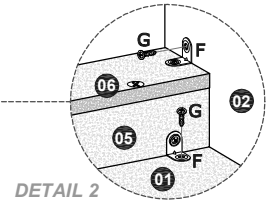
Preparing the Front Frame (05) with the Front Bar (06):

- Fix the Front Frame (05) on the Front Bar (06), positioning them according to the drawing and applying the bolts 3.5 x 35mm (E).
- Fix the six metal angle brackets (F) with bolts (G) on the inner face and near the top edge of the Front Frame (05), as shown in the drawing.
- Fix the metal angle brackets (F) with bolts (G) on the lower face and near the ends of the Front Bar (06), as shown in the drawing.

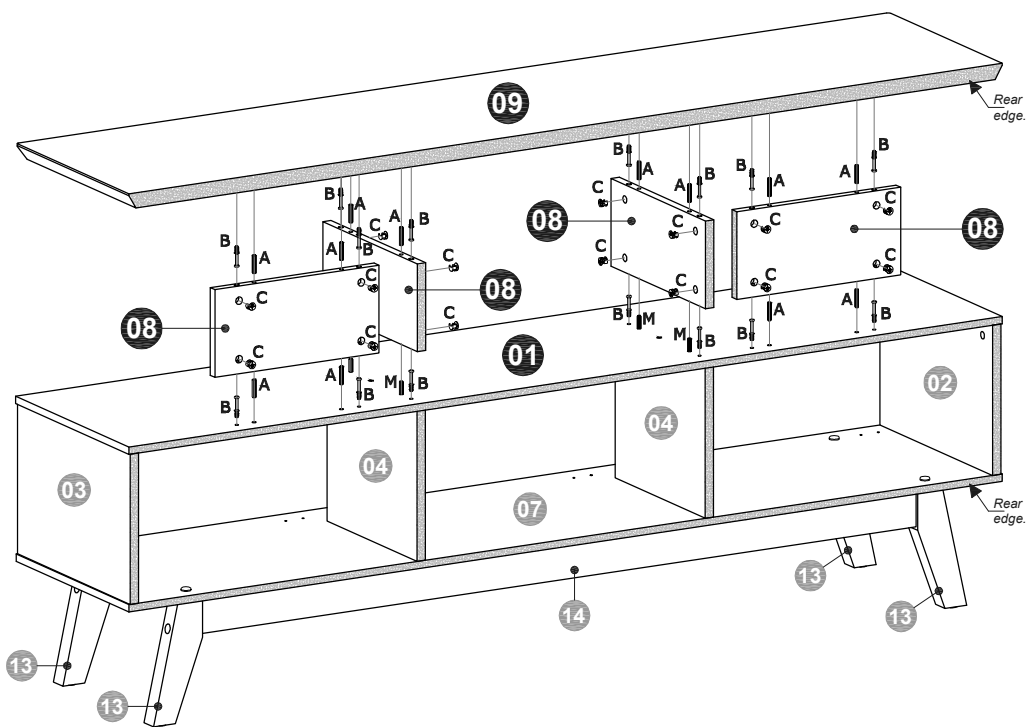
STEP 5



- Fix the Front Frame (05) under the Middle Shelf (01) with the metal angle brackets (F) and bolts (G).
- Fix the ends of the Front Bar (06) in the Side Panels (02) and (03) with the metal angle brackets (F) and bolts (G).

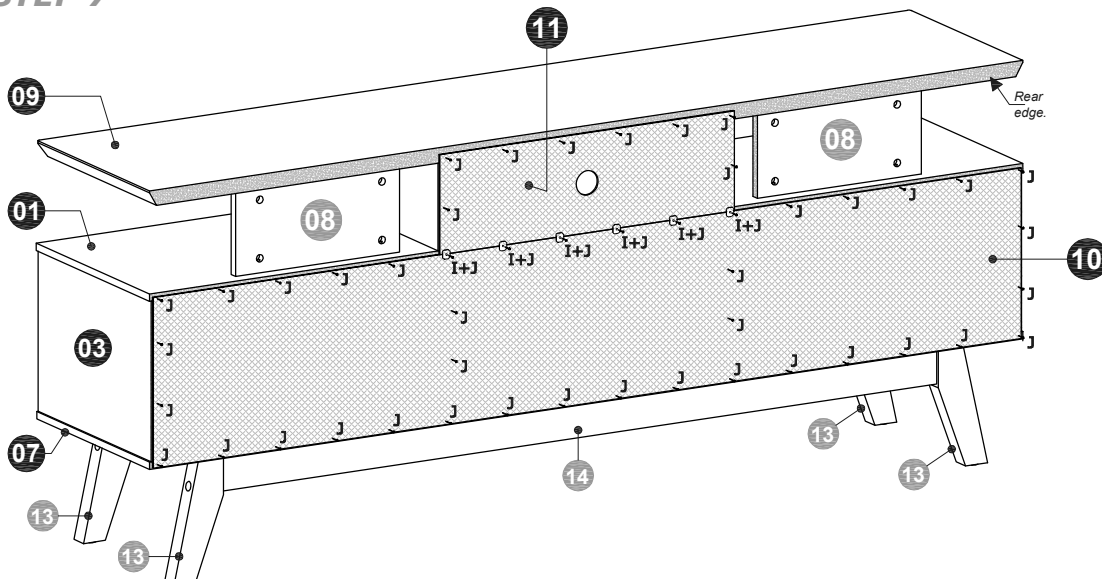


STEP 6



- Fix the Upper Supports (08) on the Middle Shelf (01) with dowels (A) and (M), as indicated in the drawing, and with cam lock hardware (B+C).
- Fix the Top Panel (09) on the Upper Supports (08) with dowels (A) and cam lock hardware (B+C).

STEP 7



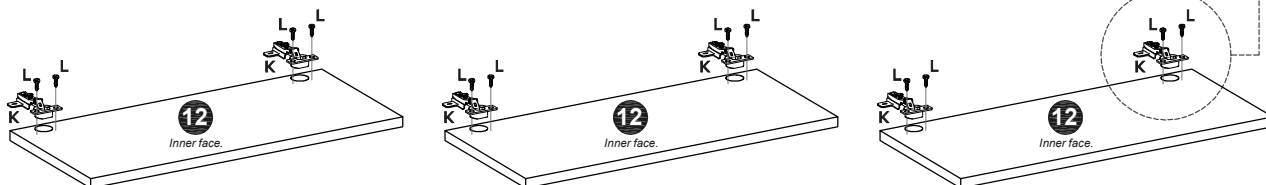
- Fix the Back Panels (10) and (11) with nails (J). At the junction between the two back panels, use also metallic plates (I).

STEP 8

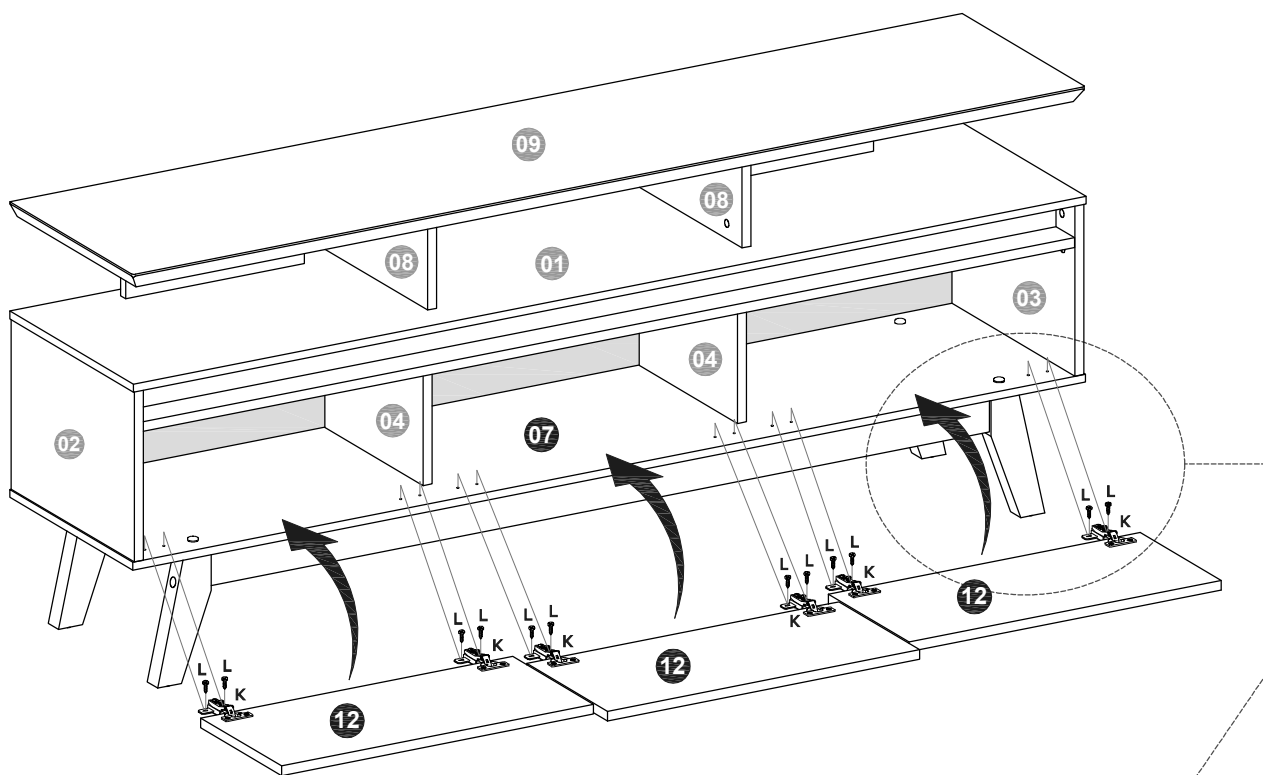
Preparing the Doors (12):

- Fix the hinges (K) on the three Doors (12) with bolts 4.0 x 14mm (L), as shown in DETAIL 3.

DETAIL 3

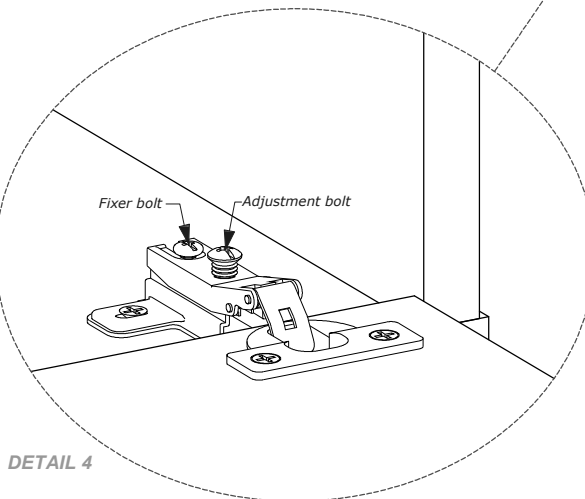


STEP 9



Installing the Doors (12):

- Fix the hinge connectors (K) of the Doors (12) on the Base (07) with bolts 4.0 x 14mm (L), taking the markings on the Base (07) as a reference for correct positioning. The hinge connector includes two bolts, shown in DETAIL 4. Use the fixer and adjustment bolts to tighten, adjust and align the doors.



DETAIL 4