



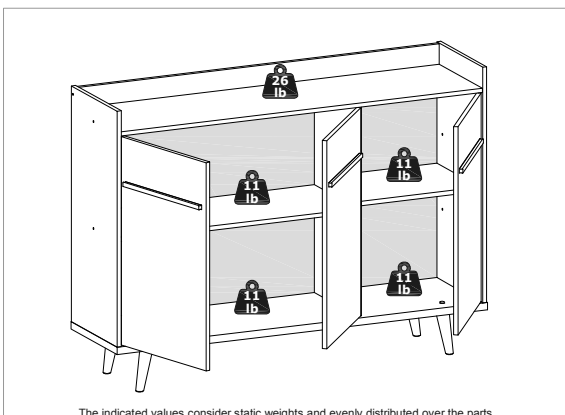
MANHATTAN
COMFORT

888-230-2225
help@manhattancomfort.com

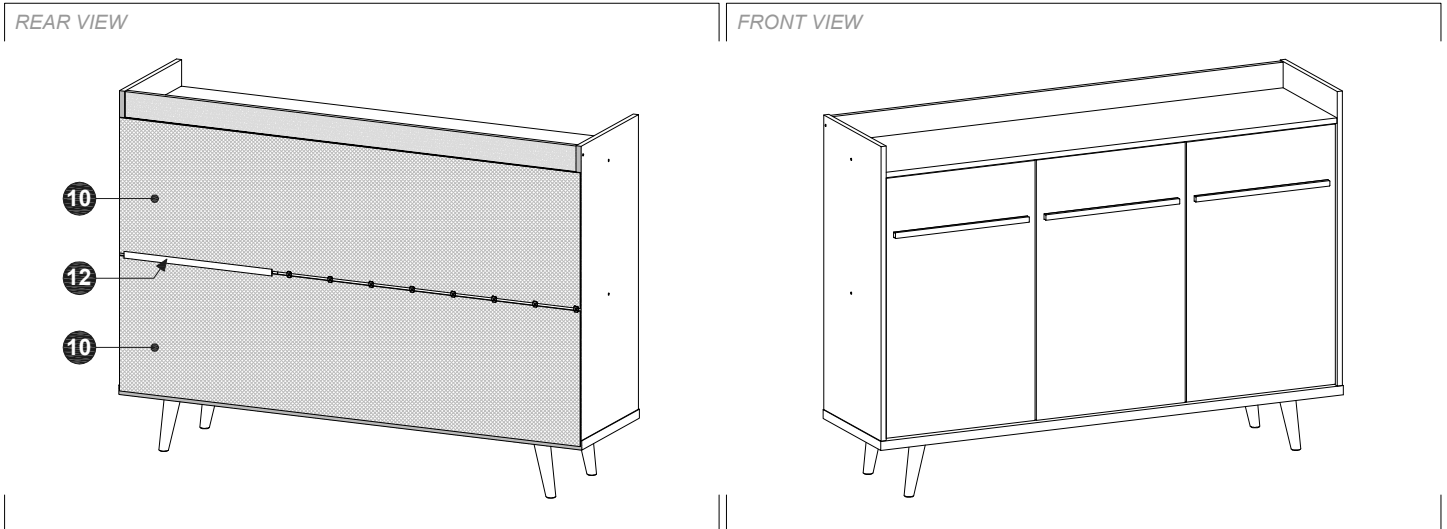
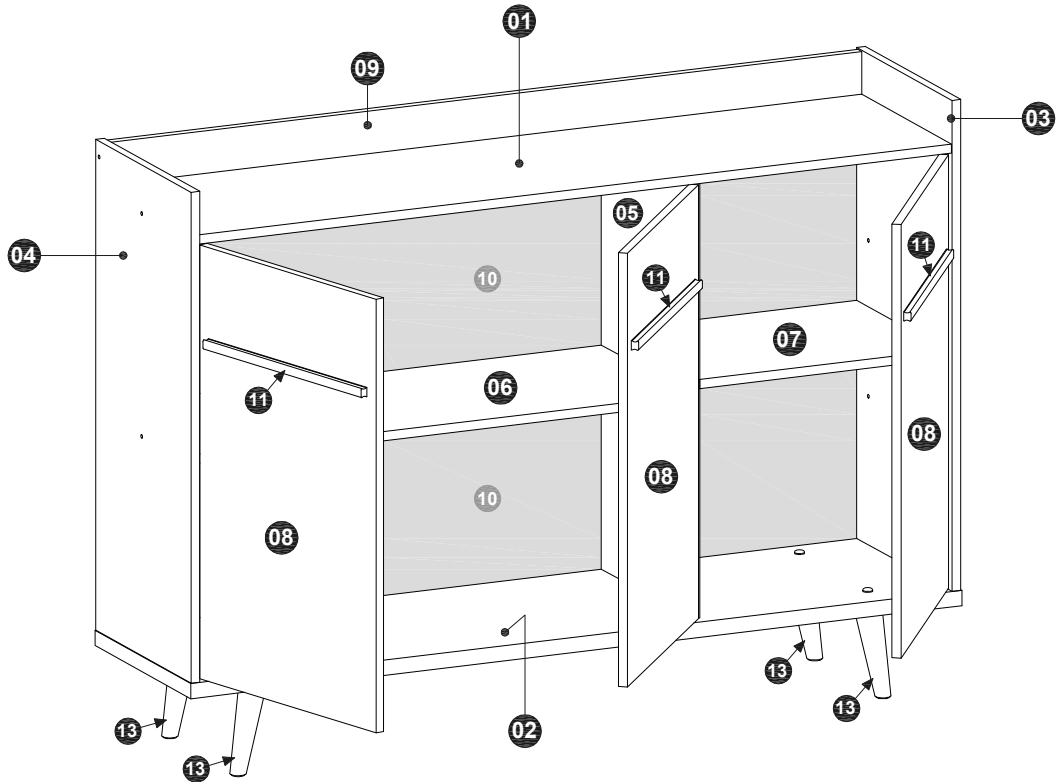


Bradley Buffet Stand 53.14

Model # 230BMC1, 230BMC6, 230BMC8, 230BMC9

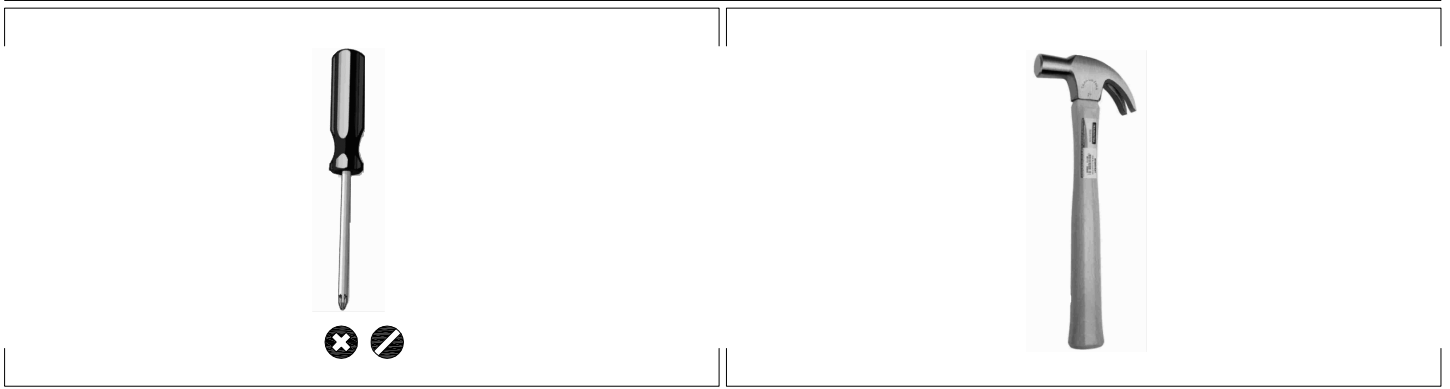


INCLUDED IN THE PACKAGE

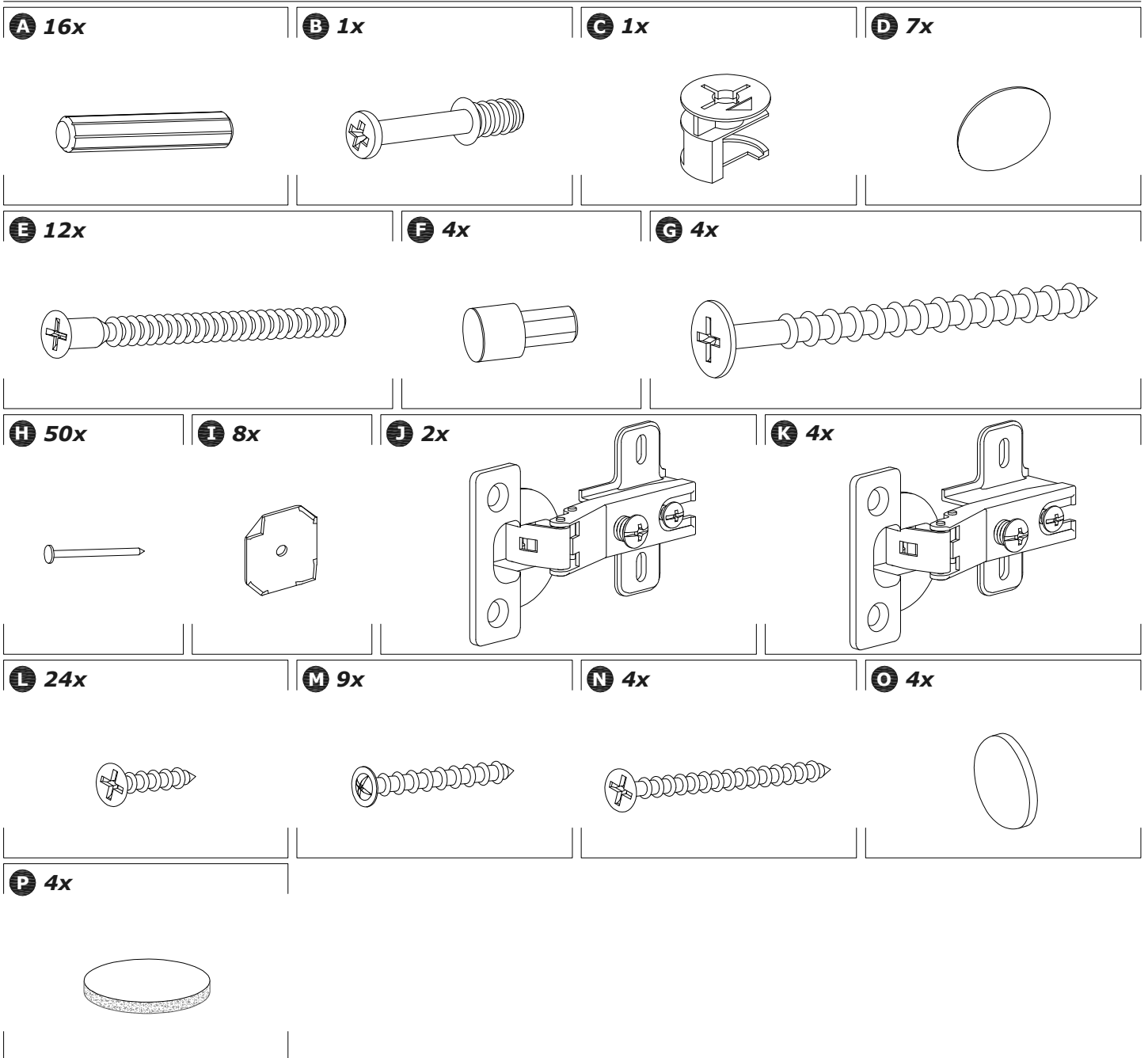


| n.° ID | Parts Identification (Description) | Quantity |
|--------|------------------------------------|----------|
| 01 | Top Panel | 1 |
| 02 | Base | 1 |
| 03 | Right Side Panel | 1 |
| 04 | Left Side Panel | 1 |
| 05 | Partition | 1 |
| 06 | Fixed Shelf | 1 |
| 07 | Removable Shelf | 1 |
| 08 | Door | 3 |
| 09 | Crossbar | 1 |
| 10 | Back Panel | 2 |
| 11 | Wood Handle | 3 |
| 12 | Plastic Profile "H" 431mm | 1 |
| 13 | Wood Feet H150mm | 4 |

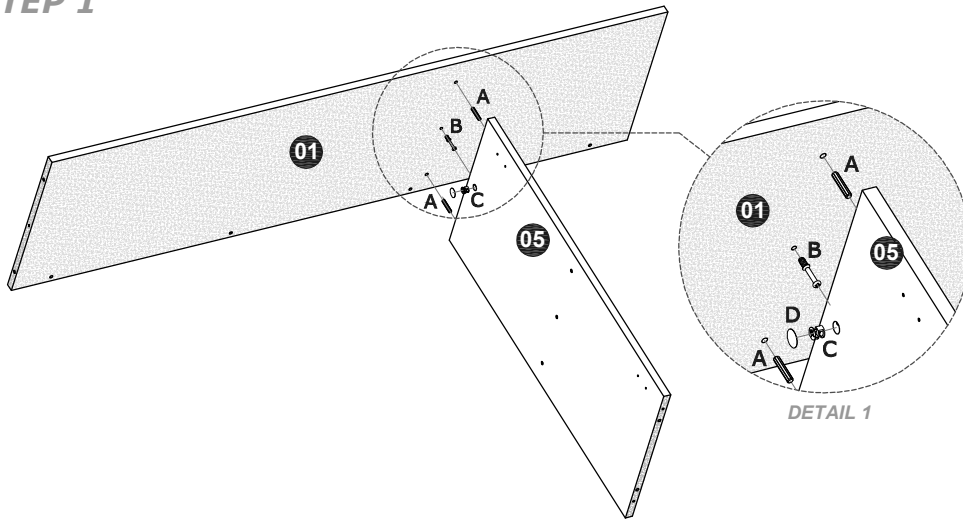
TOOLS NEEDED



INCLUDED IN THE HARDWARE



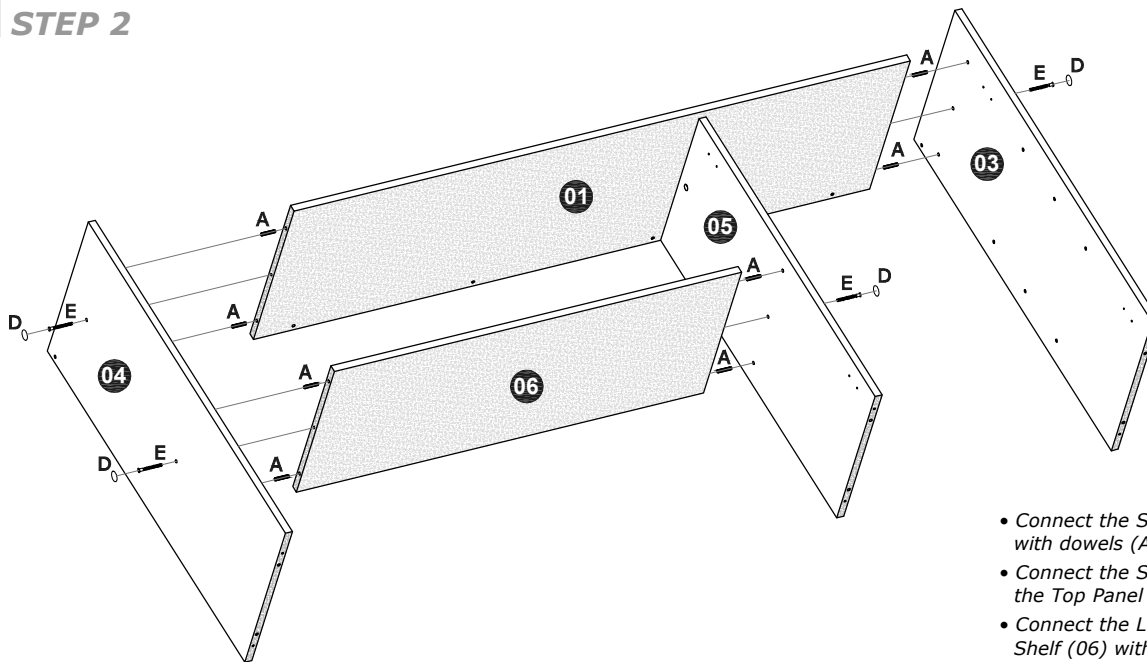
STEP 1



- Connect the Partition (05) under the Top Panel (01) with dowels (A) and cam lock hardware (B + C).
- After the fixing, apply the adhesive cover (D).

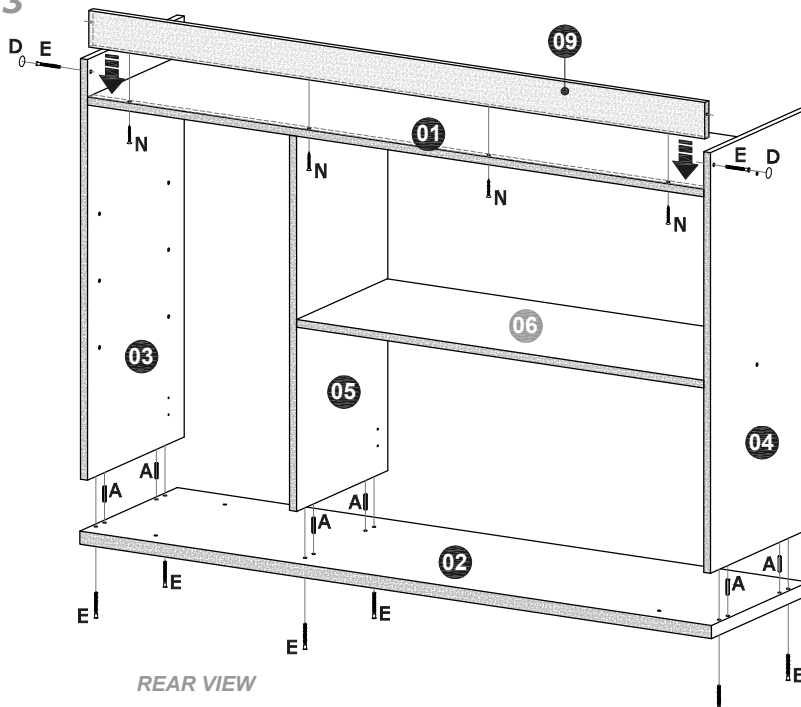
DETAIL 1

STEP 2



- Connect the Shelf (06) in the Partition (05) with dowels (A) and bolt (E).
- Connect the Side Panels (03) and (04) in the Top Panel with dowels (A) and bolts (E).
- Connect the Left Side Panel (04) in the Shelf (06) with dowels (A) and bolt (E).
- After the fixing, apply adhesive covers (D).

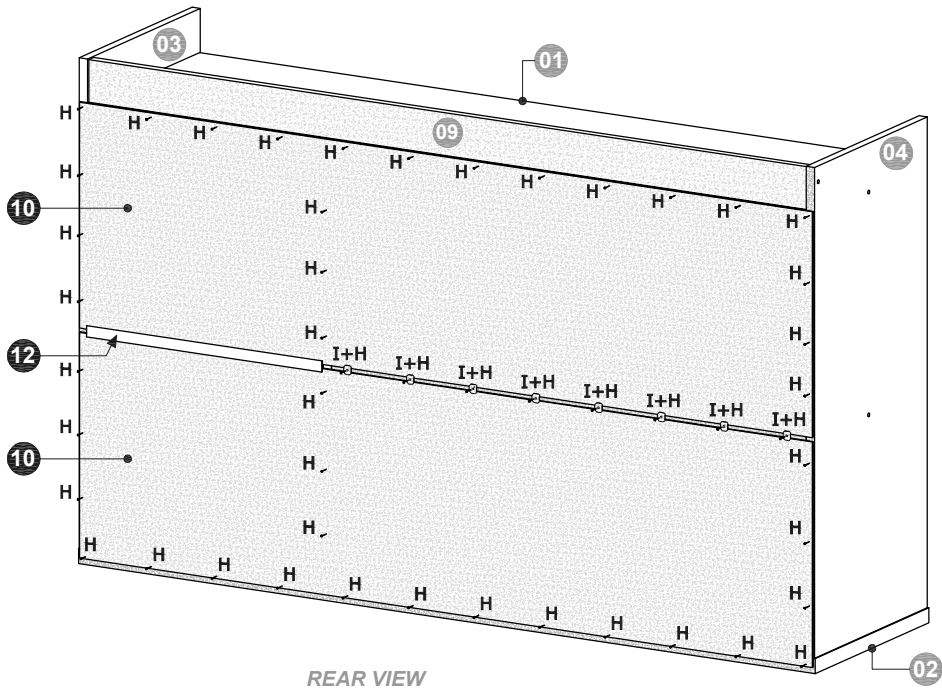
STEP 3



REAR VIEW

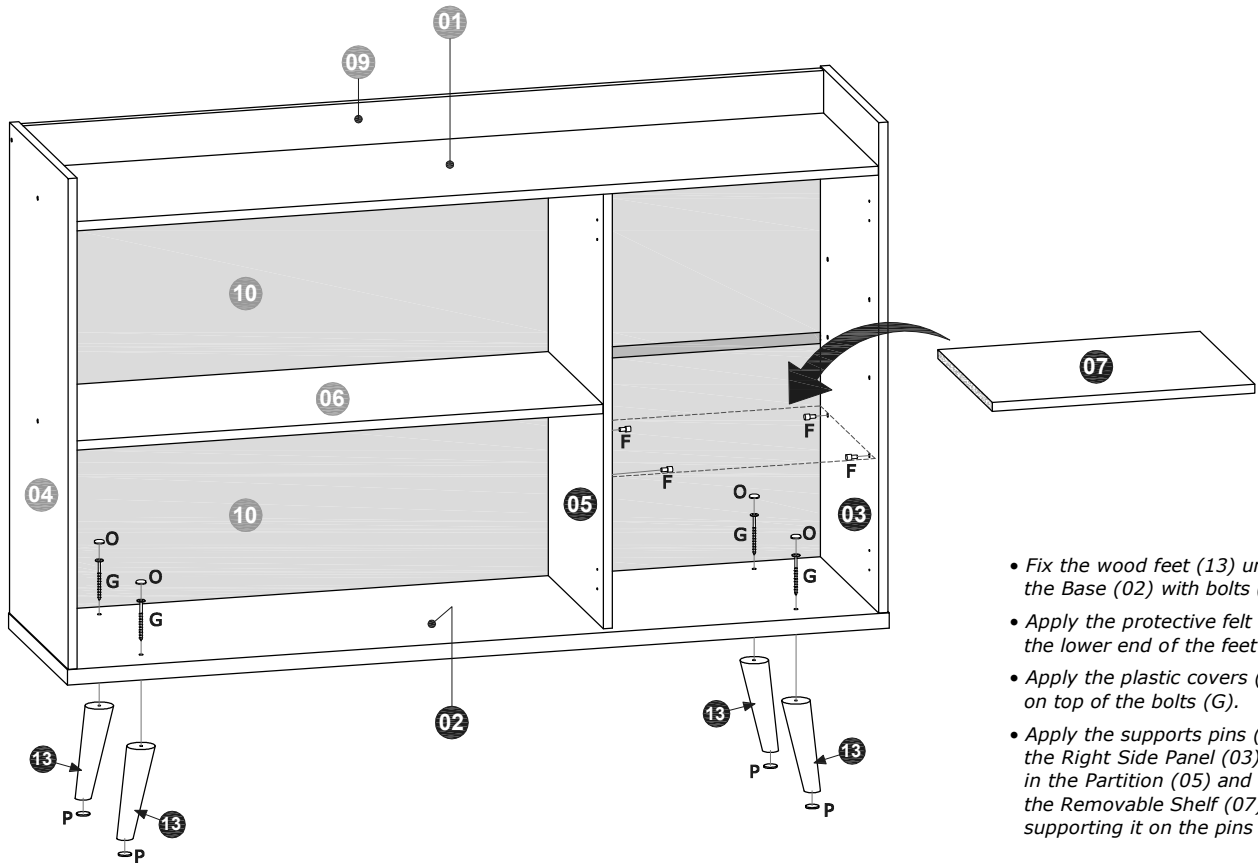
- Connect the Base (02) under the Right Side Panel (03), the Left Side Panel (04) and the Partition (05) with dowels (A) and bolts (E).
- Fit the Crossbar (09) between the Side Panels (03) and (04) and over the Top Panel (01), as shown in the drawing, and fix the ends the Crossbar (09) in the Side Panels (03) and (04) with the bolts (E). Then fix the Top Panel (01) to the Crossbar by applying the indicated four bolts (N).
- After the fixing, apply the adhesive covers (D) on the bolts (E).

STEP 4



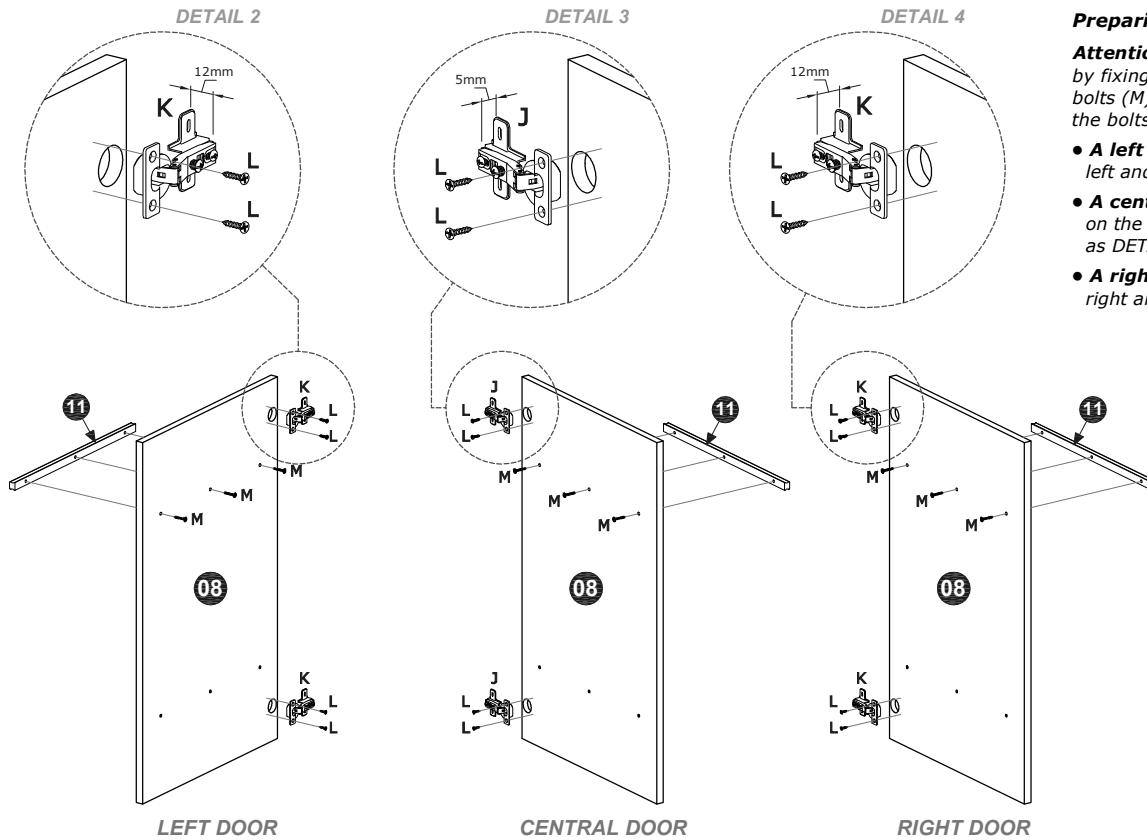
- Connect Back Panels (10) with nails (H), metallic plates (I) and plastic profile (12).

STEP 5



- Fix the wood feet (13) under the Base (02) with bolts (G).
- Apply the protective felt (P) in the lower end of the feet (13).
- Apply the plastic covers (O) on top of the bolts (G).
- Apply the supports pins (F) in the Right Side Panel (03) and in the Partition (05) and install the Removable Shelf (07) by supporting it on the pins (F).

STEP 6

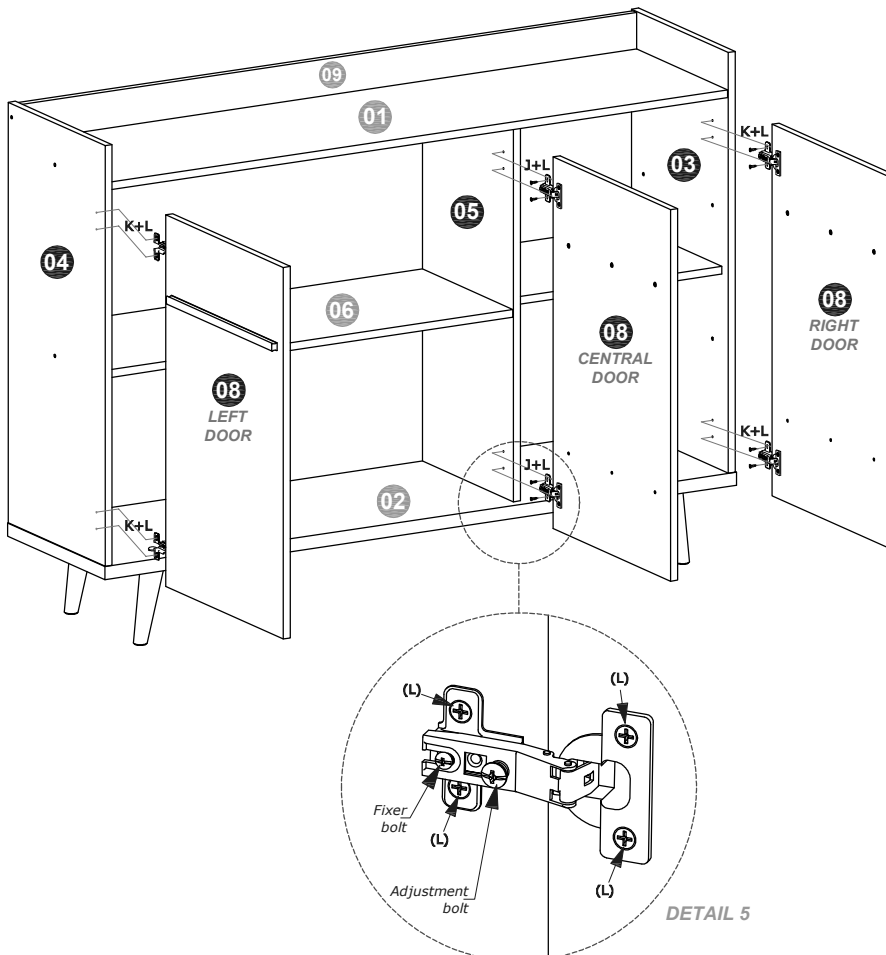


Preparing the Doors (08):

Attention! Prepare the doors (08) by fixing the handles (11) with the bolts (M) and the hinges with the bolts (L) so as to have:

- A left door, with opening on the left and hinges (K), as DETAIL 2;
- A central door, with opening on the right and hinges (J), as DETAIL 3; and
- A right door, with opening on the right and hinges (K), as DETAIL 4.

STEP 7



Installing the Doors (08): Attention to the position of each of the doors (left, central and right).

- Fix the hinge connectors of the Doors (08) on the Side Panels (03) and (04) and on the Partition (05) with bolts 3.5 x 14mm (L), taking the markings on the parts (03), (04) and (05) as reference for the correct positioning. The hinge connector includes more two bolts (fixer and adjustment bolts), as shown in the DETAIL 5. Use these bolts to tighten, adjust and align the doors.