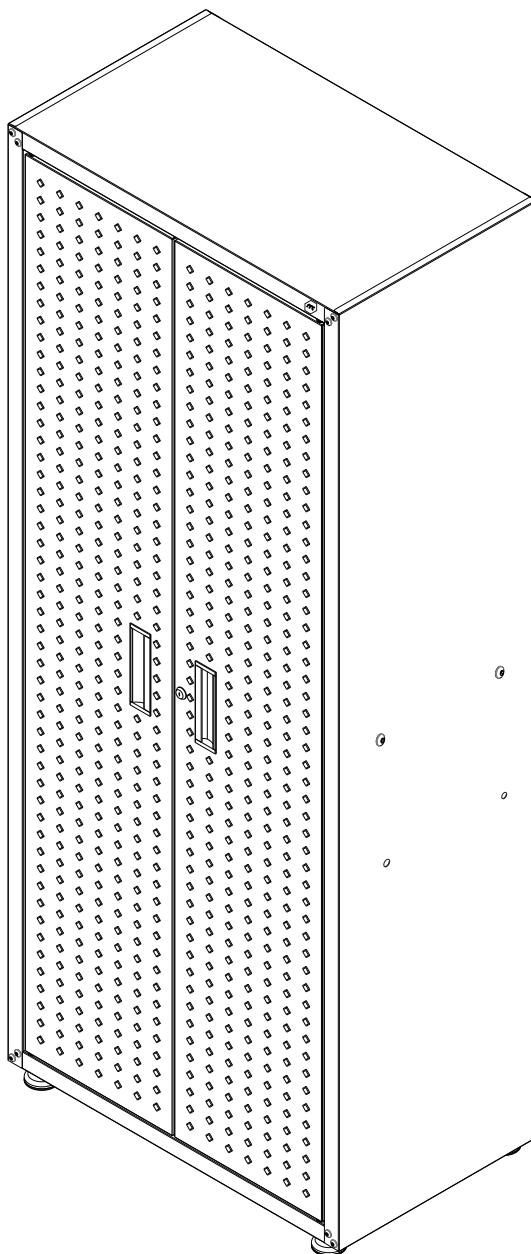




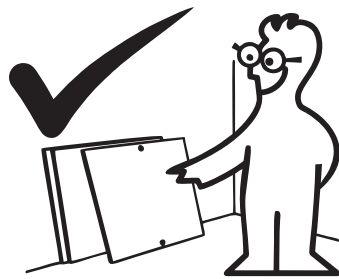
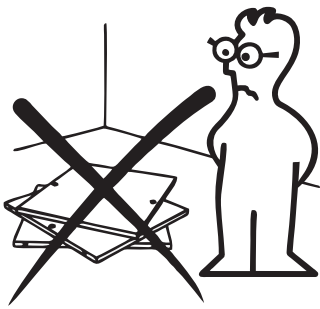
Assembly Guide

Model: 1GMCF

Fortress 74.8" Tall Garage Cabinet

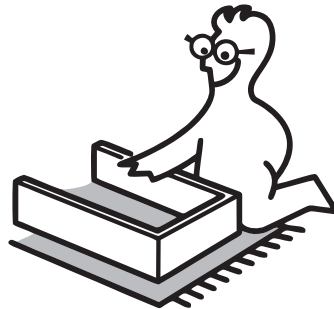
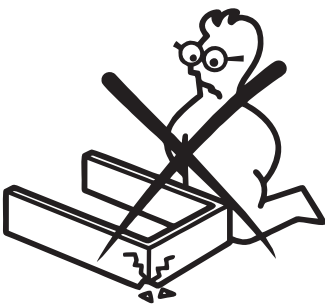
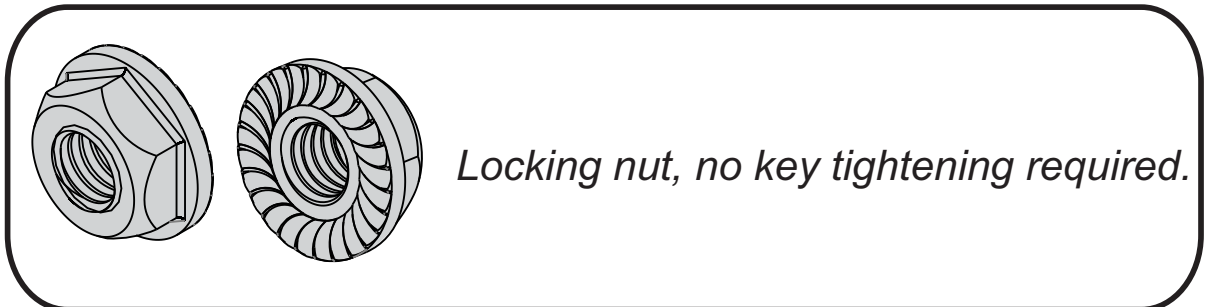
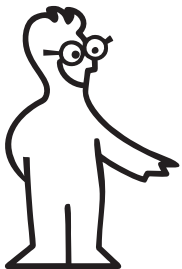
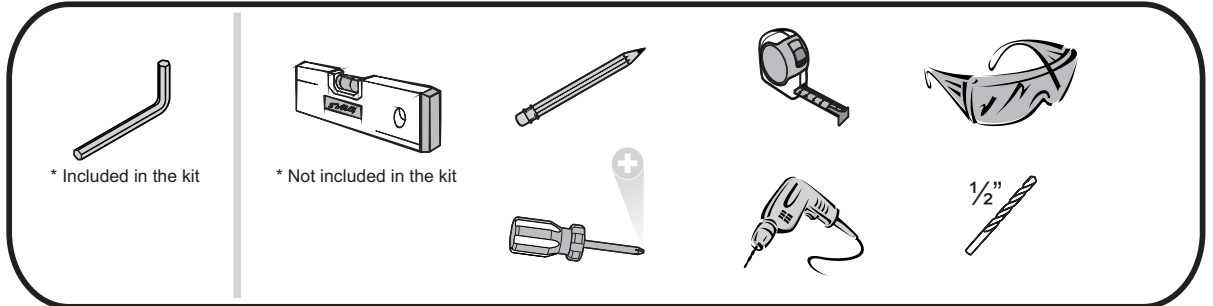
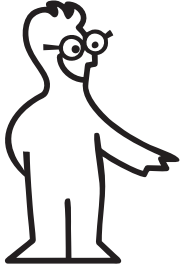


Stuck? Questions? We are here to help.
1-888-230-2225
help@manhattancomfort.com

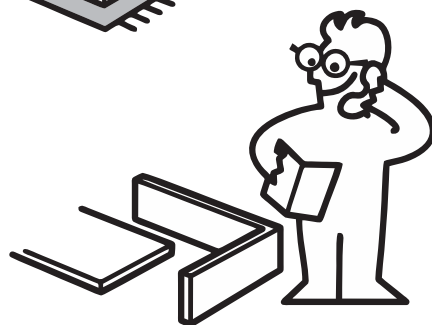


In order to ease the assembly, you should separate and identify the parts first

Necessary hardware for the assembly, leveling and safety



Do not place the parts directly onto the floor. Use a cardboard sheet or a mat to place the parts, during the separation and assembly.



Stuck? Questions? We are here to help.
1-888-230-2225
help@manhattancomfort.com

IMPORTANT

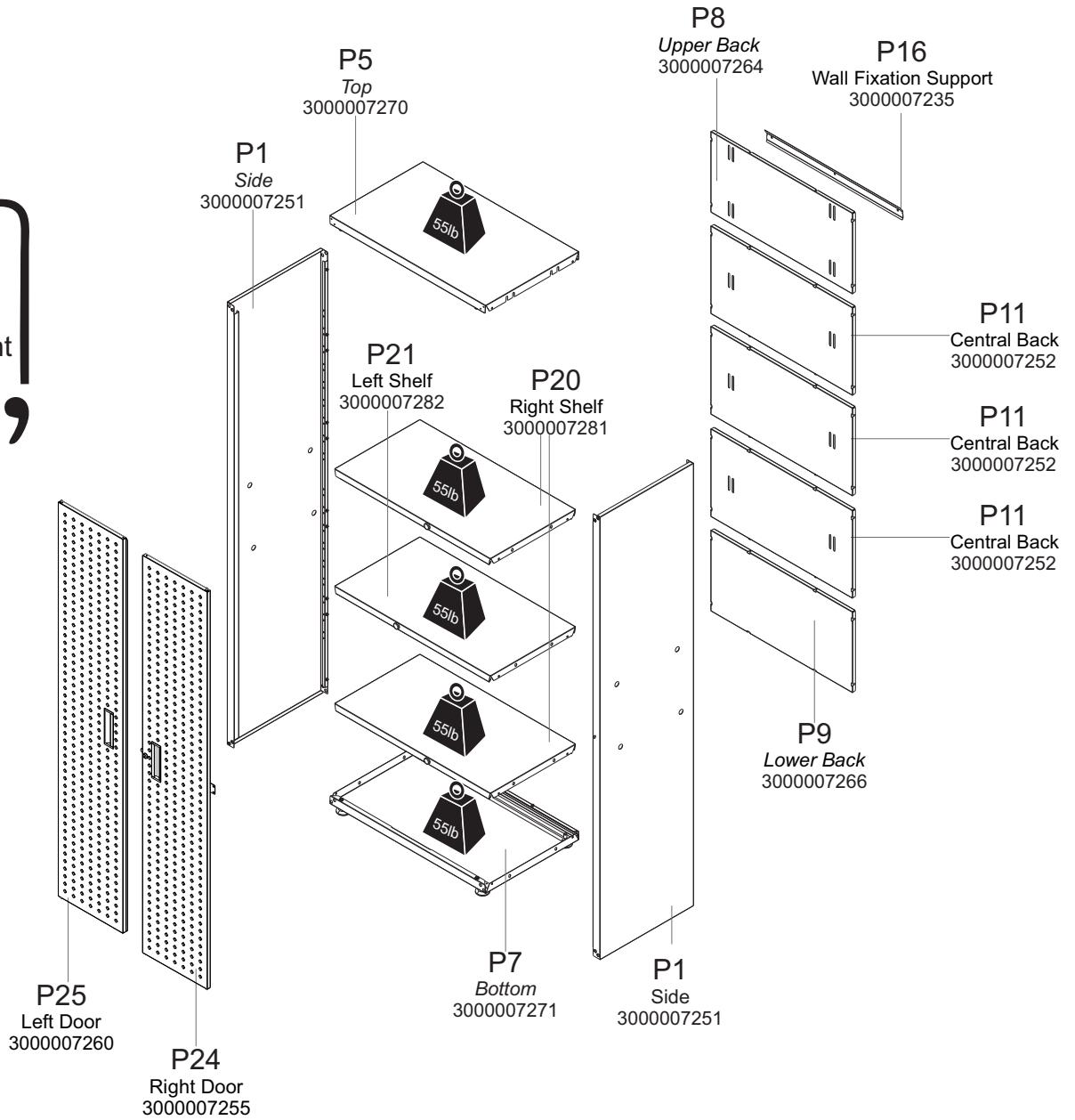
In order to avoid severe or even fatal injuries, follow the instructions carefully.

This furniture should be fixed onto the wall, so to avoid possible drops.
Different types of walls demand different types of hardware.
Hardware to fix the furniture to the drywall is included in the kit.
Should your wall be different, please, ask for advice at the hardware store.

Fortress 74.8" Tall Garage Cabinet



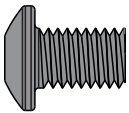
WARNING



Hardware list

F1

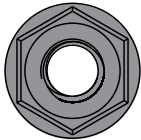
1000011853



20x

F2

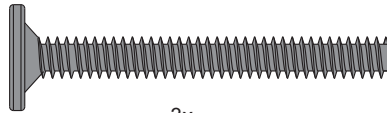
1000011851



20x

F5

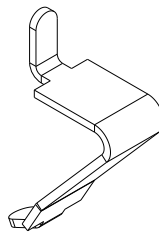
1000008778



3x

F7

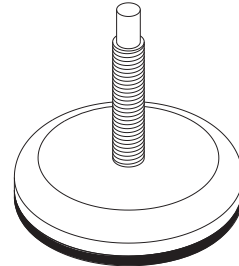
1000008301



8x

F9

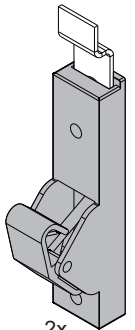
1000008368



4x

F12

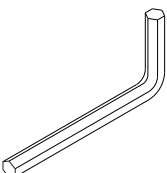
1000008373



2x

F13

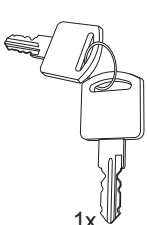
1000011850



1x

F15

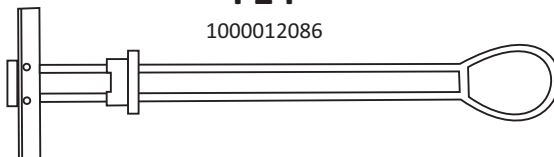
1000010159



1x

F14

1000012086



Qty. 3

F17

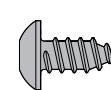
1000008285



Qty. 1

F18

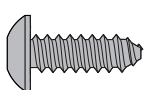
1000011849



4x

F19

1000011848

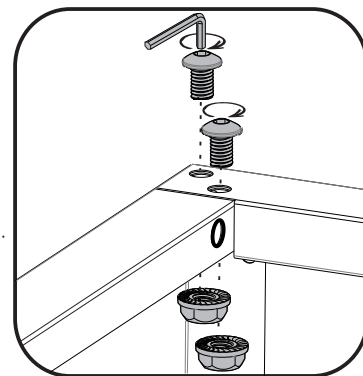
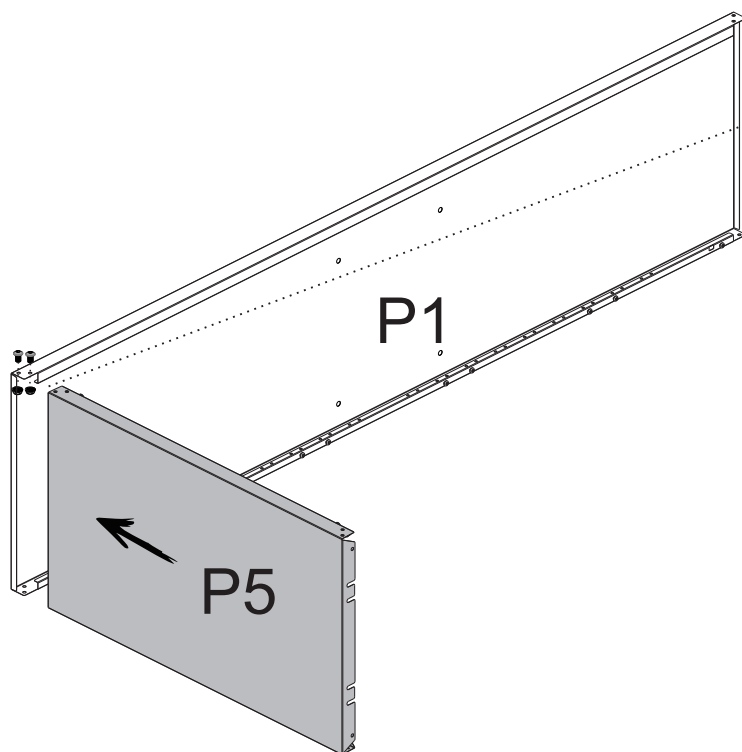
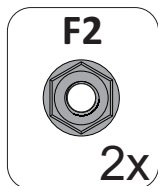
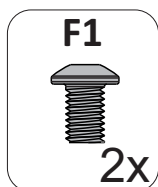


4x

STEP 1

1 - Fit part **P5** inside part **P1**

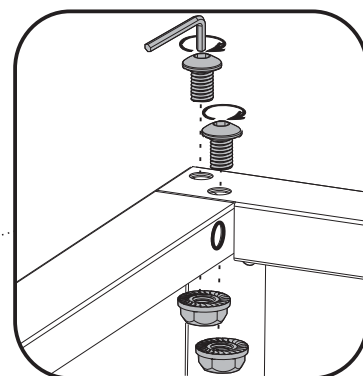
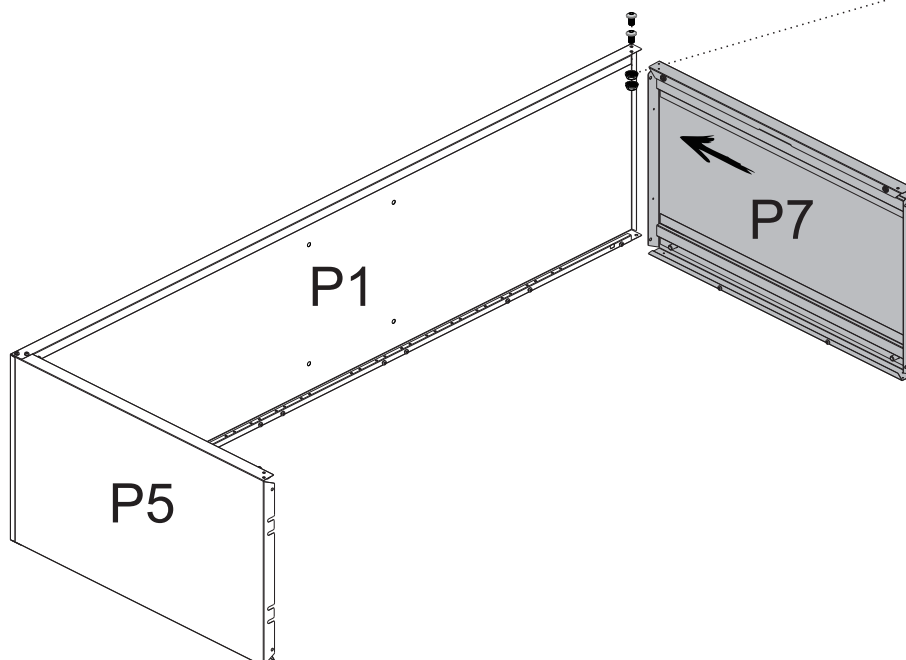
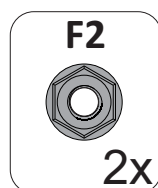
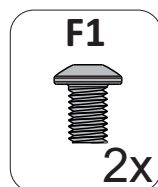
2 - Fit both parts in the frontal side, with **F1** and **F2**.



STEP 2

1 - Fit part **P7** inside part **P1**

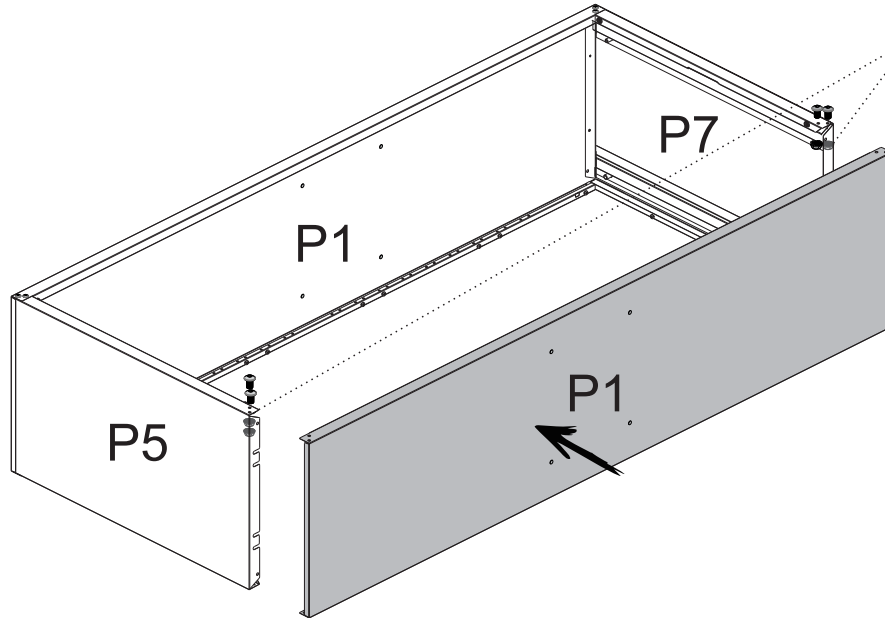
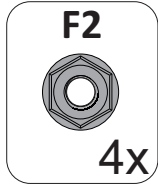
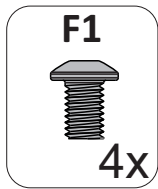
2 - Fit both parts in the frontal side, with part **F1** and **F2**.



STEP 3

1 - Fit part **P5** and **P7** inside part **P1**.

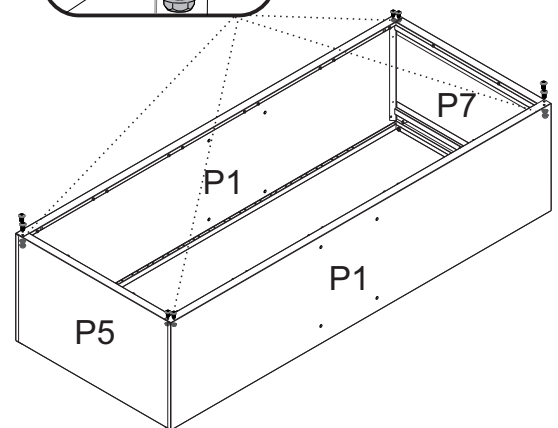
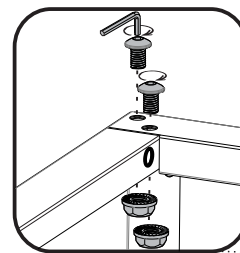
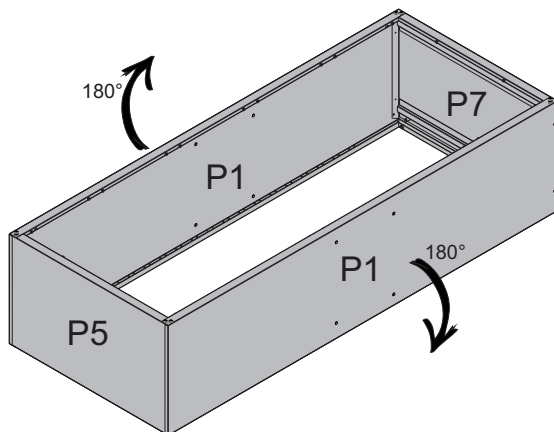
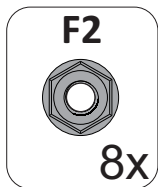
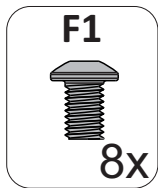
2 - Fit part **P1** to parts **P5** and **P7** at the frontal side, with **F1** and **F2**.



STEP 4

1 - Turn the cupboard with the back side upwards

2 - Fit parts **P1** to parts **P5** and **P7** with **F1** and **F2**.



“
To avoid possible falls,
this safety claw
should be fixed.
”

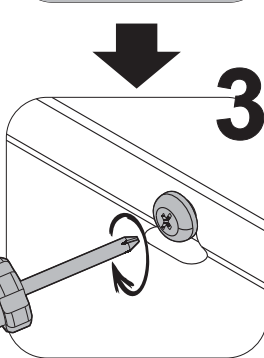
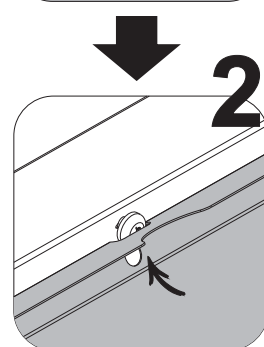
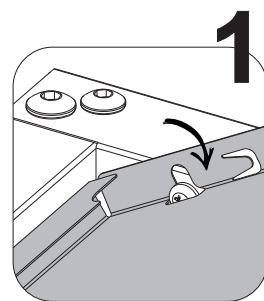
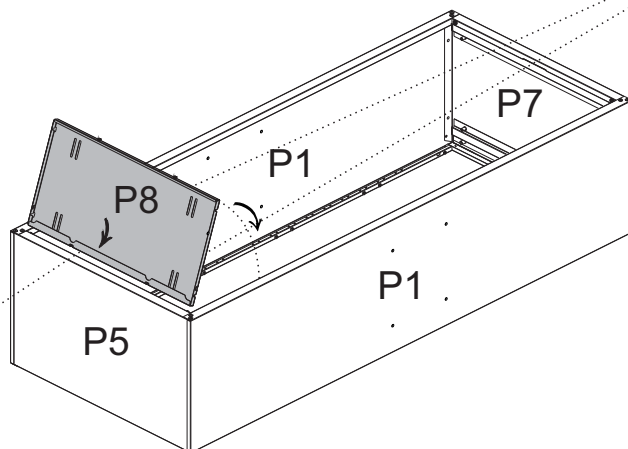
STEP 5

- 1 - Fit part **P8** into part **P5** and parts **P1**
- 2 - Check that all fits are supported over the bolts
- 3 - After fitting the parts, screw the bolts until locked



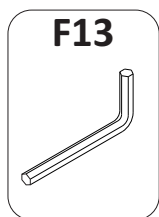
WARNING

“
Position part **P8** on the **P5** side for mounting the cabinet.
”



STEP 6

- 1 - With the end of **F13**, smash the safety claw, locking part **P8** to part **P1**.

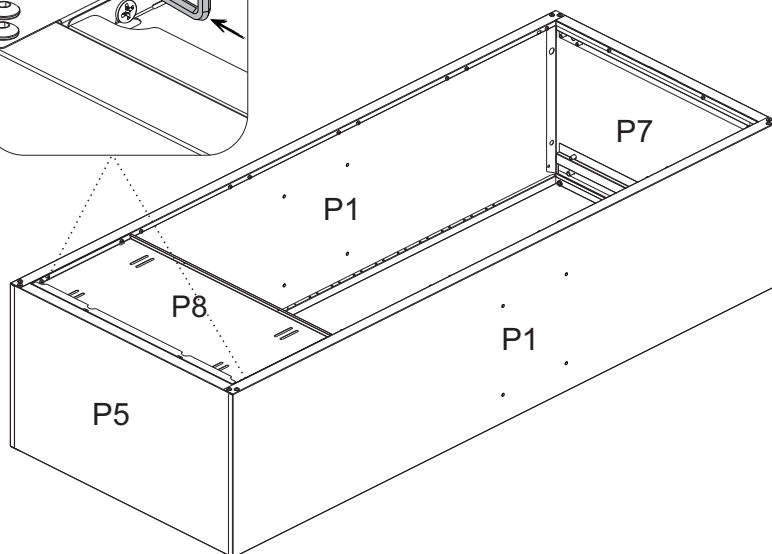
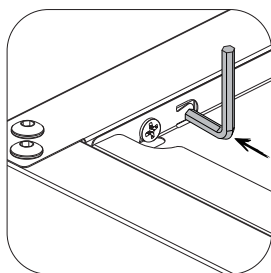


F13

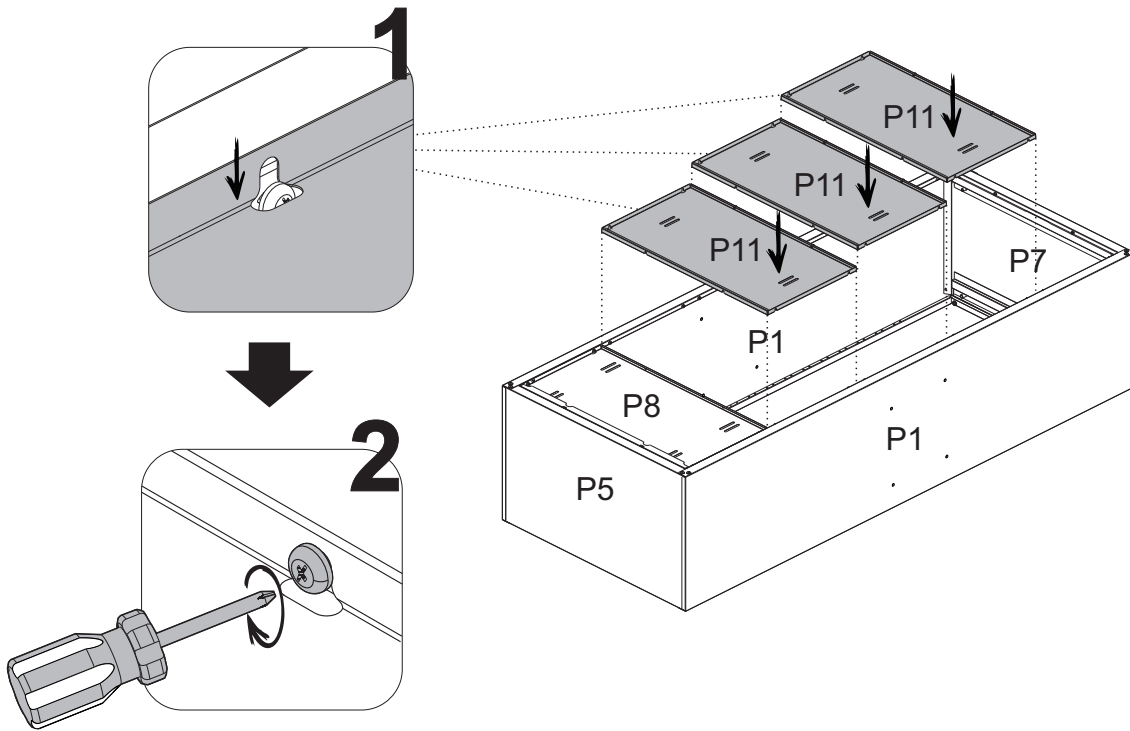


WARNING

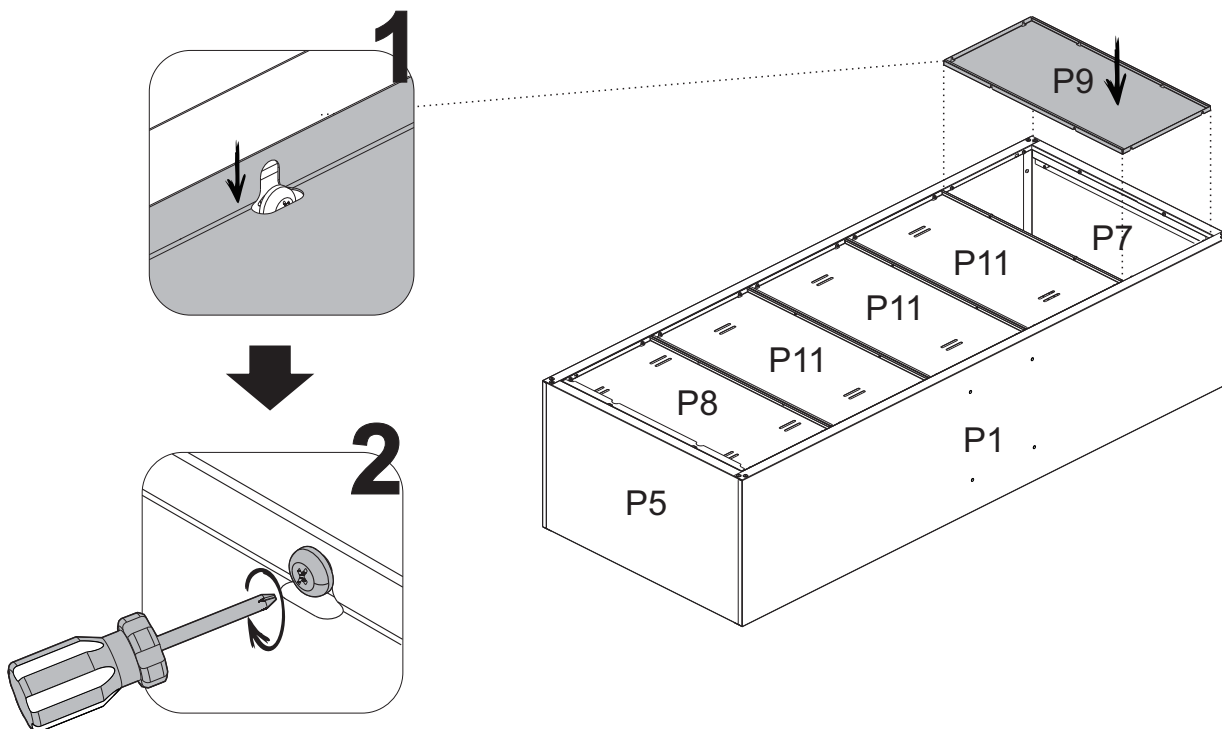
“
To avoid possible falls, this safety claw should be fixed.
”



- STEP 7**
- 1 - Fit parts **P11** inside parts **P1** and **P8**, as illustrated here below.
Check that all fits are supported over the bolts
 - 2 - After fitting the parts, screw the bolts until locked

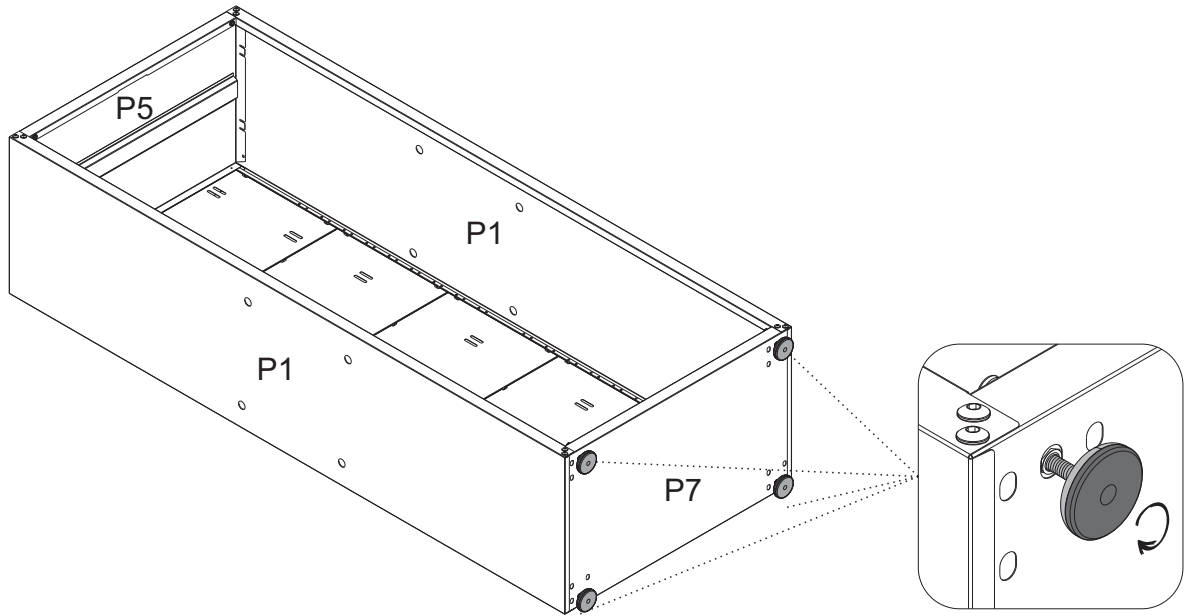
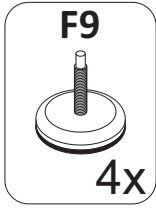


- STEP 8**
- 1 - Fit part **P9** inside parts **P1**, **P11** and **P7**.
Check that all fits are supported over the bolts.
 - 2 - After fitting the parts, screw the bolts until locked



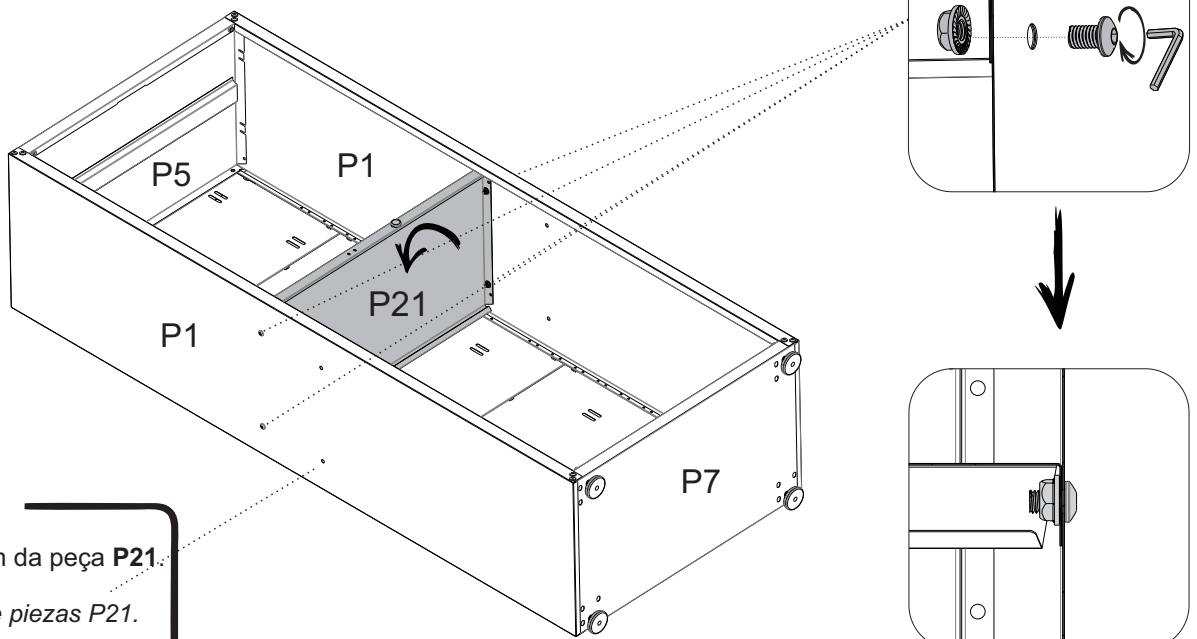
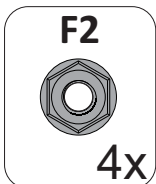
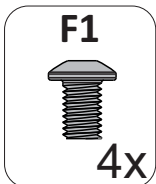
STEP 9

1 - To assembly the cabinet with shoe fit the accessory in part **P7** as illustrated here below and turn to screw. To level the height of the cabinet, turn the shoe either clockwise or counterclockwise to align it.



STEP 10

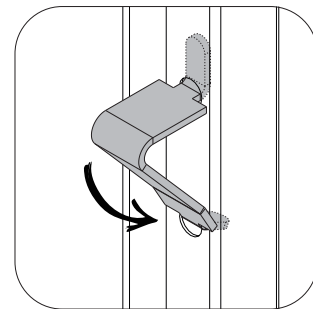
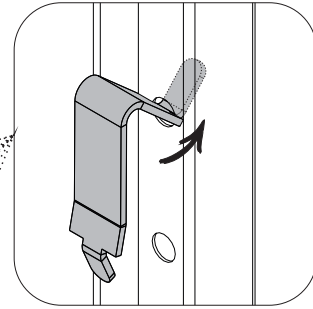
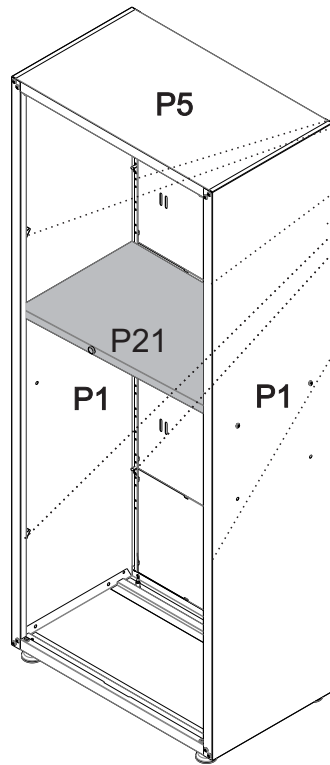
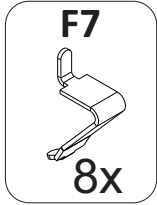
1 - Place part **P21** in a diagonal position to insert it inside the cabinet between parts **P1**.
2 - Screw the part **P21** with the two parts **P1**, with **F1** and **F2**.



“ Opções de regulagem da peça **P21**.
Opciones de ajuste de piezas **P21**.
Part adjustment options **P21**. ”

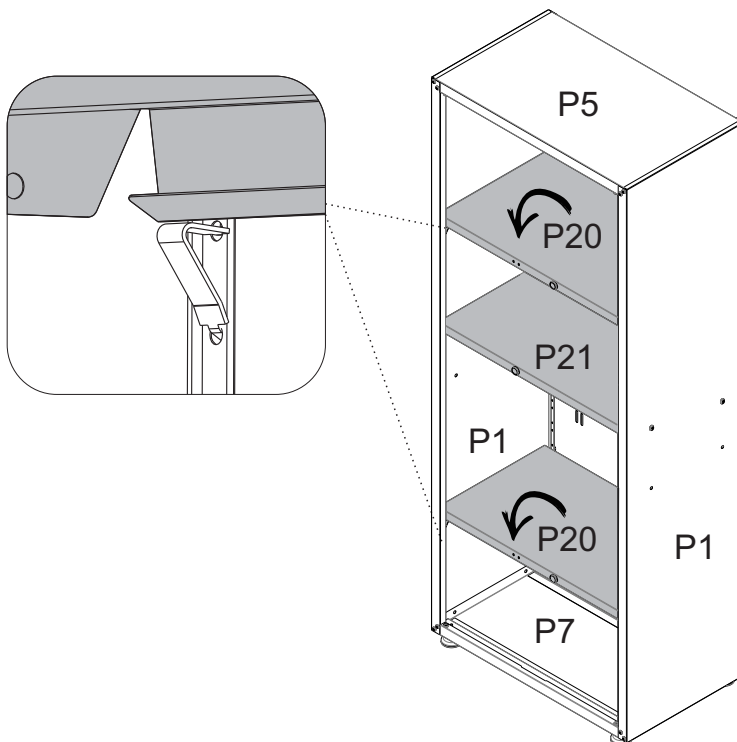
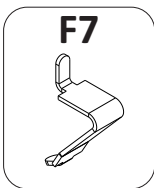
STEP 11

- 1- Turn the cupboard so that it will stand in the position of use.
- 2- Fix **F7** to parts **P1**, as shown here below.



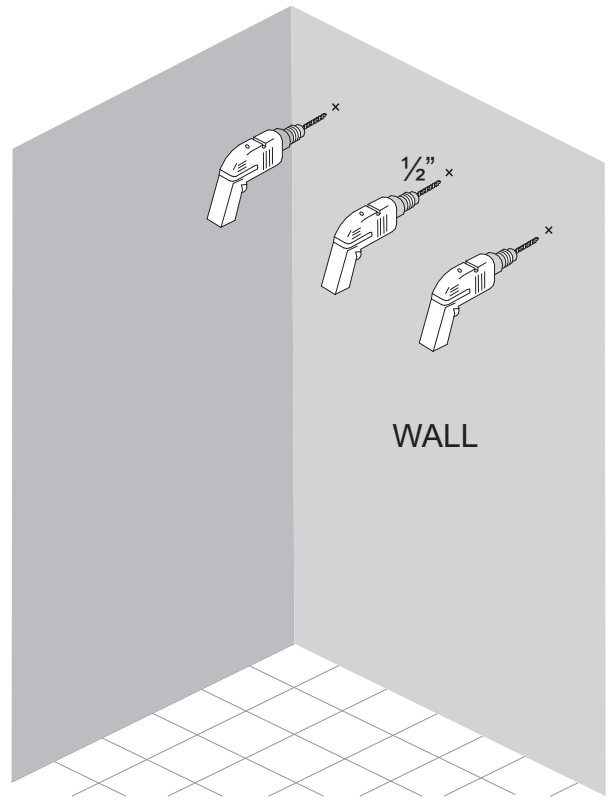
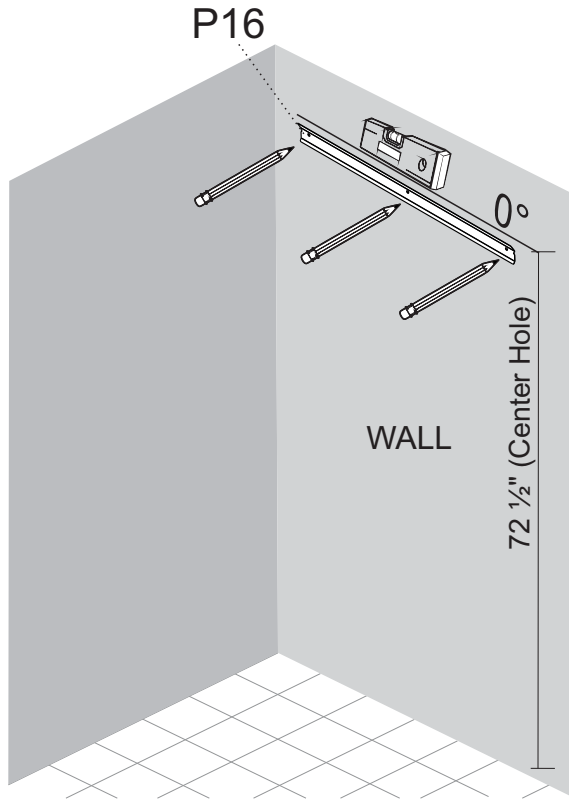
STEP 12

- 1 - Fit the lower part **P20** in diagonal position to insert it inside the cupboard.
- 2 - Lean part **P20** in part **P1** and place it over the **F7** detailed in the figure here below.
- 3 - Lower the other side of part **P20**, leaning it over the left **F7**.



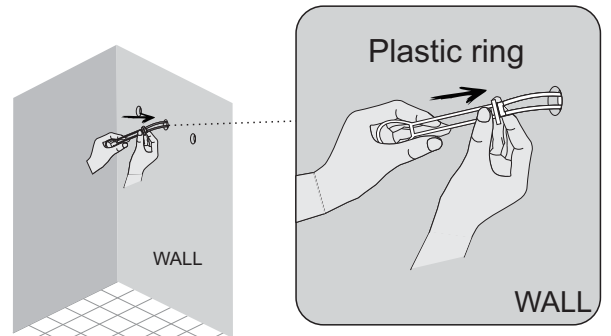
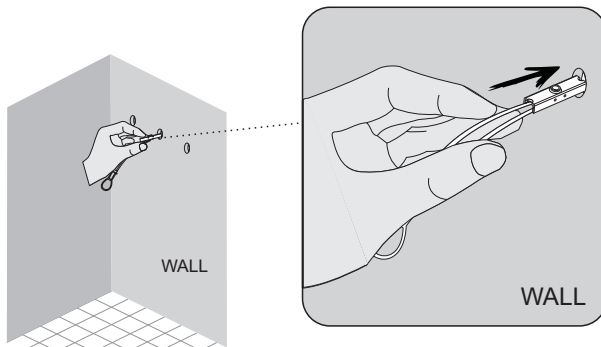
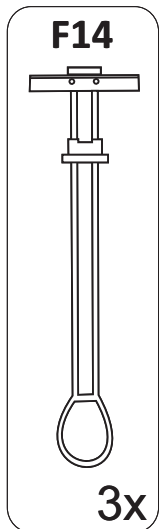
- STEP 13**
- 1 - Align part **P16** at an approximate height of 72 1/2" from the floor
 - 2 - Align the part using a level
 - 3 - Mark the wall using holes of part **P16**, aided by a pencil

- 4 - Withdraw the part
- 5 - Drill the wall where marked on the wall, with the pencil using a driller with a 1/2" (13 mm) drill

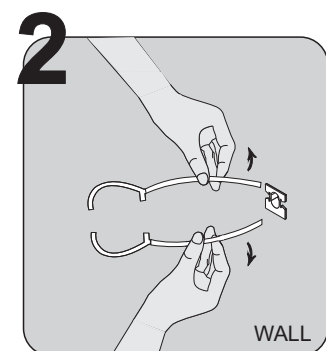
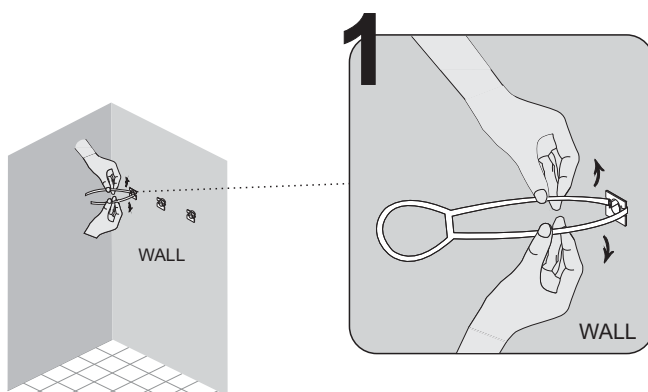


- STEP 14**
- 1 - Insert the metal part of the bushing into the hole until it overcomes the wall.

- 2 - Pull the bushing driving it against the wall and then push the plastic ring until it leans close to the wall

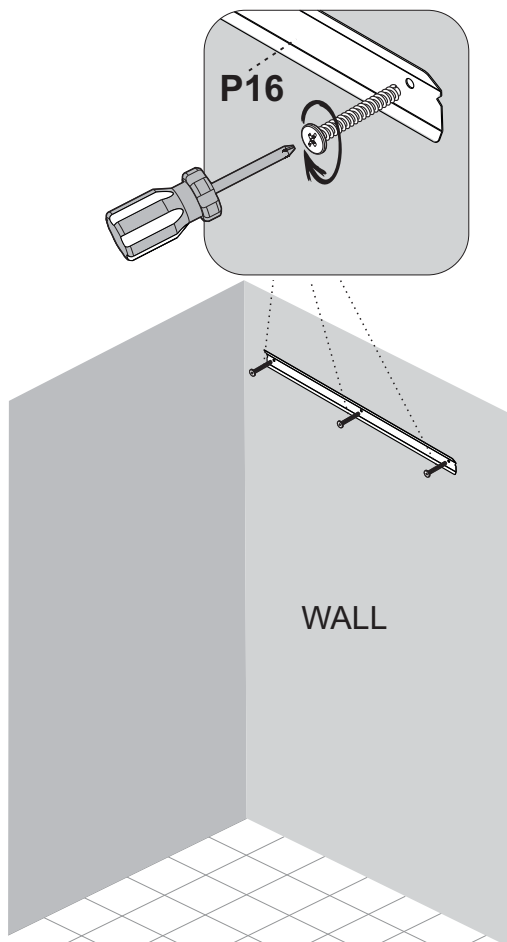
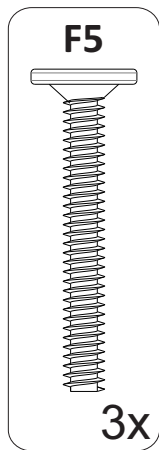


- 3 - Break the bushing's rods



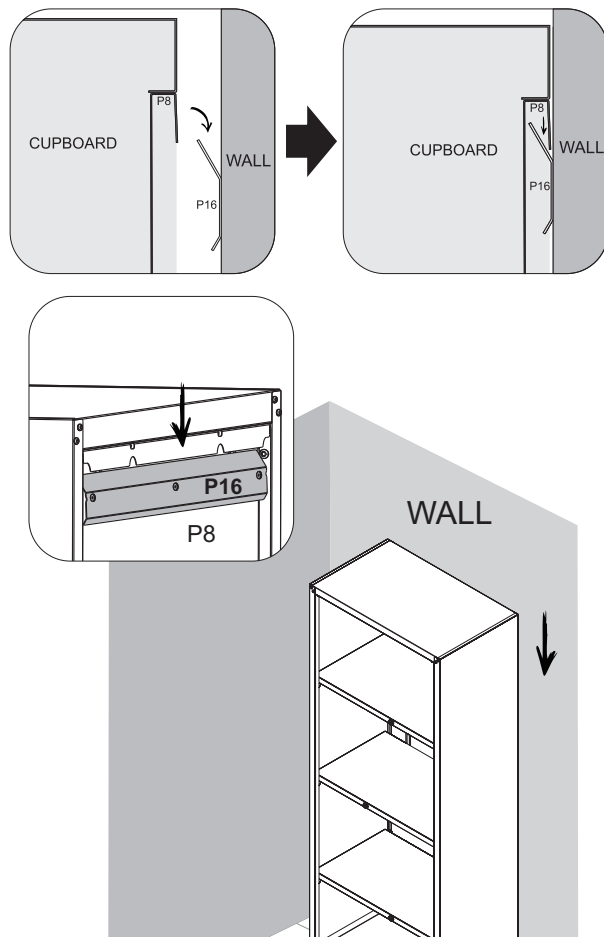
STEP 15

1 - Align part **P16** to the bushings and fix them with **F5**



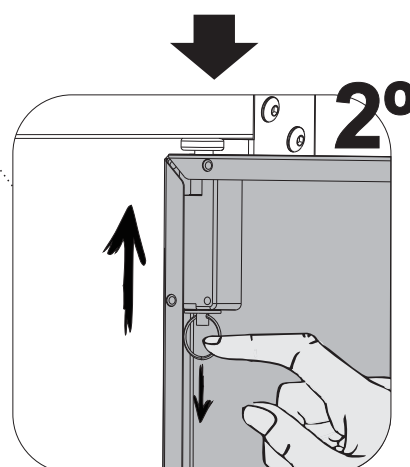
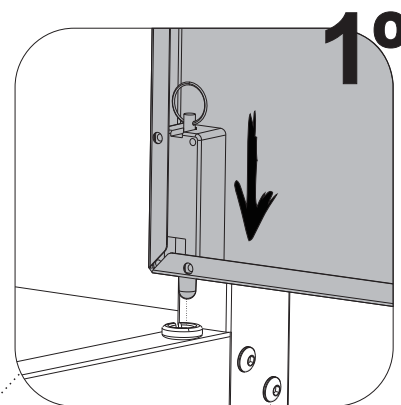
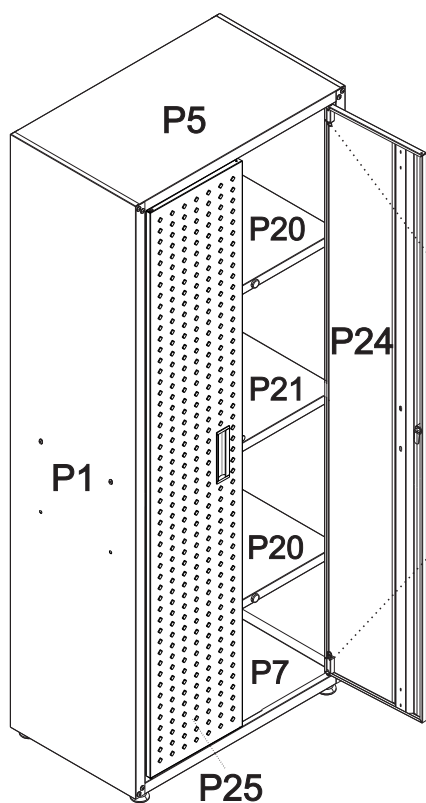
2 - Fix the cupboard to part **P16**, held to the wall. Part **P8** tab shall be used to this purpose.

3 - Adjust feet

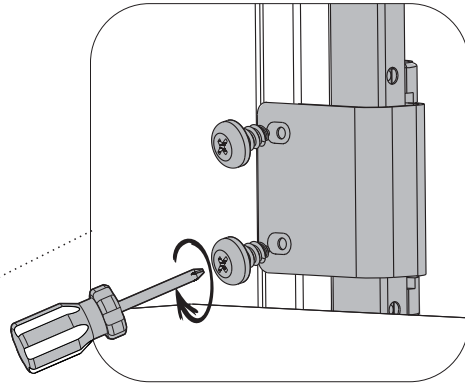
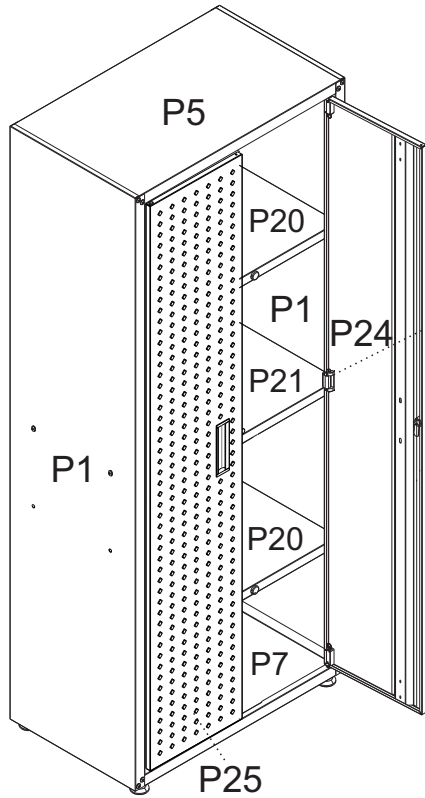
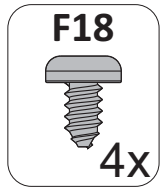


STEP 16

1 - To assembly the doors, fit door **P24** lower hinge bolt inside the bushing fixed in part **P7**
2 - Then, pull down the pin of door **P24** upper hinge; align the door and release the pin to fit the bushing fixed in part **P5**
3 - Repeat the step for part **P25**

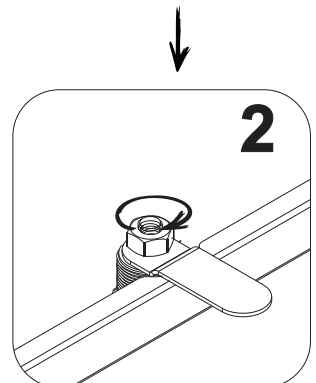
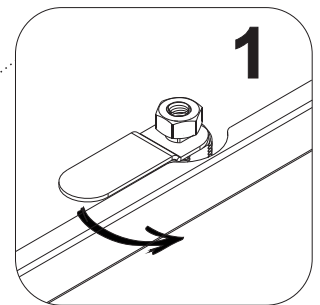
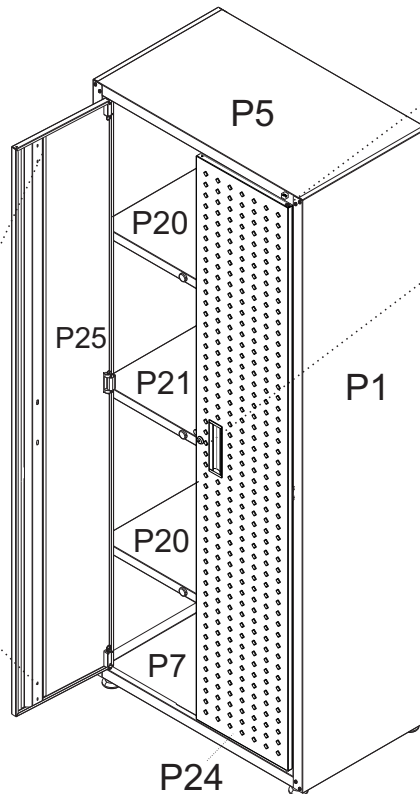
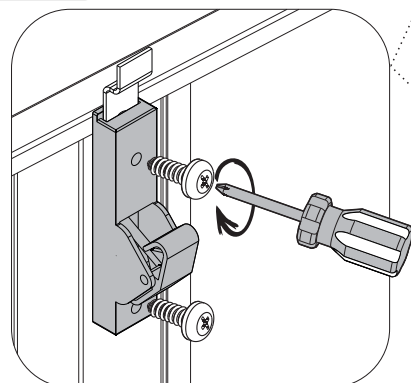
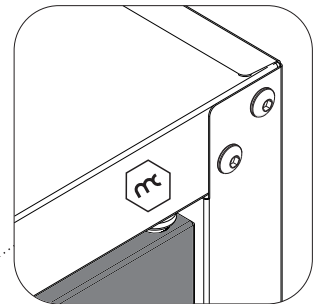
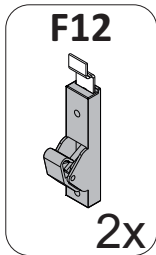
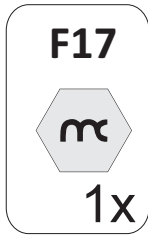
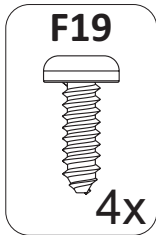


- STEP 17** 1 - Turn the central hinge tab until it leans onto **P1** hinge back part. Align the hinge tab and **P1** holes and fix it with **F18**.
 2 - Repeat the step for part **P25**



STEP 18

- 1 - Fit **F12** to the inside of part **P25**, with **F19**.
 2 - Adjusting the position of the locking tongue.
 3 - Insert product logo.





FORTRESS GARAGE WARRANTS TERMS

This product has the guarantee for a period of twelve (12) months, this limited warranty is effective from the date of the original consumer purchase. Proof of original purchase date is required to obtain service or replacement under this limited warranty. Once the defect of manufacture has been verified, the consumer should contact the store where he purchased the product. In the warranty period, any defective parts will be replaced free of charge by another of the same line and model. The installation and assembly in the residence of the customer is not the responsibility of the factory or the store. The assembly must correctly follow the instructions inside the packaging of each module.

ITEMS EXCLUDED FROM WARRANTS

This limited warranty does not cover:

1. In-home service including, but not limited to, service calls to correct the installation of any Manhattan Comfort Fortress Garage products or to instruct the consumer on how to use or install them.
2. Damage resulting from improper handling or shipping of products, or products damaged by accident, alteration, misuse, abuse, fire, flood, improper installation, acts of God, neglect, corrosion, modification or mishandling.
3. All travel, transportation, shipping or freight fees to deliver replacement products or to return defective products.
4. Factory specified replacement parts or product replacement when your product is used in other than normal, single-family household use, such as a commercial environment or handled in a manner contrary to published user or operator instructions and/or installation instructions.
5. Aesthetic damages including scratches, dings, dents or cracks that do not affect the structural or functional capability of the product.
6. Any labor costs during the limited warranty period.
7. Damage resulting from improper loading beyond the specified maximum weight capacity outlined in the assembly instructions provided with the product including overloading of hooks, baskets, shelves, cabinets, and other Manhattan Comfort Fortress Garage accessories used with the product.
8. Surfaces damaged due to chemical interaction resulting in corrosion of paint or metal.
9. Replacement keys or locking mechanism.

The cost of repair or replacement under these excluded circumstances shall be borne by the customer.

DISCLAIMER OF IMPLIED WARRANTY

Implied warranties, including any implied warranty of merchantability or implied warrant of fitness for a particular purpose, are limited to one year or shortest period allowed by law.

LIMITATION OF REMEDIES; EXCLUSION OF INCIDENTAL AND CONSEQUENTIAL DAMAGES

Your sole and exclusive remedy under this limited warranty shall be product repair as provided herein. Manhattan Comfort Fortress Garage shall not be liable for incidental or consequential damages.

TAKING GOOD CARE OF YOUR CABINET

Cleaning and caring instructions:

Avoid dragging objects on top of the cabinet. They might scratch the finishing.

Only non-abrasive natural chemical products are recommended to clean your cabinet. Simply wipe the cabinet down with a wet cloth to remove the cleaning product excess.

Never clean the cabinet with scouring powders, steel scrubber pads or any other product which can scratch its surface.

Chemical products are not recommended.

Cabinet surfaces should not be covered with colored plastic or paper sheets.

Acid substances must remain properly stored in sealed containers.

Avoid the direct contact of water with other surfaces, as the humidity can affect the durability of the cabinets.

Avoid cabinets exposure to direct Sun light. Drapers suggested.

This guidance should be saved for future reference, if necessary.



Stuck? Questions? We are here to help.

1-888-230-2225

help@manhattancomfort.com