



MANHATTAN
COMFORT

888-230-2225

help@manhattancomfort.com

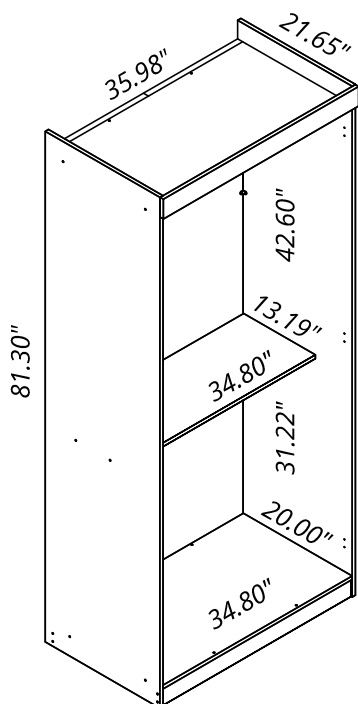
319 Ridge Rd, Dayton, NJ08810, New Jersey - United States



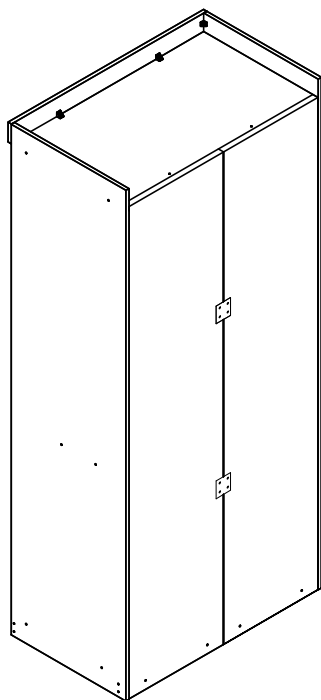
Mulberry

Short Hanger Open Side Corner Closet

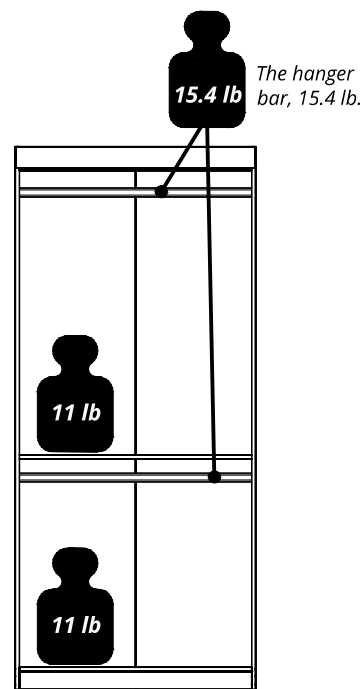
You can access the QR code to watch the assembly video!



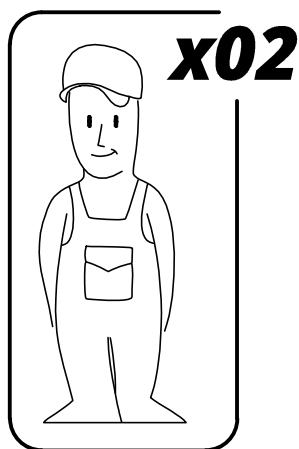
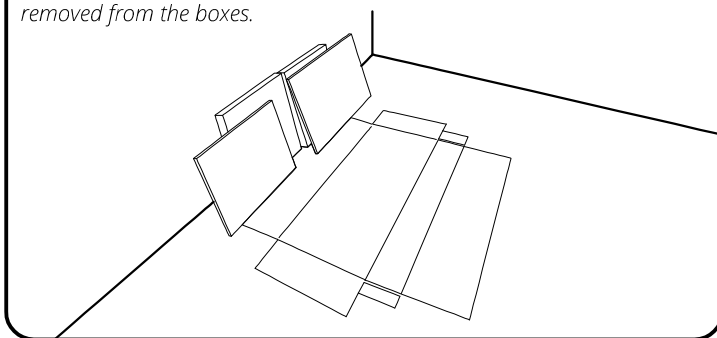
Front view



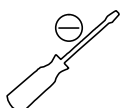
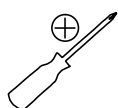
Rear view



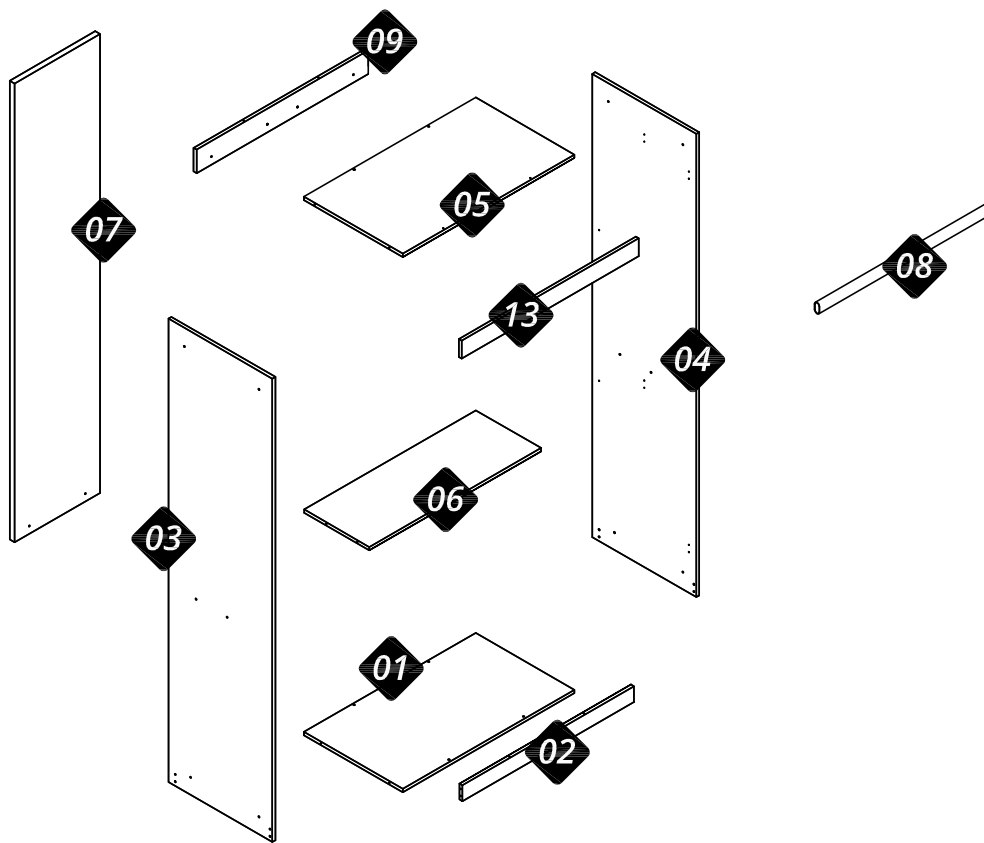
Prepare the room before starting the assembly, leaving it completely clean and the area in good condition to start the work.
Use the cardboard of the packaging to separate and support the parts removed from the boxes.



Recommended tools (not included)

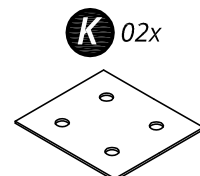
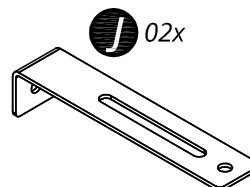
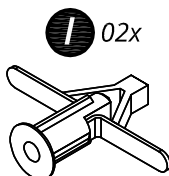
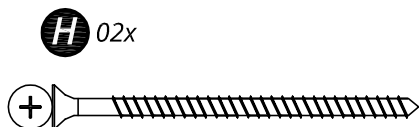
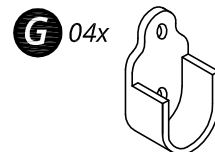
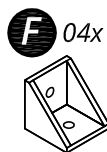
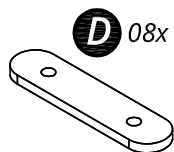
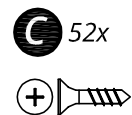
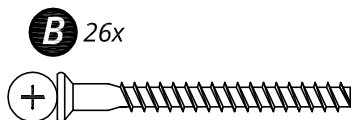
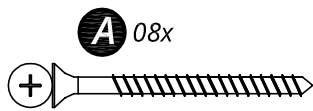


Parts



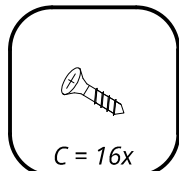
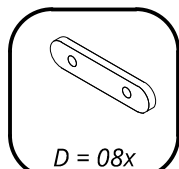
N°	Description	Qty.	Box
01	Base	01	01
02	Lower bar	03	01
03	Left side panel	01	01
04	Right side panel	01	01
05	Top panel	01	01
06	Shelf	01	01
07	Rear panel	02	01
08	Aluminum hanger bar	02	01
09	Upper rear bar	01	01
13	Upper bar	01	01

Hardware

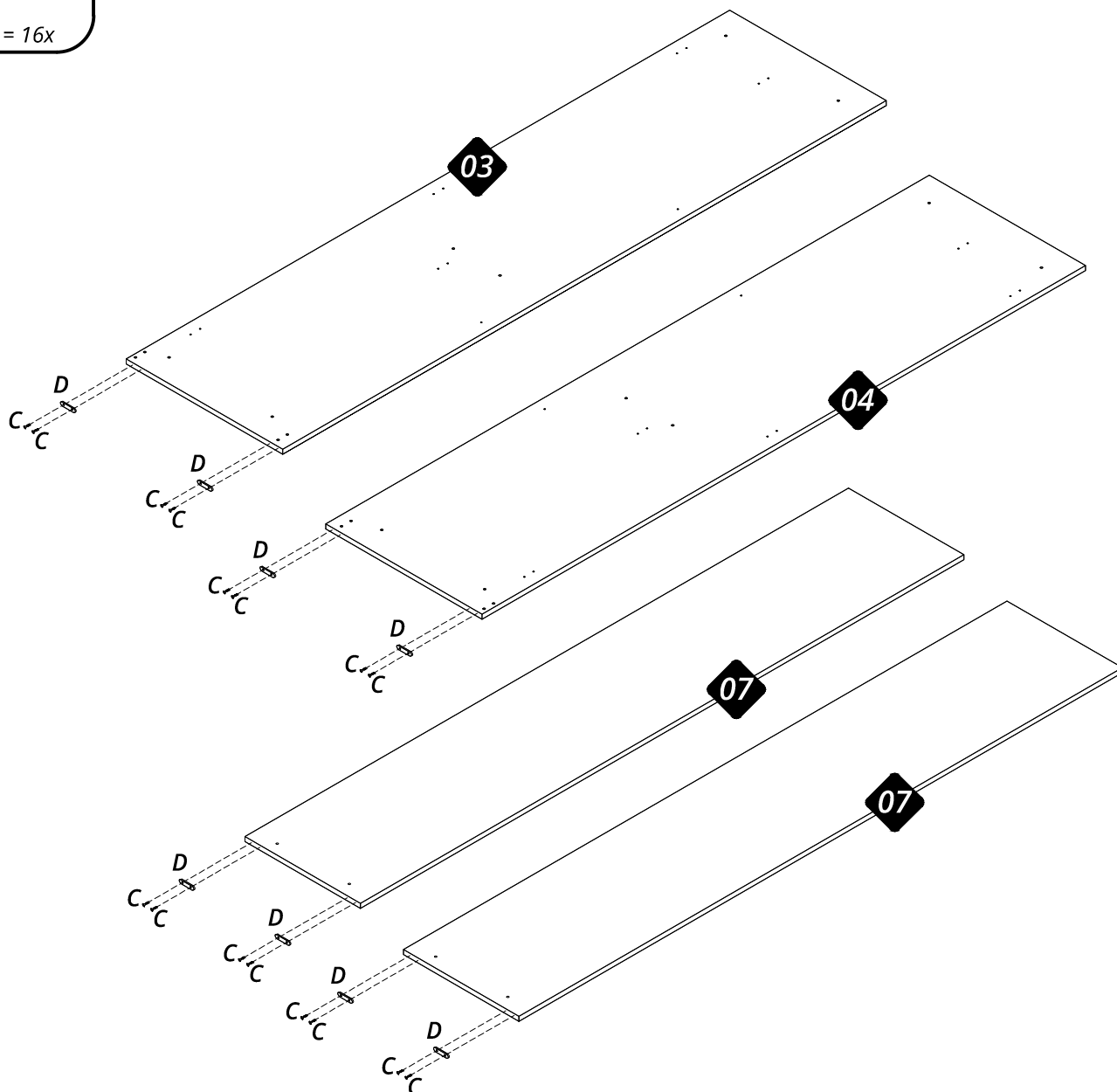
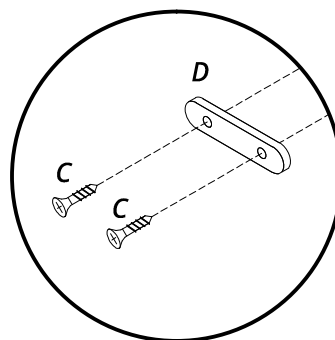


Attention, all the assemblage must be done on the cardboard box or the Styrofoam boards to avoid damage to the parts.

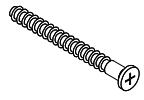
Step 01



Connect the hardware (D) onto the parts 03 and 04 with the hardware (C).

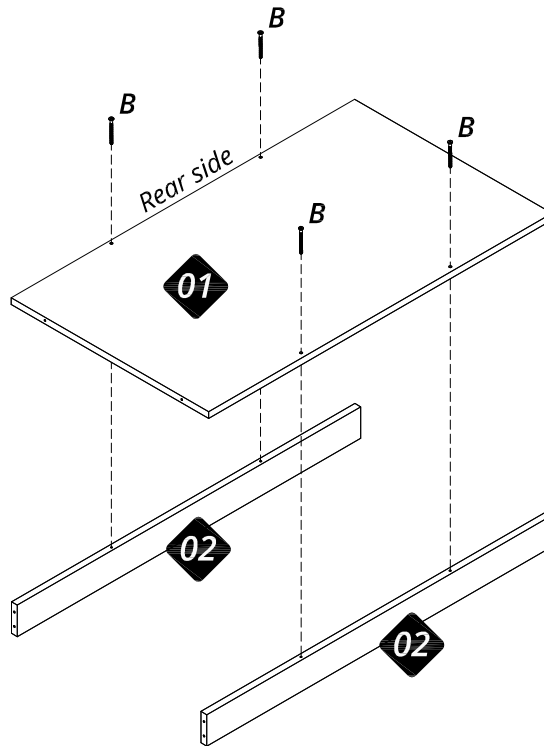


Step 02

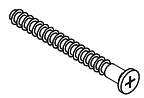


B = 04x

Connect the part 01 onto the parts 02 with the hardware (B).

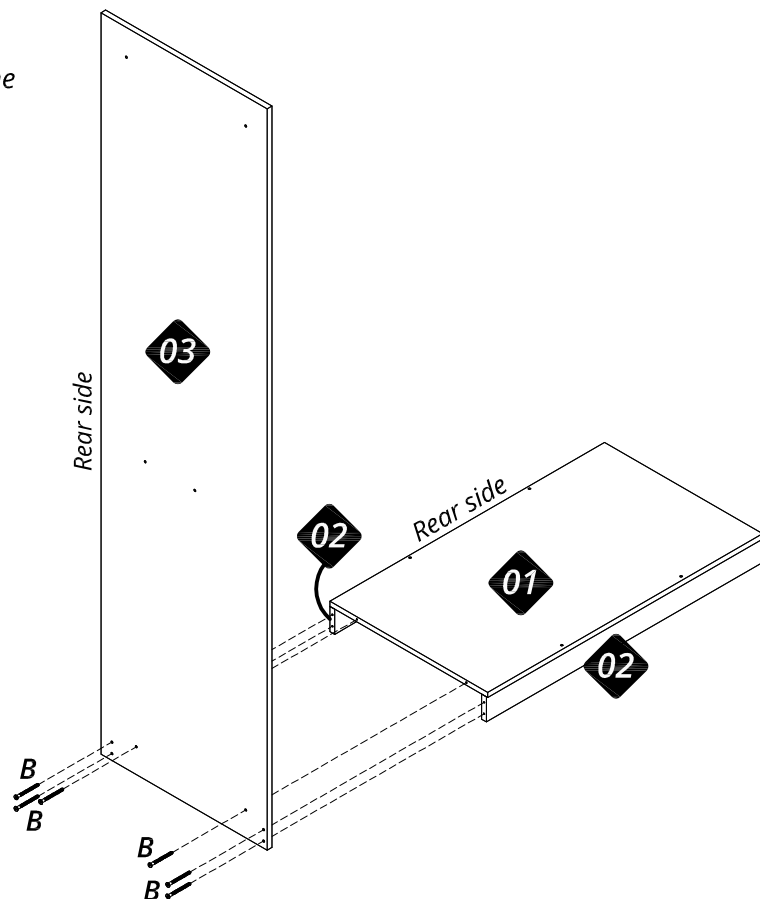


Step 03

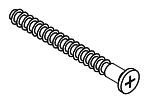


B = 06x

Connect the part 03 onto the parts 01 and 02 with the hardware (B).

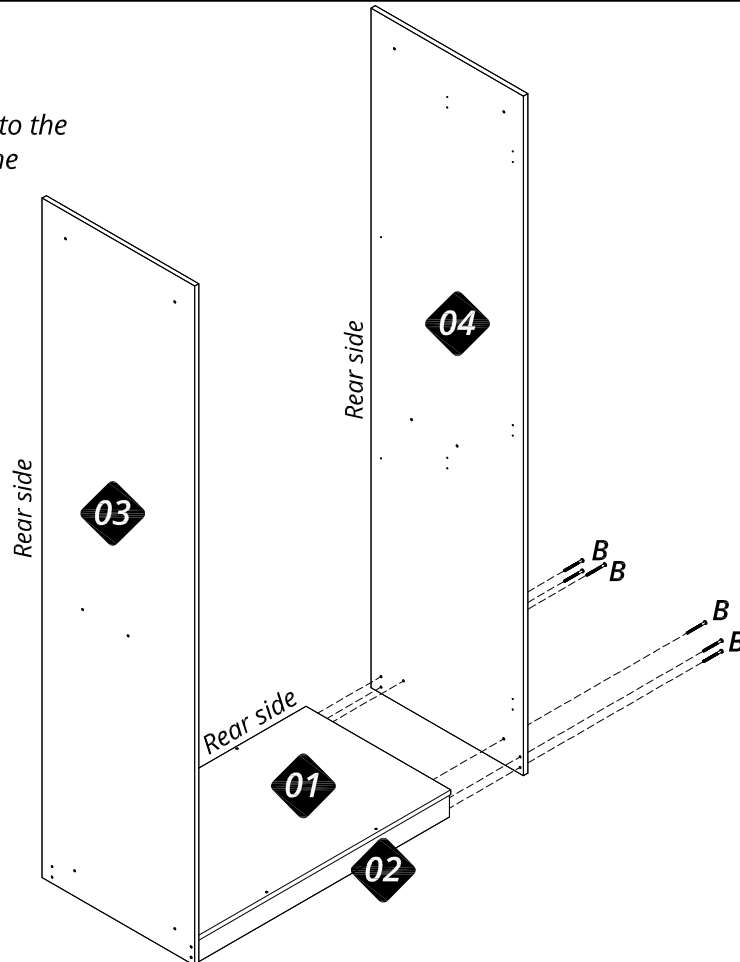


Step 04

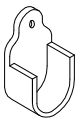


B = 06x

Connect the part 04 onto the parts 01 and 02 with the hardware (B).



Step 05

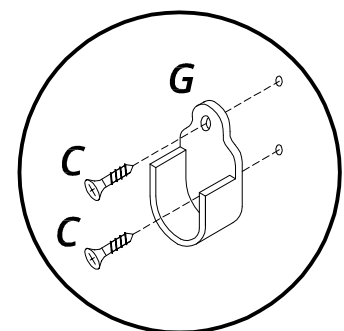
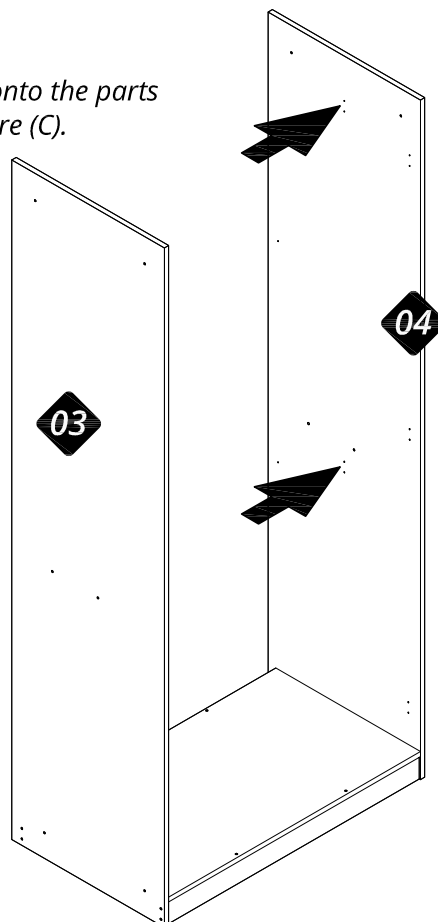


G = 02x

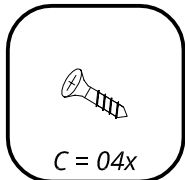
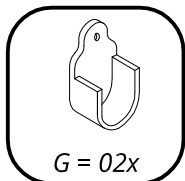


C = 04x

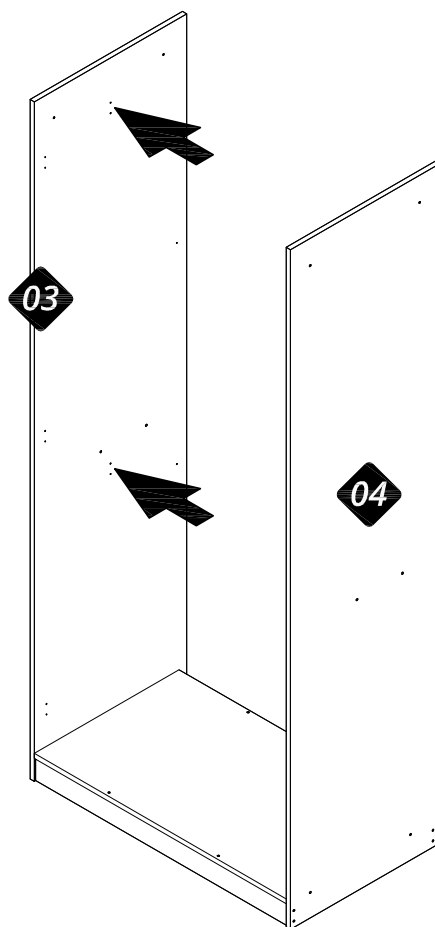
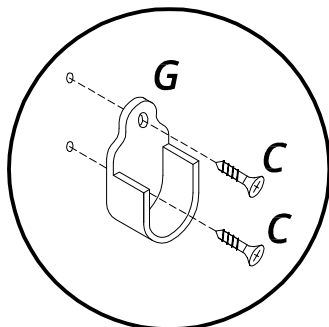
Connect the hardware (G) onto the parts 03 and 04 with the hardware (C).



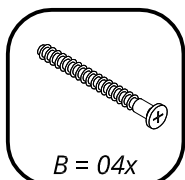
Step 06



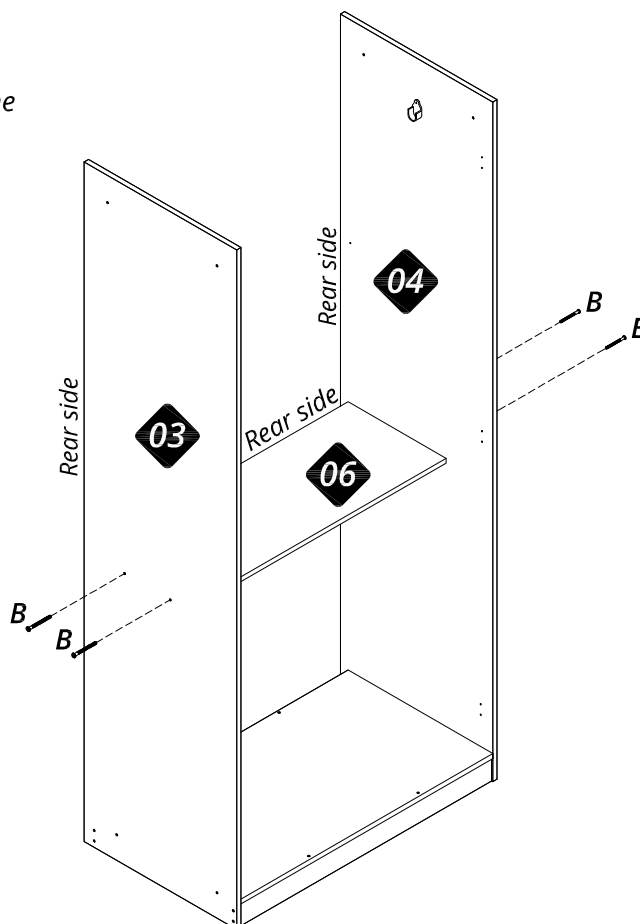
Connect the hardware (G) onto the parts 03 and 04 with the hardware (C).



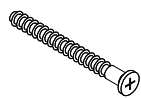
Step 07



Connect the part 06 onto the parts 03 and 04 with the hardware (B).

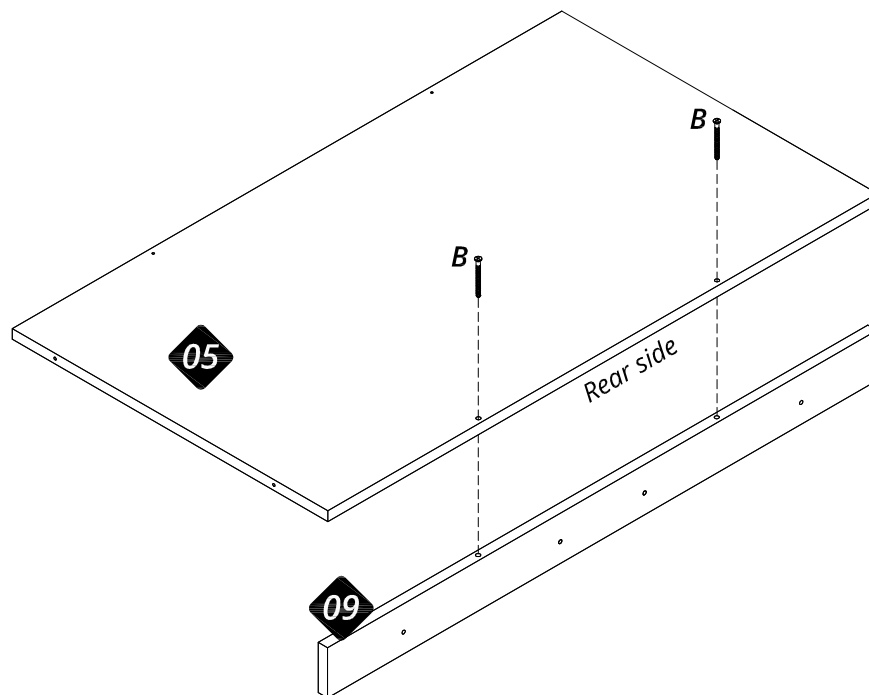


Step 08



B = 02x

Connect the part 02 onto the part 09 with the hardware (B).



Step 09

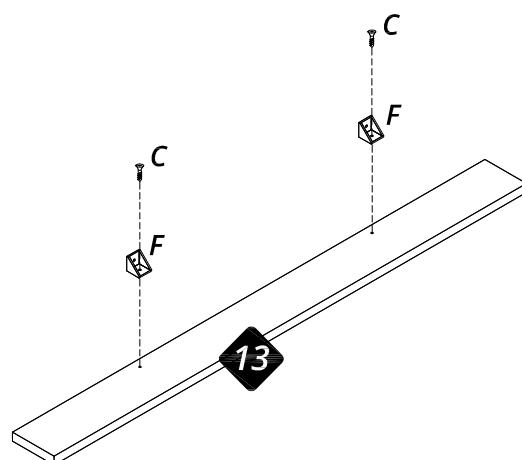


F = 02x

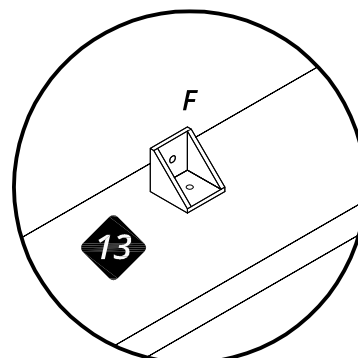
Connect the hardware (F) onto the part 13 with the hardware (C).



C = 02x



Observe the position of the hardware (F) on the part 13.

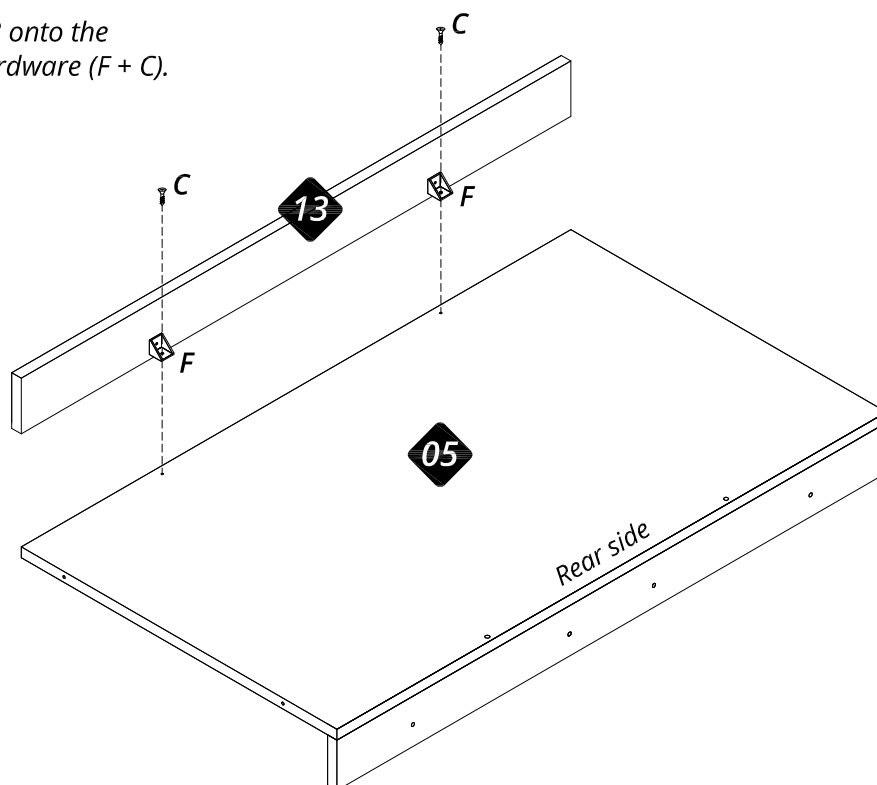


Step 10

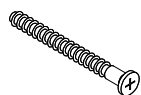


C = 02x

Connect the part 13 onto the part 05 with the hardware (F + C).

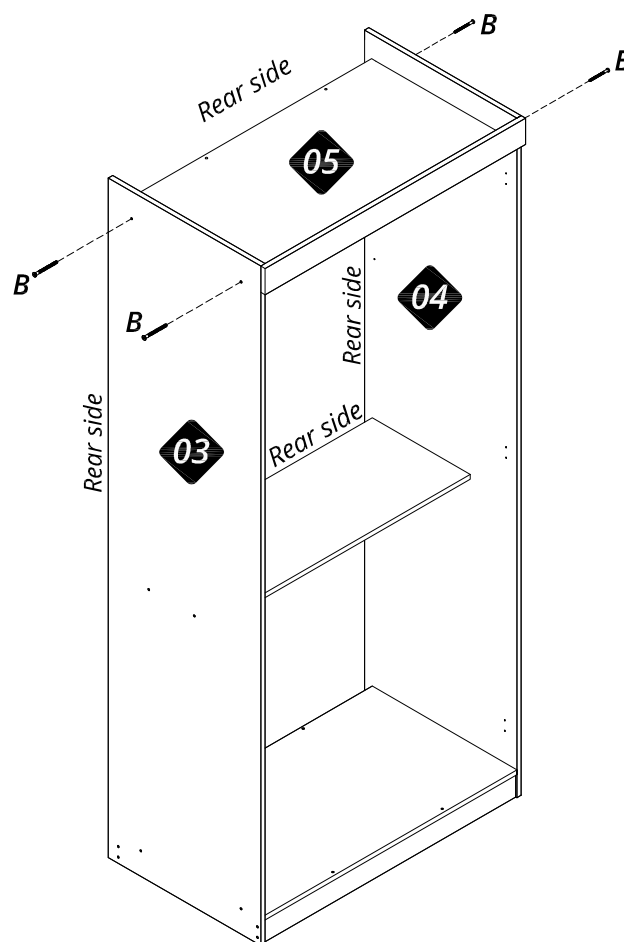


Step 11



B = 04x

Connect the 05 onto the parts 03 and 04 with the hardware (B).



Step 12

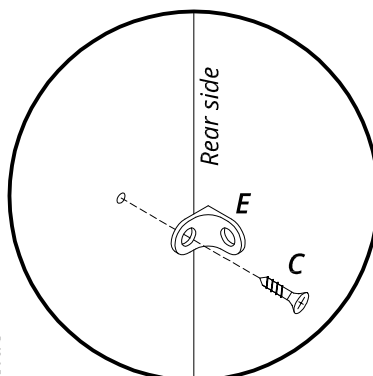
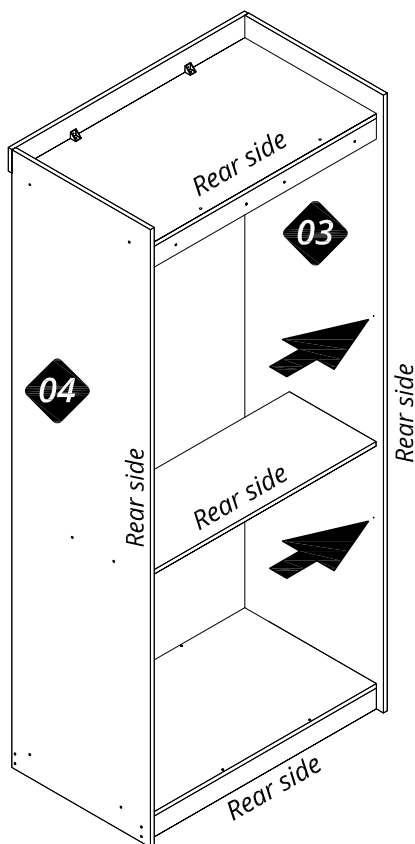


C = 04x

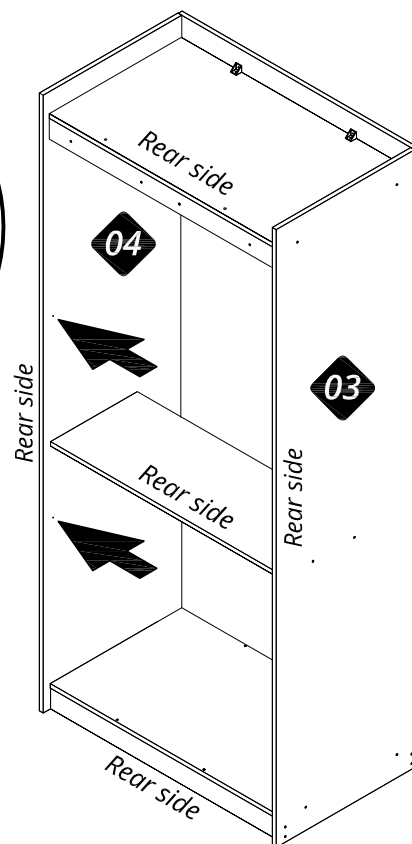


E = 04x

Connect the hardware (E) onto the parts 03 and 04 with the hardware (C).

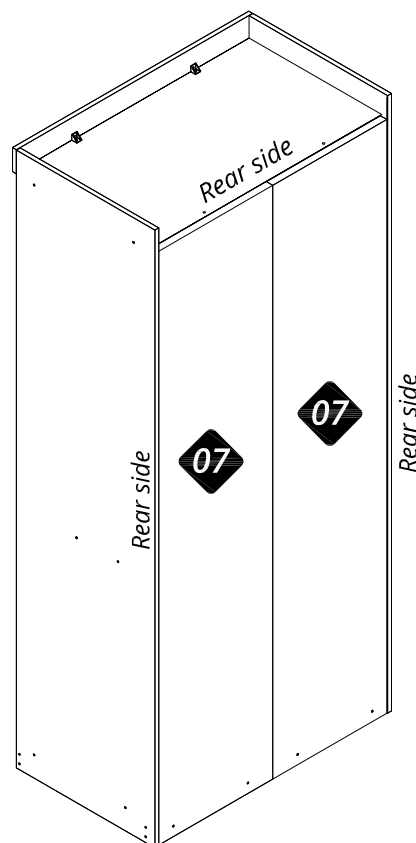
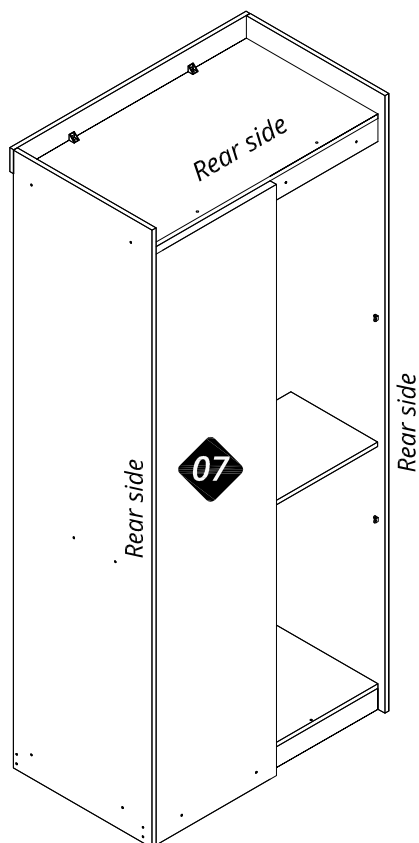


Pay attention to the position of the hardware (E).



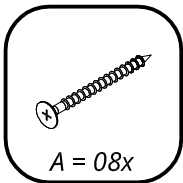
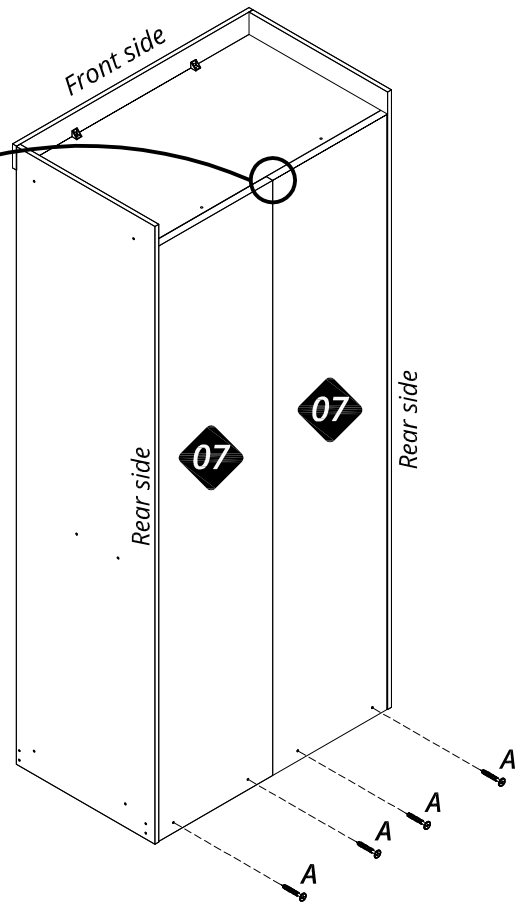
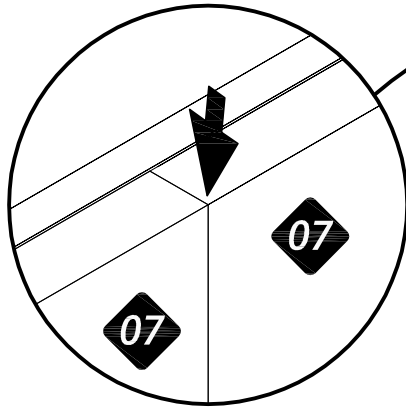
Step 13

Connect the parts 07 on the rear side of the wardrobe.



Step 14

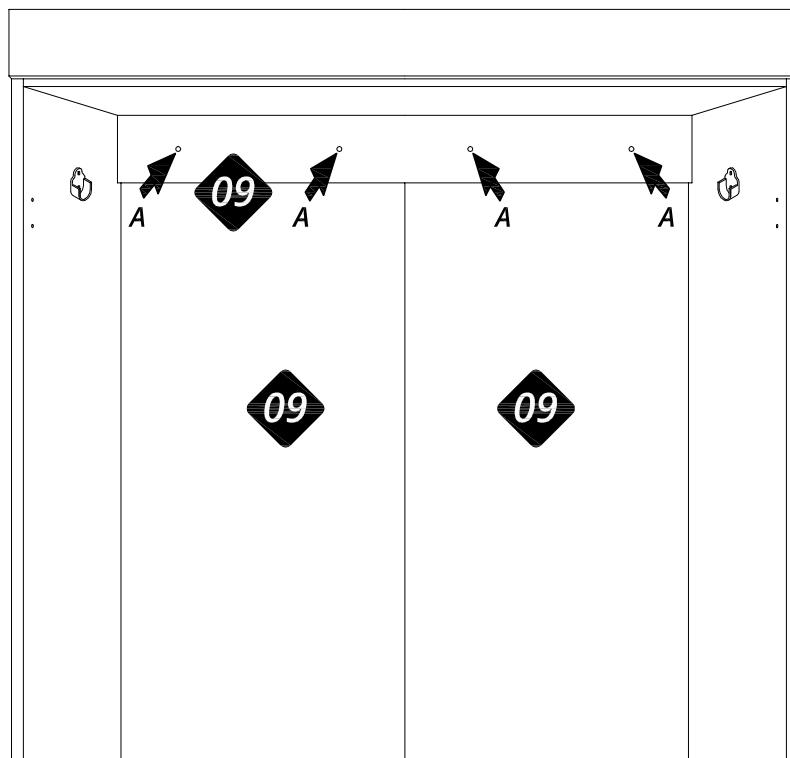
Align the parts 07.



Connect the parts 07 with the hardware (A).

Connect the part 09 and the parts 07 with the hardware (A).

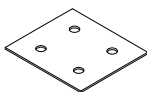
Front view



Step 15

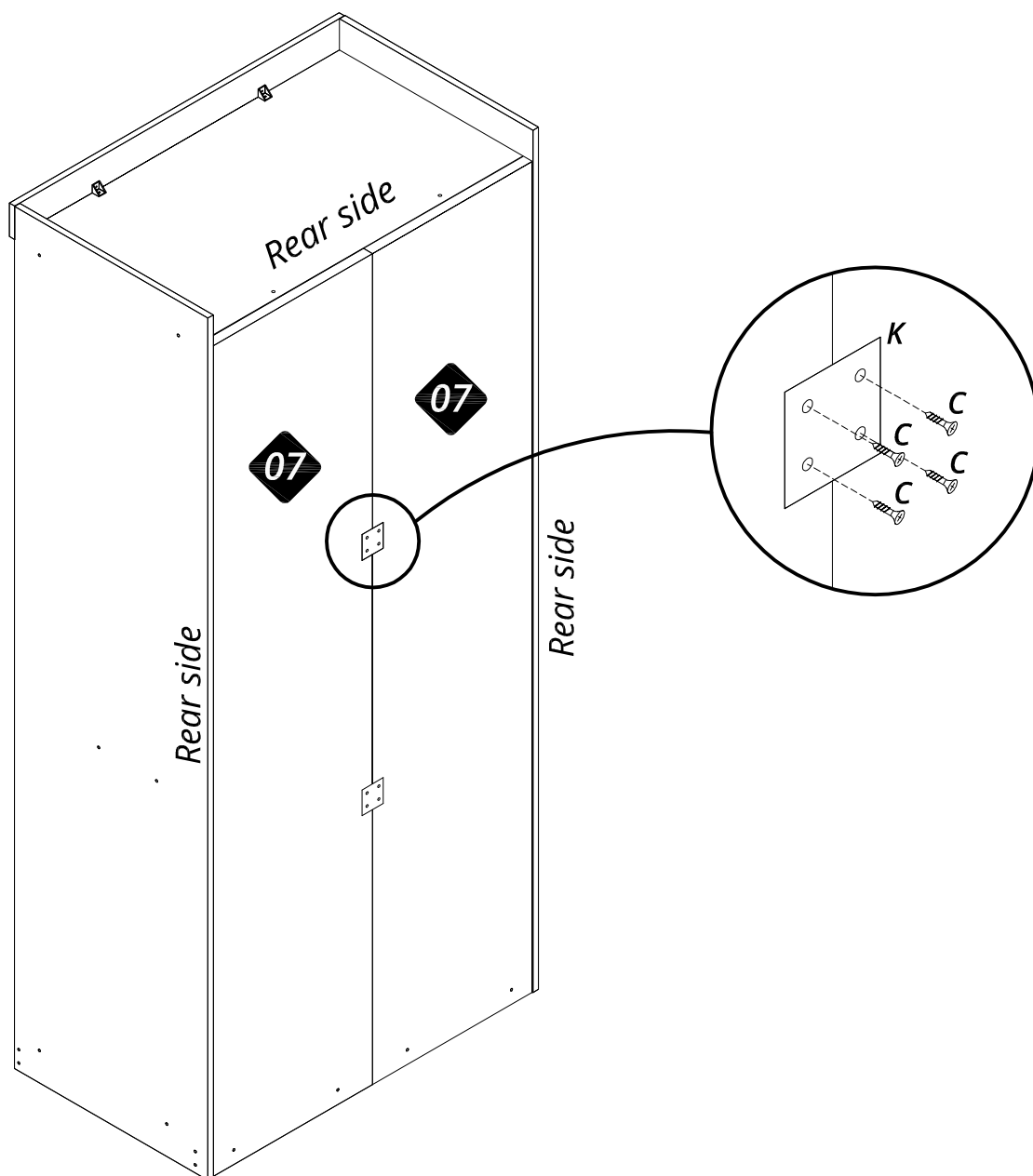


C = 08x



K = 02x

Connect the hardware (K) onto the parts 07 with the hardware (C).



Step 16

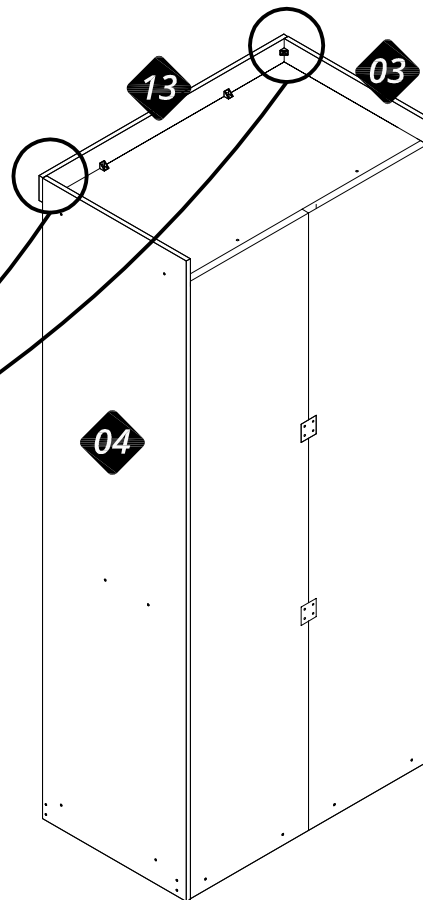
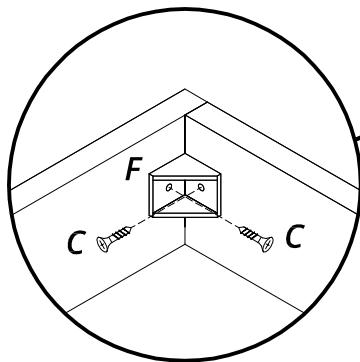


C = 04x



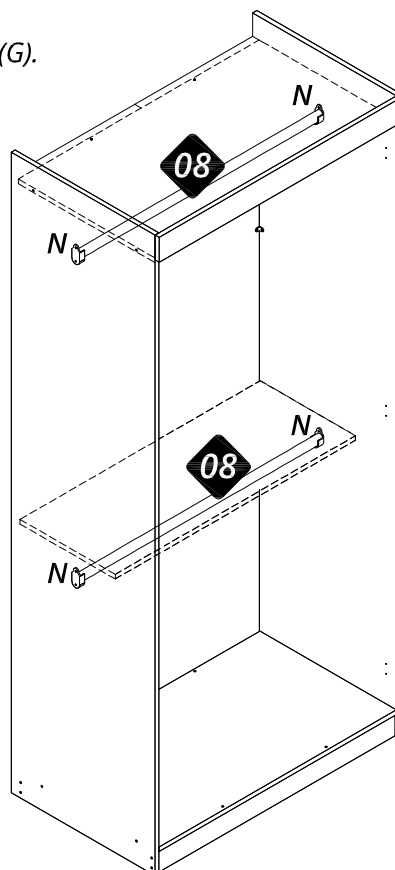
F = 02x

Connect the part 13 onto the parts 03 and 04 with the hardware (C + F).



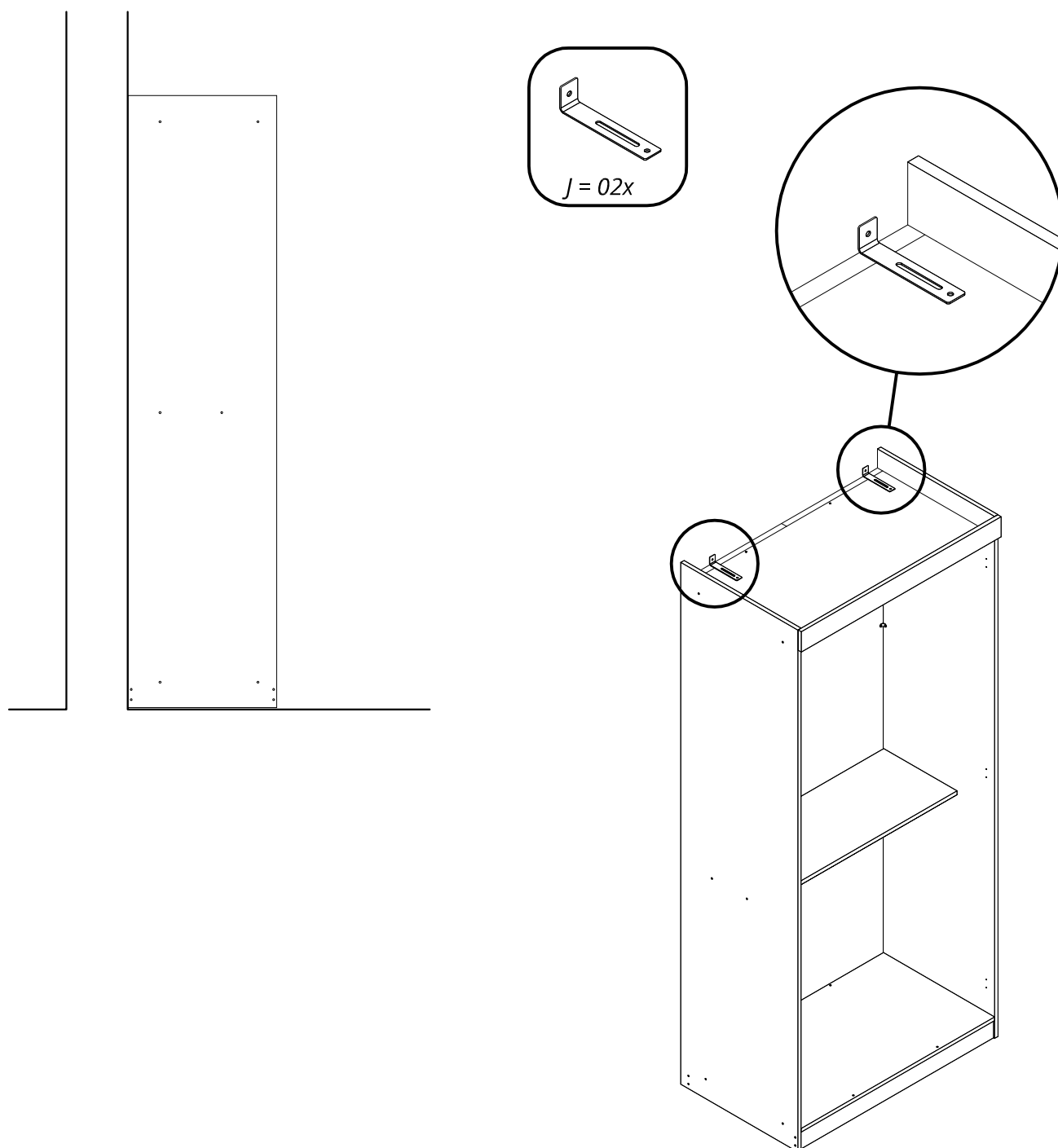
Step 17

Connect the parts 08 into the hardware (G).



Step 18**Attention! Tipover system.**

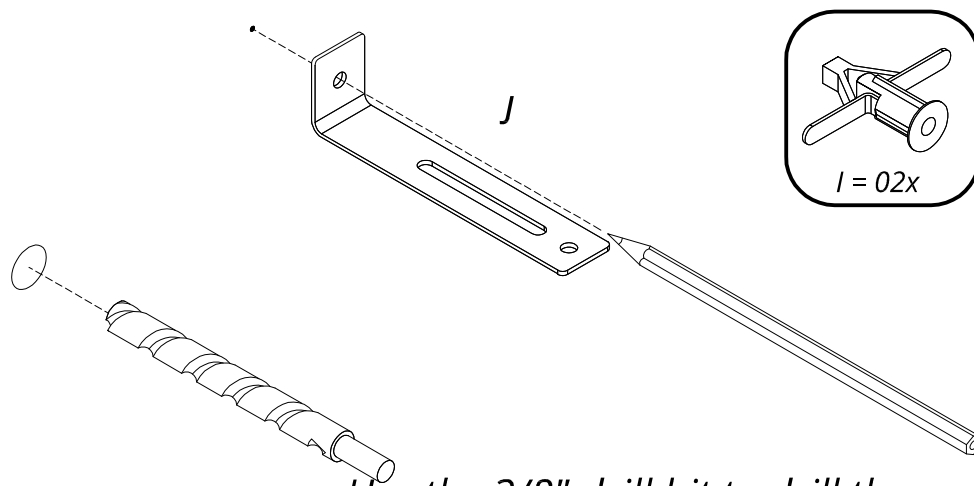
First, approach the furniture as close as possible to the wall.



Step 19

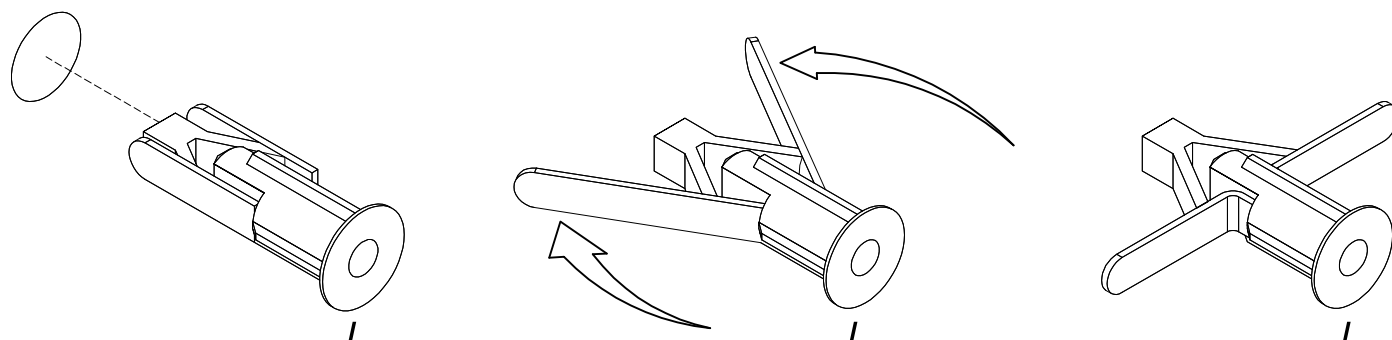
Attention! Tipover system.

You will need a pencil to mark where you should drill the wall with a 3/8" drill bit to put in the hardware (1).

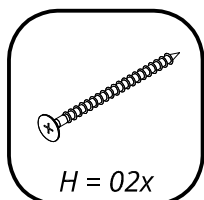


Use the 3/8" drill bit to drill the wall.

Press the wings of the hardware (1) and put it in to the hole that you drilled on the wall.

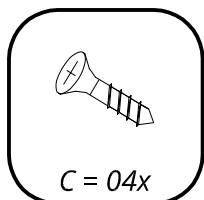
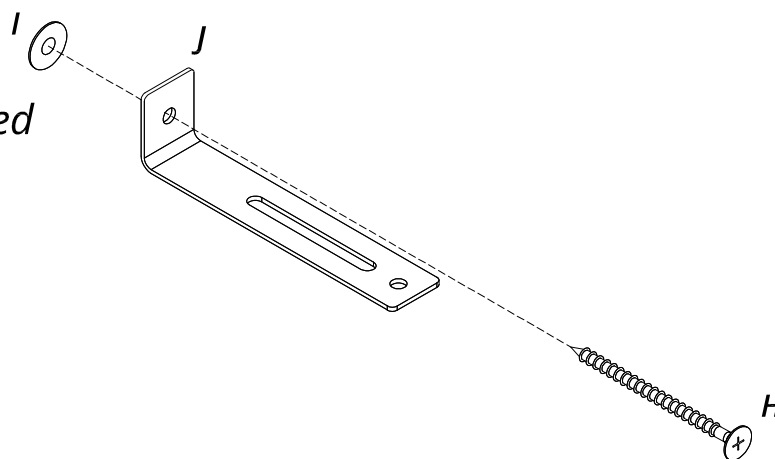


Step 20

Attention! Tipover system.

Connect the hardware (J) on the wall using the hardware (H).

*Hardware (I) plugged in the wall.



Connect the hardware (J), on the part 11 with the hardware (C).

