

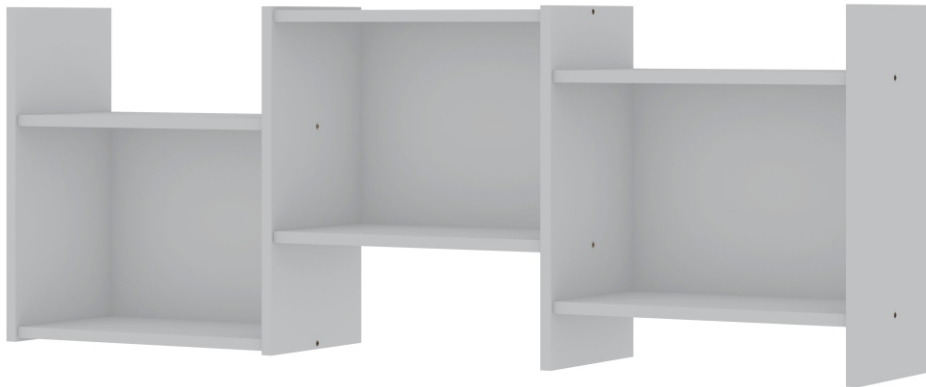


MANHATTAN
COMFORT

888-230-2225

help@manhattancomfort.com

319 RIDGE RD, DAYTON, NJ08810, NEW JERSEY - UNITED STATES



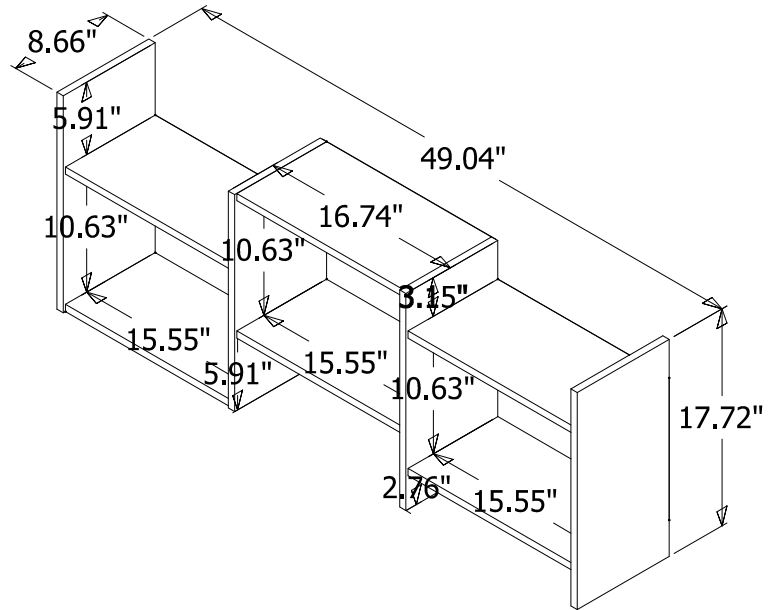
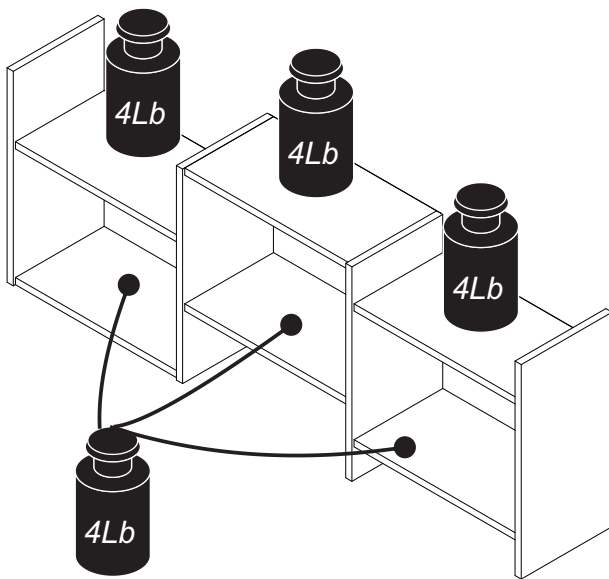
Hampton
trio floating wall shelves

Technical information

Maximum supported weight

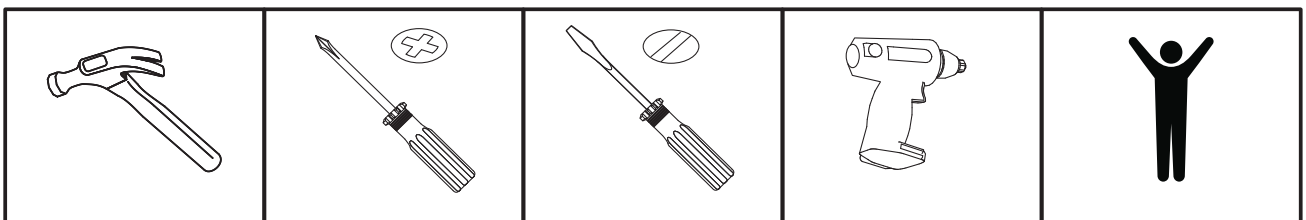
Dimension:

W: 49.04" H: 17.72" D: 8.66"

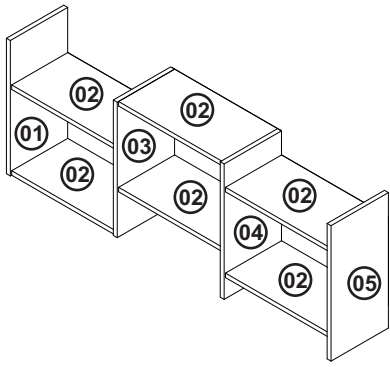


ASSEMBLY VIDEO

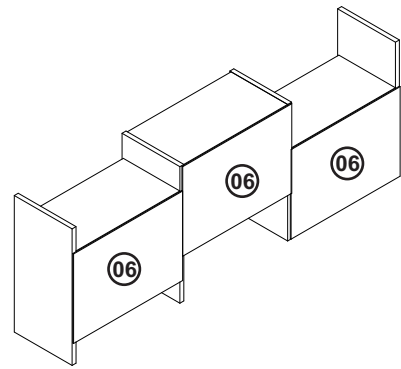
Tools needed (not included)



FRONT VIEW



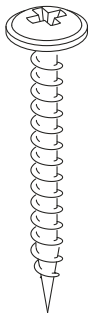
REAR VIEW



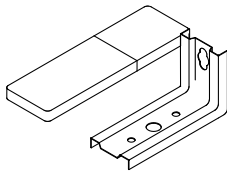
| PART | DESCRIPTION | QUANTITY |
|------|-----------------|----------|
| 01 | LEFT SIDE | 01 |
| 02 | SHELF | 06 |
| 03 | LEFT PARTITION | 01 |
| 04 | RIGHT PARTITION | 01 |
| 05 | RIGHT SIDE | 01 |
| 06 | BACK COVER | 03 |

HARDWARE

A 12x



B 03x



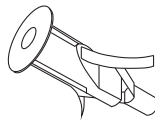
C 03x



D 06x



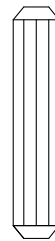
E 03x



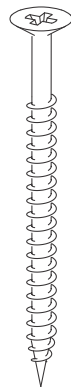
F 30x



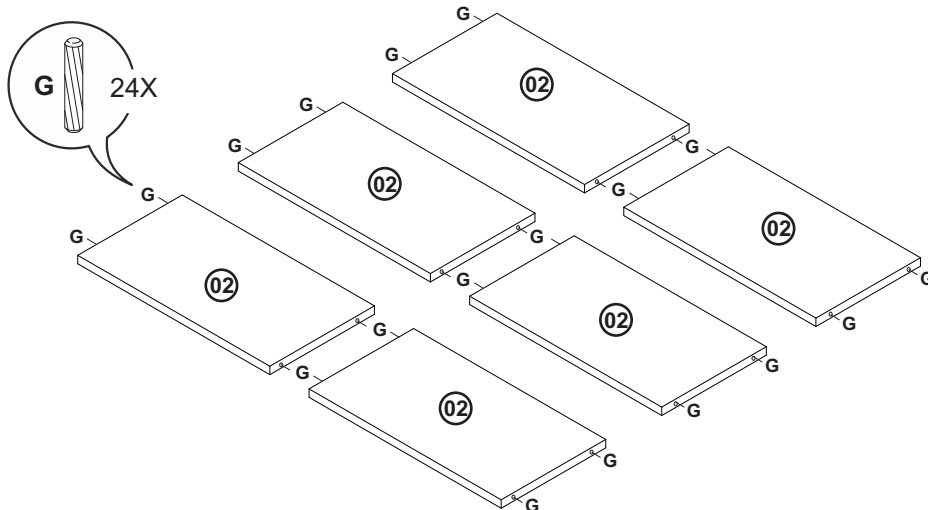
G 24x



H 03x



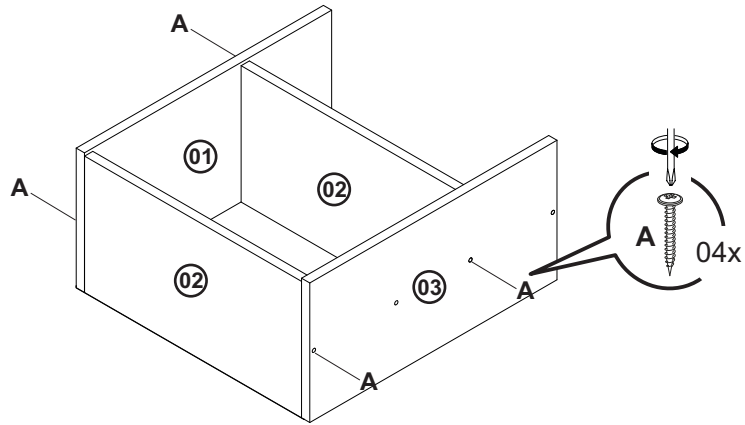
STEP 1



2

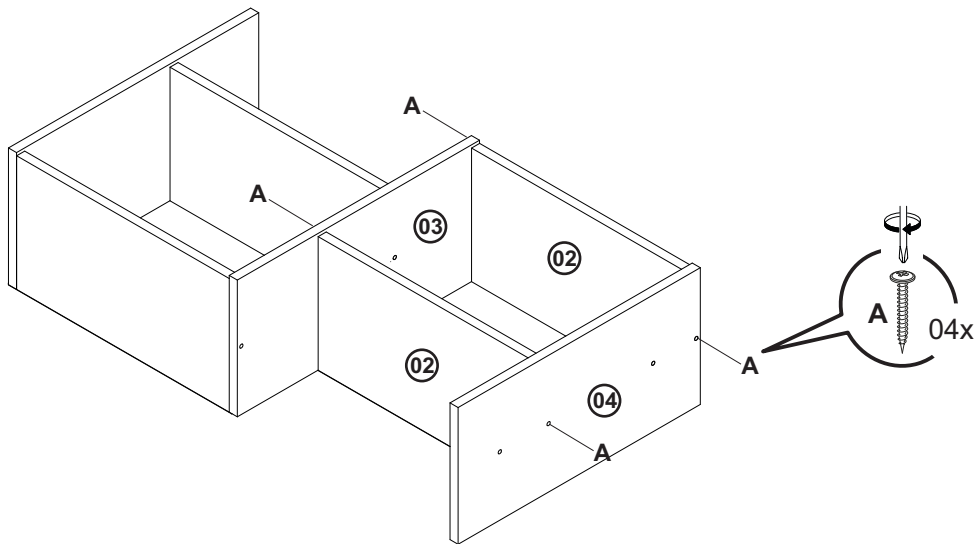
- Insert the hardware (G) in the parts (02).

STEP 2



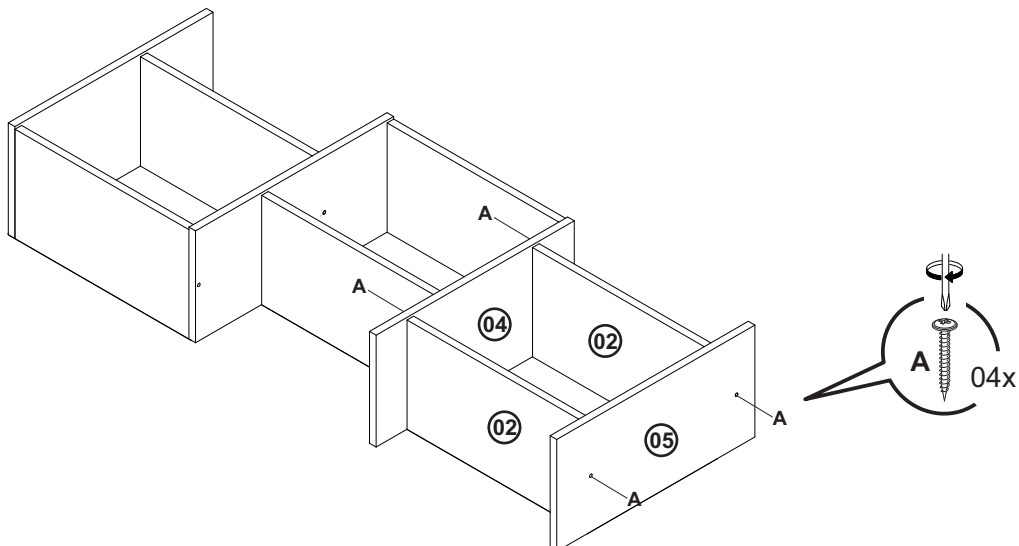
- Connect the parts (01, 02, 03) with the hardware (A).

STEP 3



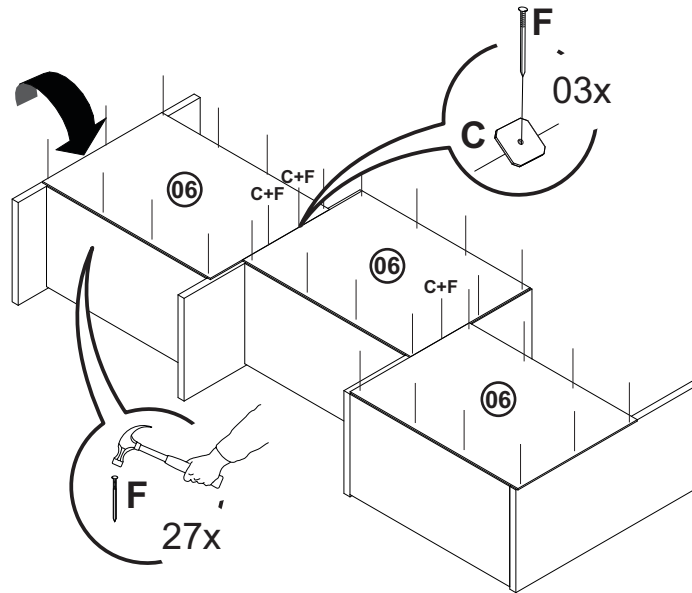
- Connect the parts (02) onto the parts (03, 04) with the hardware (A).

STEP 4



- Connect the parts (02) onto the parts (04, 05) with the hardware (A).

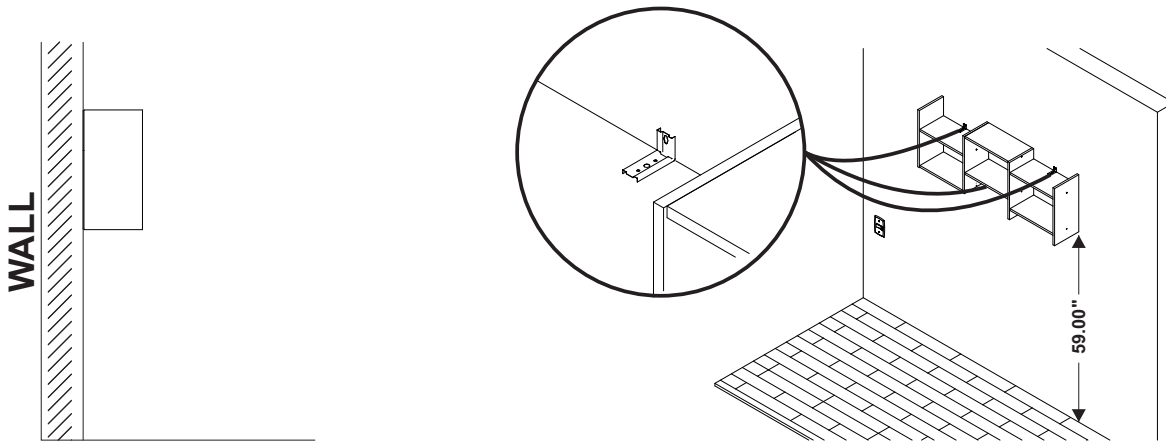
STEP 5



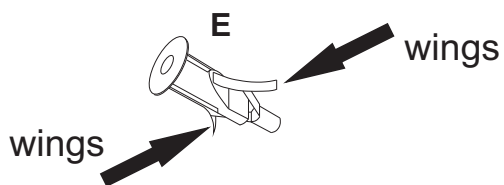
- Connect the parts (06) with the hardware (F+C).

STEP 6

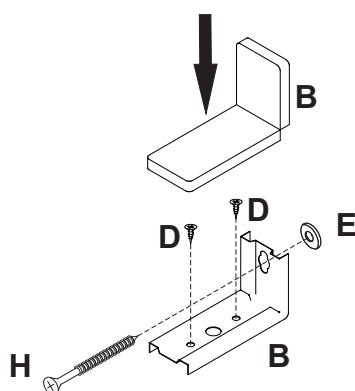
Connecting the niche on the wall



Position the hardware (B) onto the part (02) as shown in the figure. You will need a pencil to mark where you should drill the wall with a 3/8" drill bit to put in the hardware (E).



Press the hardware wings (E) to put in the hole that you drilled in the wall.



Connect the hardware (B) onto the wall with hardware (H). Then fasten with the hardware (D) the hardware (B) on the parts (02).