



# MANHATTAN COMFORT

888-230-2225

[help@manhattancomfort.com](mailto:help@manhattancomfort.com)

319 RIDGE RD, DAYTON, NJ08810, NEW JERSEY - UNITED STATES



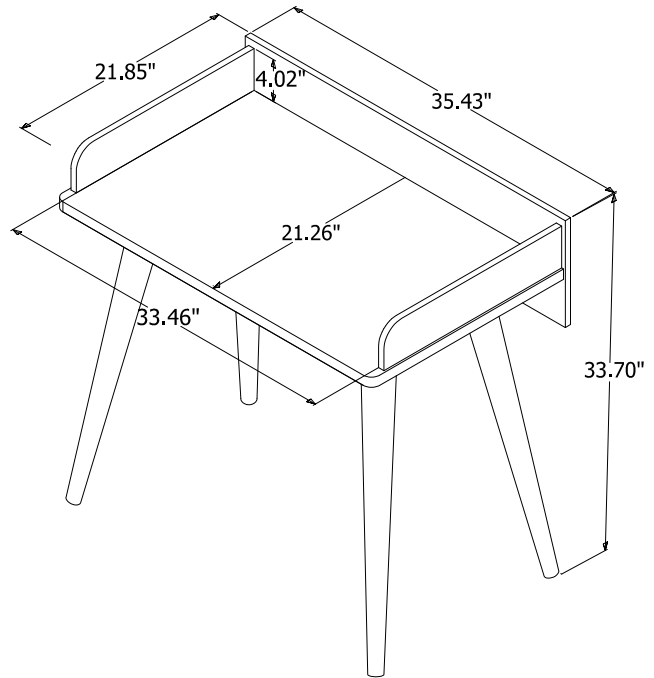
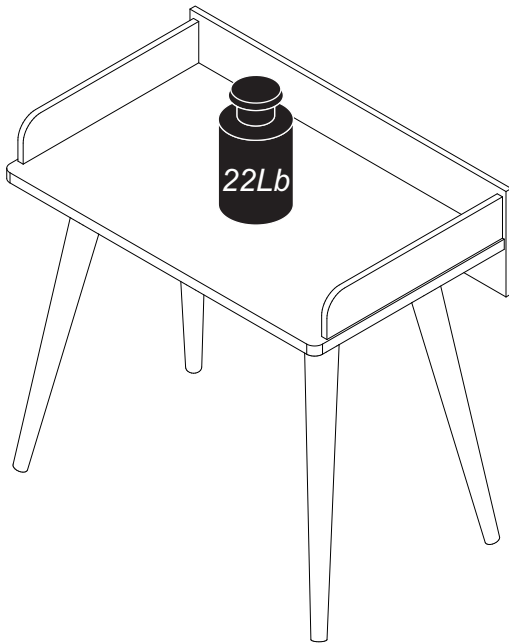
***Hampton***  
*home office desk 35.43"*

# Technical information

Maximum supported weight

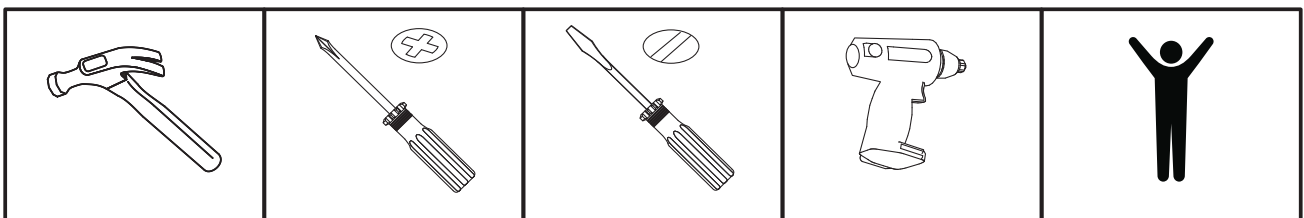
**Dimension:**

W: 35.43" H: 33.70" D: 21.85"

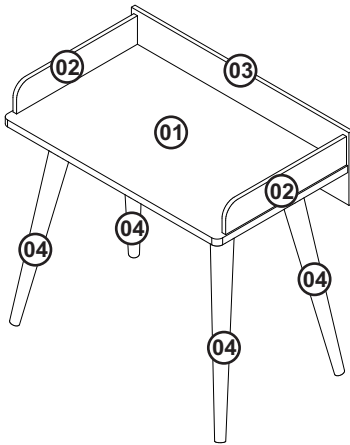


**ASSEMBLY VIDEO**

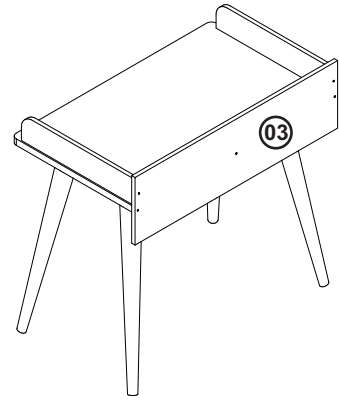
Tools needed (not included)



FRONT VIEW



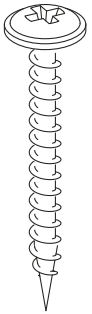
REAR VIEW



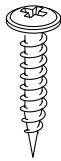
PART	DESCRIPTION	QUANTITY
01	DESK PANEL	01
02	SIDES	02
03	REAR PANEL	01
04	LEGS	04

## HARDWARE

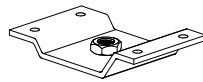
A 09x



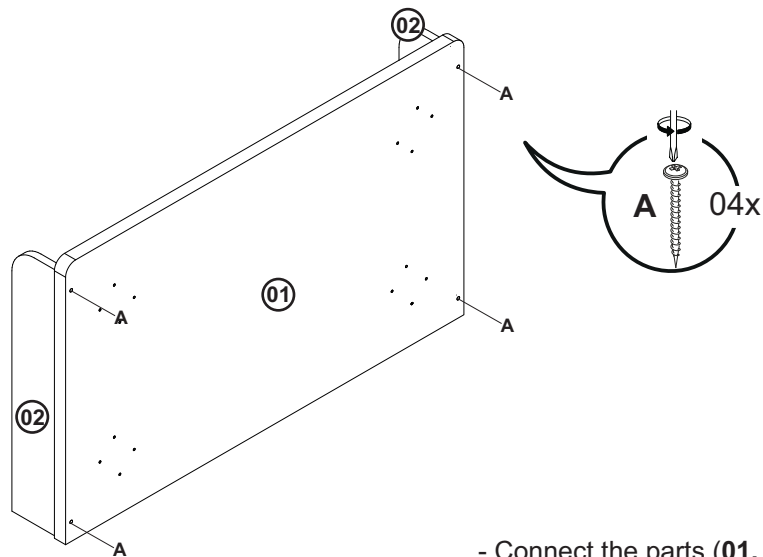
B 16x



C 04x

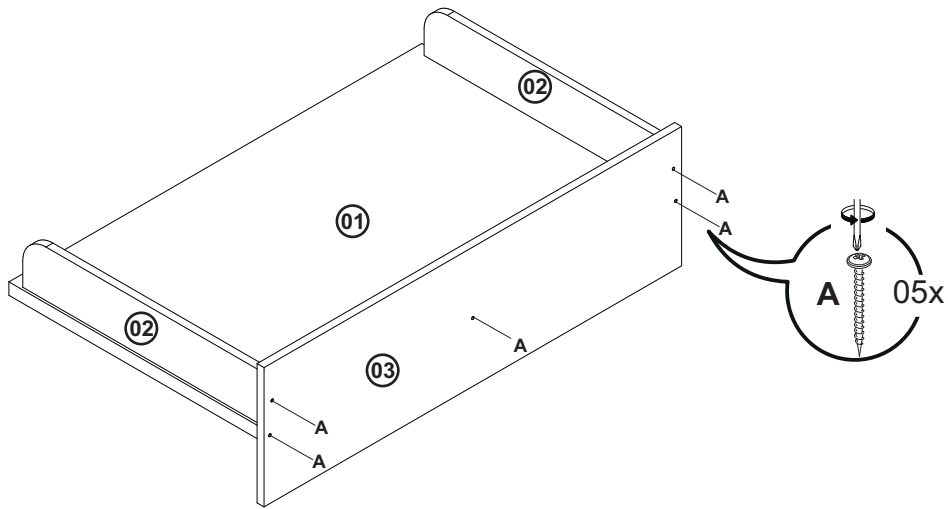


## STEP 1



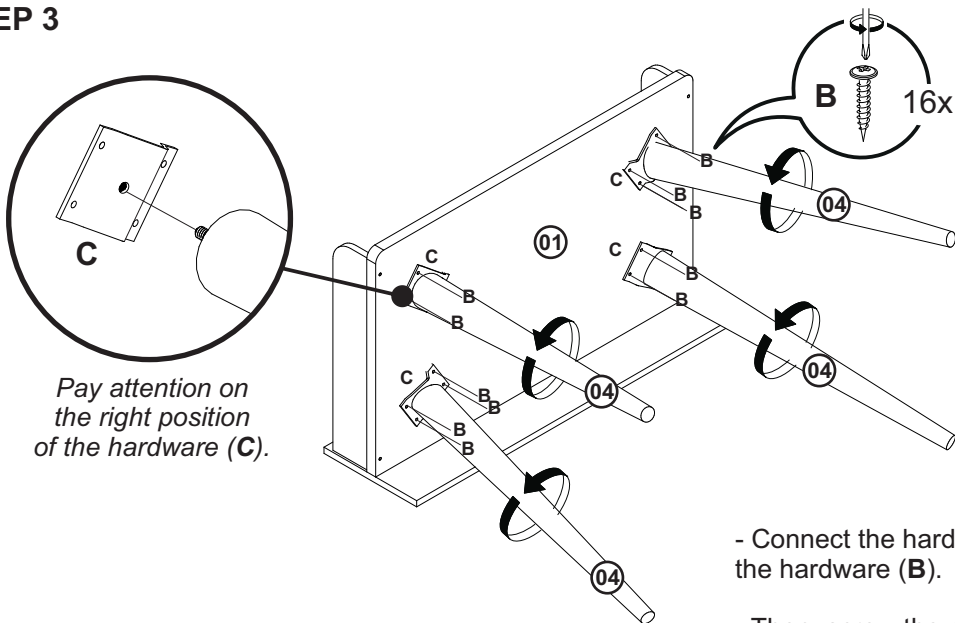
- Connect the parts (01, 02) with the hardware (A).

## STEP 2



- Connect the part (03) onto the parts (01, 02) with the hardware (A).

## STEP 3



- Connect the hardware (C) under the part (01) with the hardware (B).

- Then, screw the parts (04) into the hardware (C).

## STEP 4

