



MANHATTAN  
COMFORT

888-230-2225

*help@manhattancomfort.com*

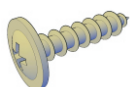


***Mulberry***

***kit door side wardrobe***

# Included in the package

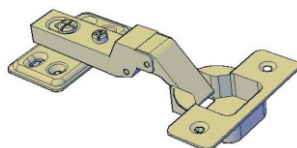
01 - Doors = 02 pieces



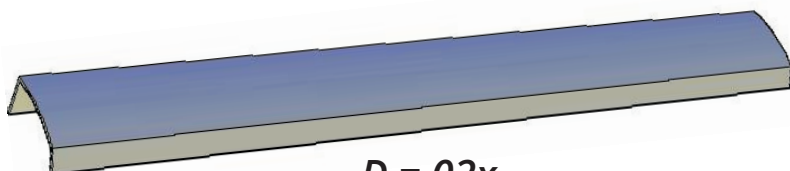
A = 36x



B = 04x

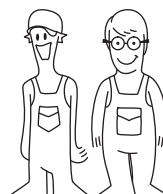
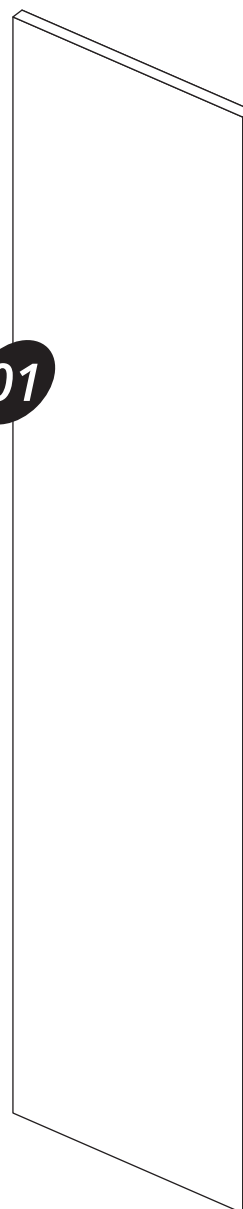


C = 06x



D = 02x

01



Tools needed  
(not included)



Phillips screw driver

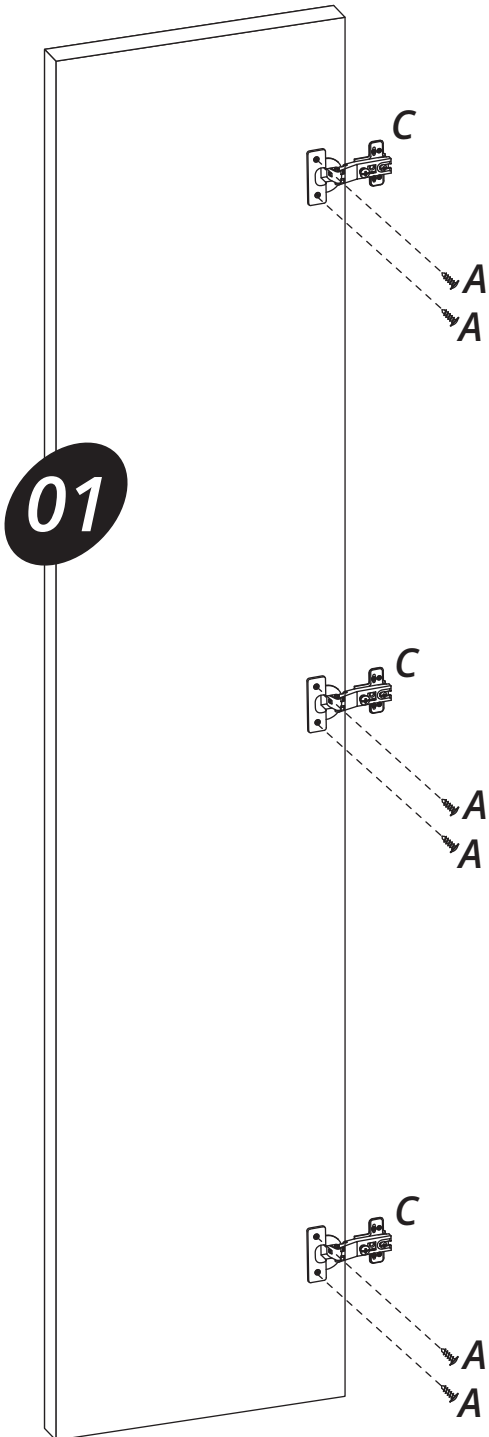


Screw driver

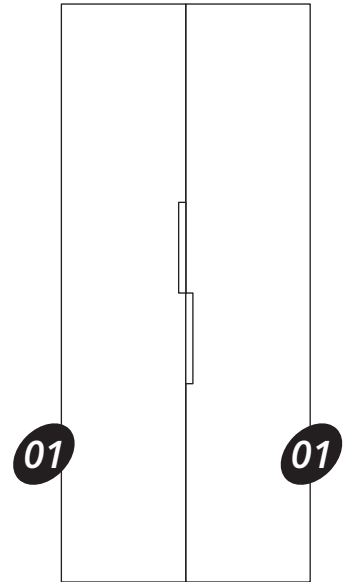
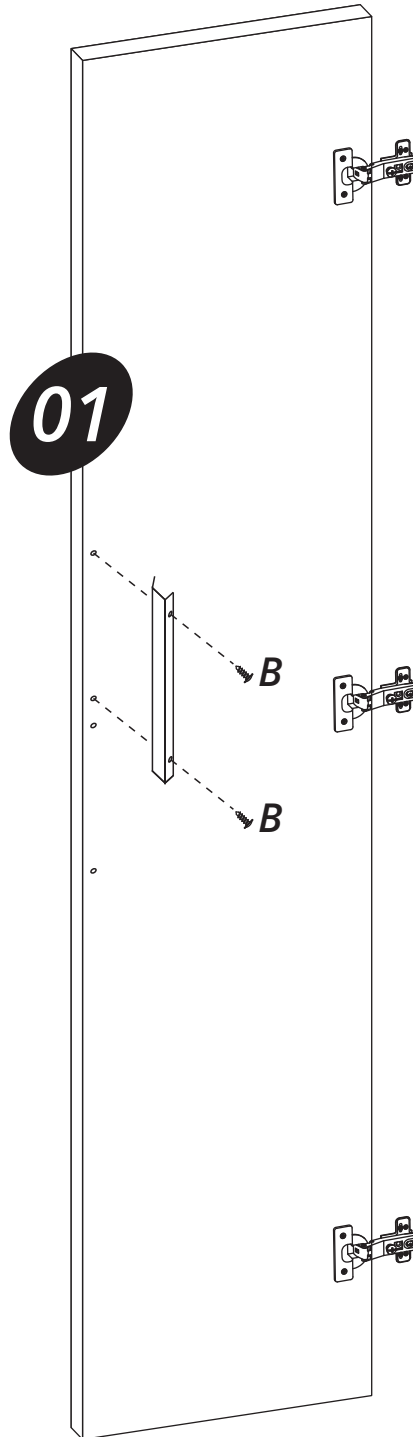
**Step 01**

*Attention to the position of the Handle (D) on the part (01).  
One up and one down.*

*Connect the hardware (C) into the part (01) with the hardware (A).*



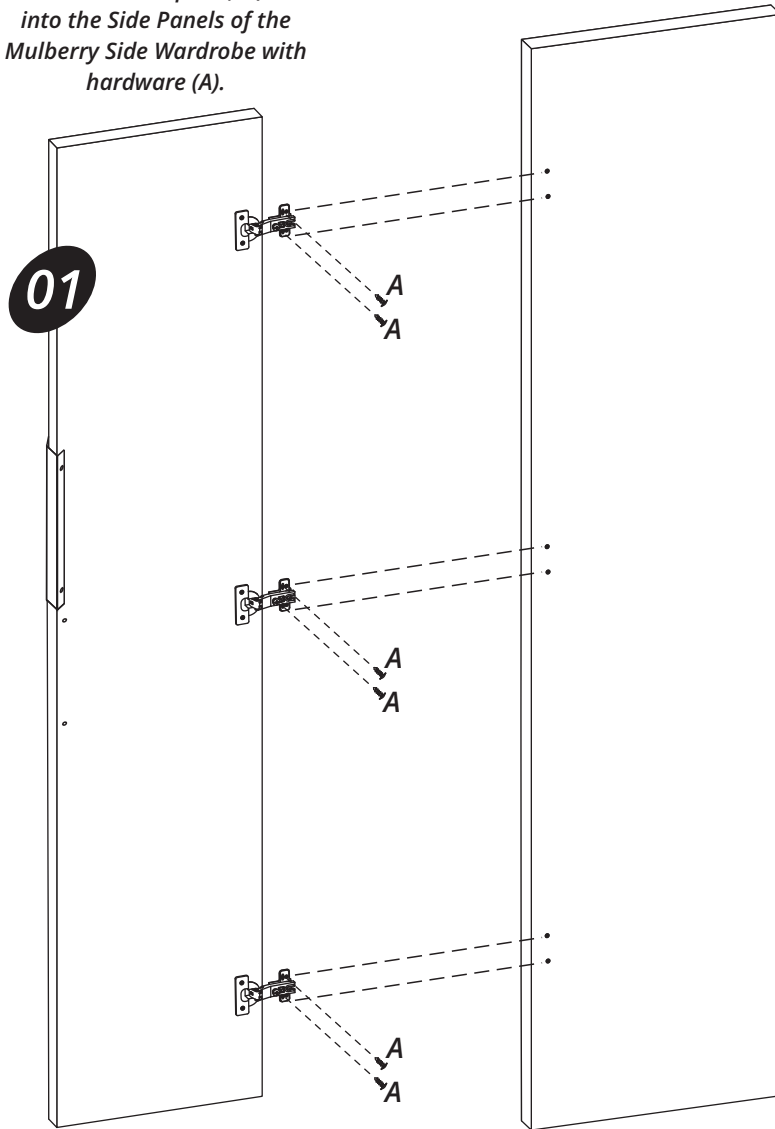
*Connect the hardware (D) into the part (01) with the hardware (B).*



**Step 02**

Connect the part (01)  
into the Side Panels of the  
Mulberry Side Wardrobe with  
hardware (A).

Side Panels of the  
Mulberry Side Wardrobe



Adjust Screw

After adjusting the Hinge  
lock with the bolts (A).

