



MANHATTAN  
COMFORT

888-230-2225

*help@manhattancomfort.com*

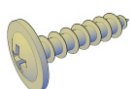


***Mulberry***

***kit door Corner wardrobe***

# Included in the package

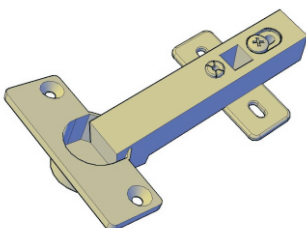
01 - Doors = 02 pieces



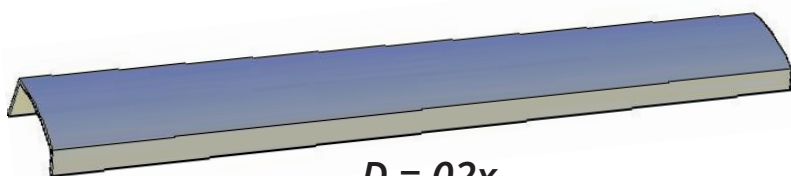
A = 24x



B = 04x

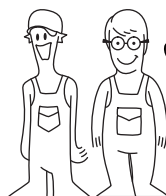


C = 06x



D = 02x

01



Tools needed  
(not included)



Phillips screw driver



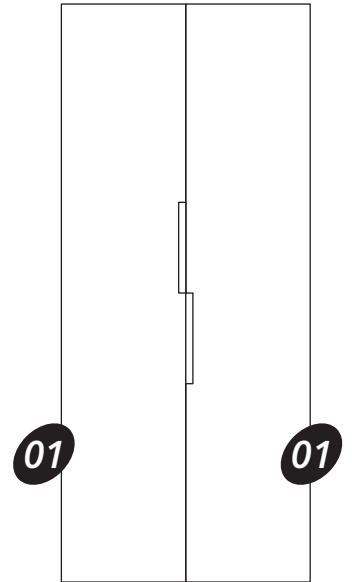
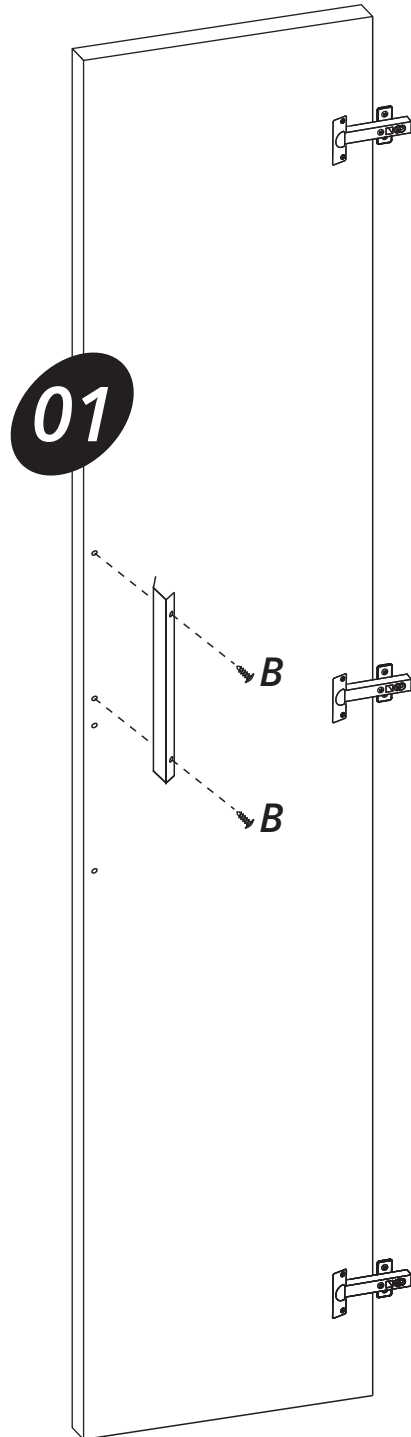
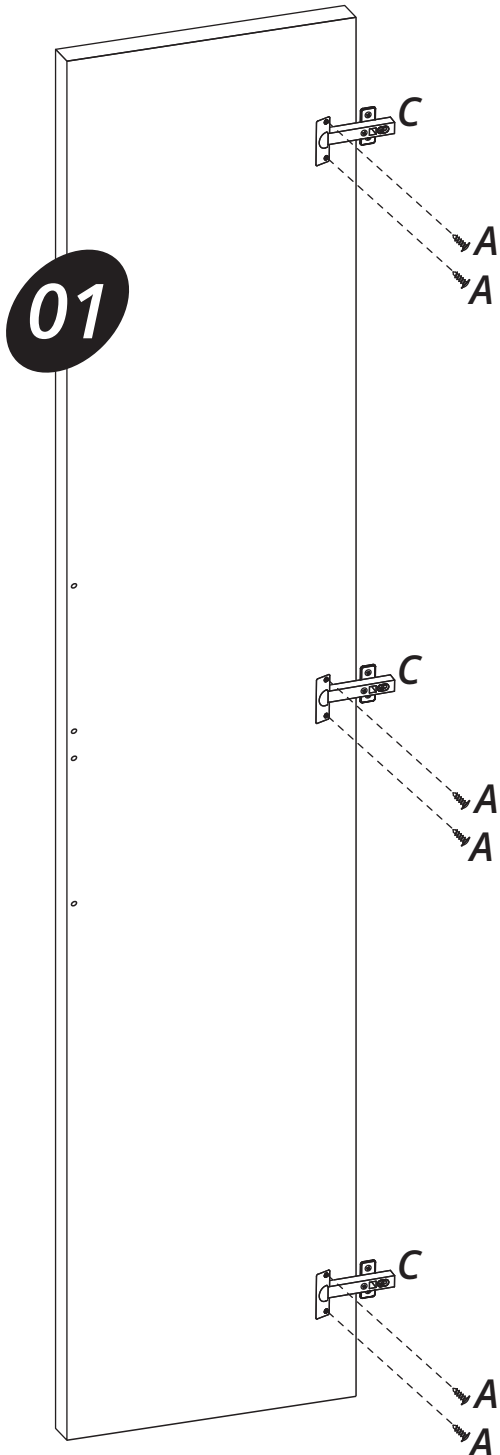
Screw driver

**Step 01**

*Attention to the position of the Handle (D) on the part (01).  
One up and one down.*

*Connect the hardware (C) into the part (01) with the hardware (A).*

*Connect the hardware (D) onto the part (01) with the hardware (B).*



## Step 02

Connect the part (01)  
into the Side Panels of the  
Mulberry Corner Wardrobe with  
hardware (A).

Side Panels of the  
Mulberry Corner Wardrobe

